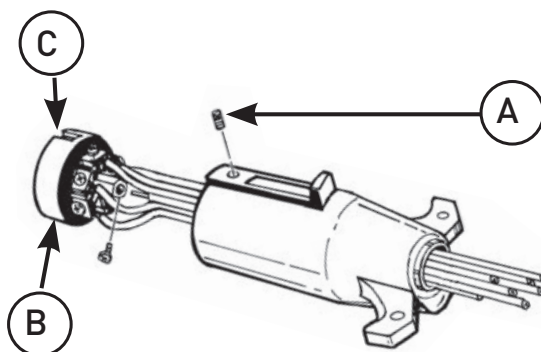


WIRE IDENTIFICATION

- (GD) = Ground
- (LT) = Left Turn
- (TM) = Taillight
- (BU) = Backup
- (AX) = Auxiliary
- (RT) = Right Turn
- (EB) = Electric Brake



INSTRUCTIONS:

1. Loosen the set screw (A) and remove the terminal assembly (B) from housing. Route wiring through housing. Strip wires 1/4" and tightly secure them to the terminal assembly. It is important to attach wires to the terminal assembly in the same positions as found on the vehicle side 7-way socket. Leave 18" of slack between tow vehicle and trailer to allow trailer to turn. Align terminal assembly keyway (C) with housing key and insert assembly into housing. Tighten set screw.
2. Plug trailer into vehicle and test all functions.

NOTE: Locate wires on vehicle by function only. Color coding is not standard with all manufacturers.