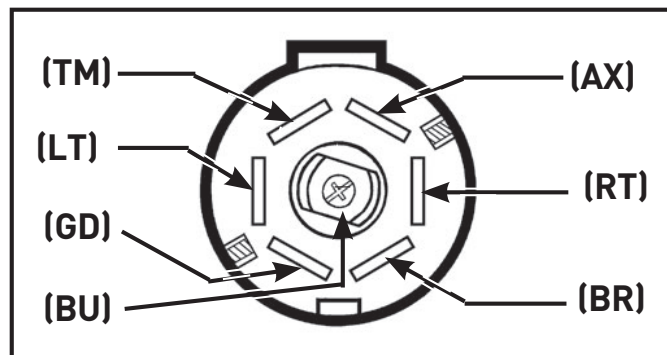
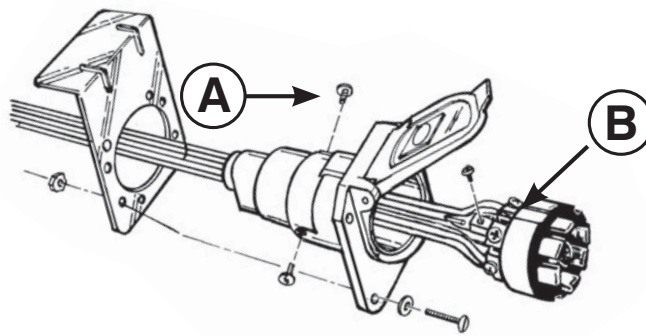


INSTRUCTIONS:

Loosen the set screw (A) on the connector and remove the socket from the housing. Route wiring through socket housing. Strip wires 1/4" and tightly secure them to socket terminals. Align socket keyway with housing key (B) and insert socket into housing. Tighten set screws.

NOTE: Locate wires on vehicle by function only. Color coding is not standard with all manufacturers.

CAUTION: Connect auxiliary power lead to fuse block or fused battery lead. 20 Amp.



WIRE IDENTIFICATION

(GD) = Ground

(LT) = Left Turn

(TM) = Taillight

(BU) = Backup

(AX) = Auxiliary

(RT) = Right Turn

(BR) = Electric Brake