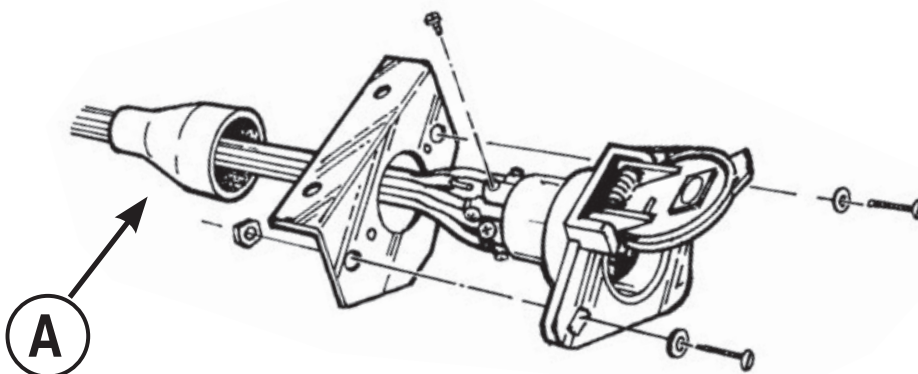
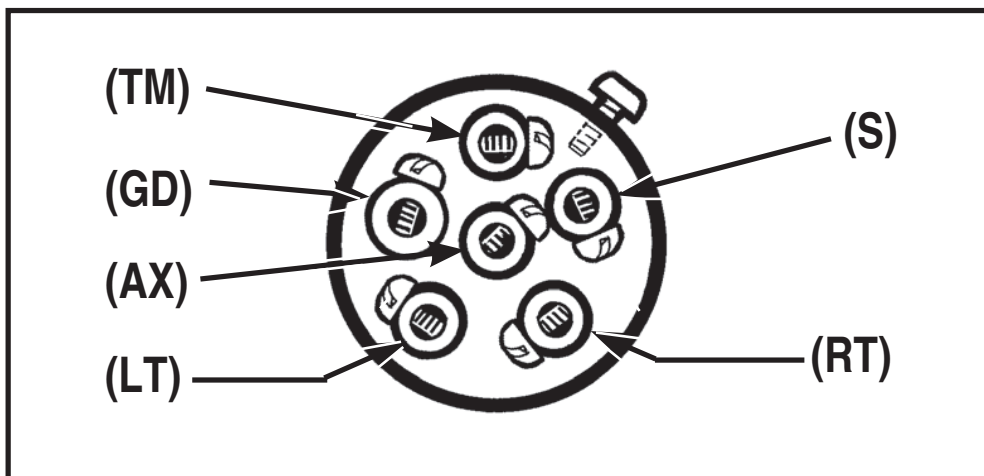


WIRE IDENTIFICATION

White	Attach to Ground (GD)
Brown	Tail / Park (TM)
Yellow	Left Turn (LT)
Green	Right Turn (RT)
Red	Auxiliary (A)
Blue	Electric Brake (S)



1. Loosen the set screw (A) on the connector and remove the socket from the housing. Route wiring through socket housing. Strip wires 1/4" and tightly secure them to socket terminals. Align socket keyway with housing key and insert socket into housing. Tighten set screws. Locate wires on vehicle by function only. Color coding is not standard with all manufacturers.