

## WIRE IDENTIFICATION

White..... Attach to Ground (GD)

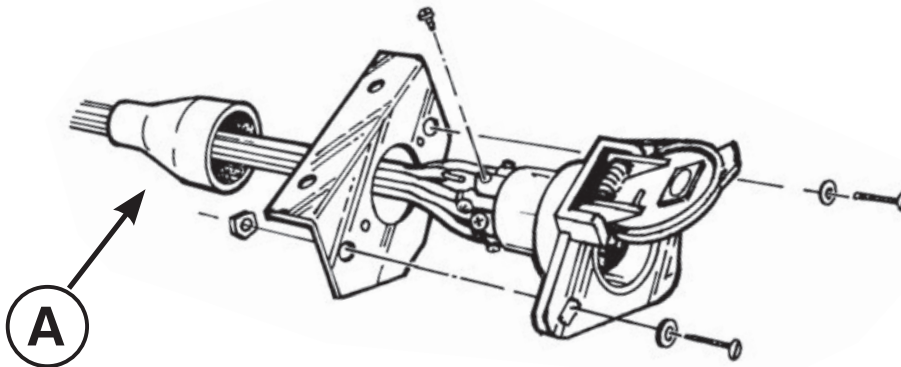
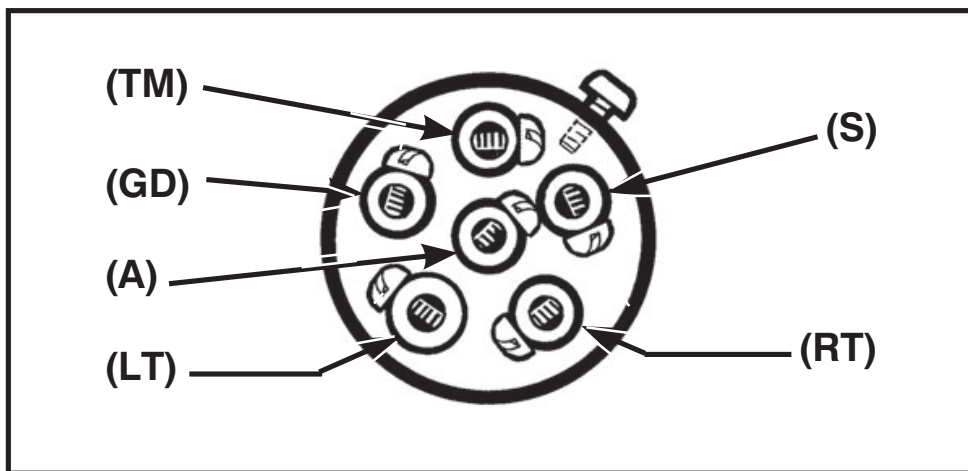
Brown..... Tail / Park (TM)

Yellow..... Left Turn (LT)

Green..... Right Turn (RT)

Red..... Auxiliary (A)

Blue..... Electric Brake (S)



1. Remove rubber boot (A) from connector. Insert wires through the rubber boot. Strip 1/4" from wire ends and tightly secure them to the connector terminals. Replace rubber boot over terminal assembly.

**NOTE:** Locate wires on vehicle by function only. Color coding is not standard with all manufacturers.