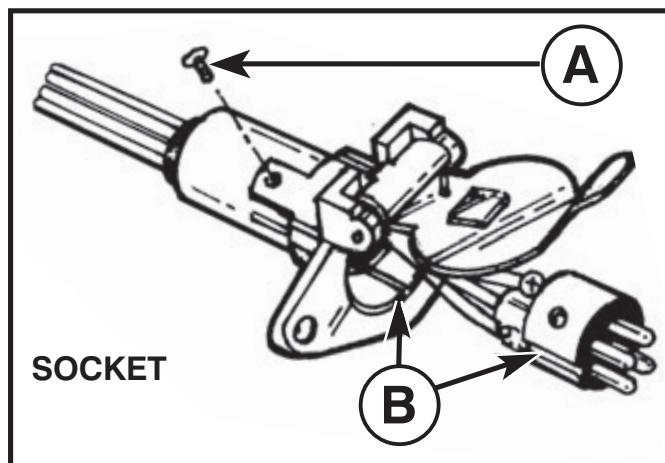


#48365



1. Loosen the set (A) screw on the vehicle end socket and remove the socket from housing. Route wiring provided through socket housing. Strip wires 1/4" and tightly secure them to socket terminals. Align socket keyway (B) with housing key and insert socket into housing.

LOCATE WIRES BY FUNCTION ONLY

White WireGround

Yellow WireLeft turn

Green WireRight turn

Brown WireTaillight