

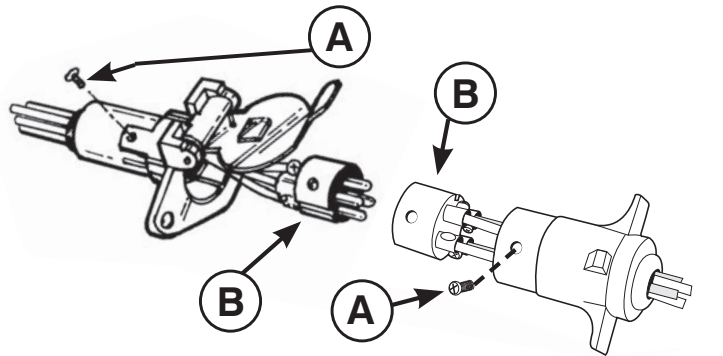
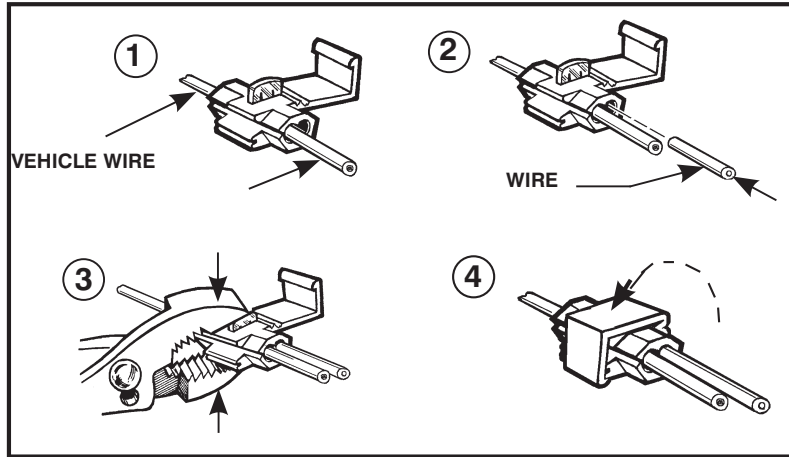
WIRE IDENTIFICATION

GREENRIGHT TURN

YELLOWLEFT TURN

BROWNTAIL / PARK

WHITEATTACH TO GROUND



1. Install mounting bracket with screws provided.
2. Loosen the set screw (A) on the vehicle end socket and remove the socket from housing. Route wiring provided through socket housing. Strip wires 1/4" and tightly secure them to socket terminals. Align socket keyway (B) with housing key and insert socket into housing. Tighten set screw.
3. Strip the wire ends 1/4" and, using the splice connectors, attach them to the corresponding function wires.
4. Mount the completed socket assembly to the bracket.
5. Loosen set screw on the trailer end plug and remove housing. Repeat procedures in Step 2 and Step 3. Leave 18" of slack between tow vehicle and trailer to allow trailer to turn. Cut off excess wires.
6. Plug trailer into vehicle and test all functions.