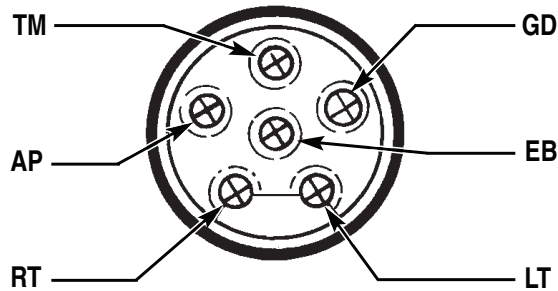
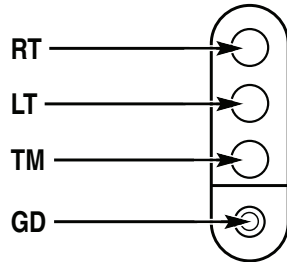
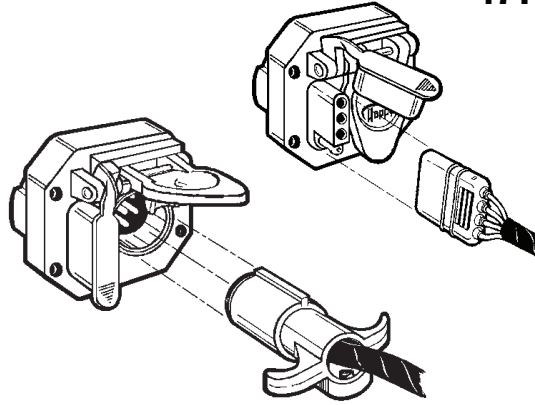


47175



GD = Ground (White)

LT = Left turn (Yellow)

AP = Auxiliary power lead (Red)
● Connect to fuse box or fused battery lead.

EB = Electric brakes (Blue)
● Attach to electric brake control.

TM = Tail (Brown)

RT = Right turn (Green)

NOTE: Locate wires and pin location by function only. Color coding is not standard among all manufacturers.

Ground the white wire to a clean surface on the vehicle frame.

Grease applied to the trailer wiring terminals on a regular basis will help prevent corrosion.

A heavy duty flasher may be required to eliminate rapid flashing.

Always unplug boat trailer connector before backing trailer into the water.