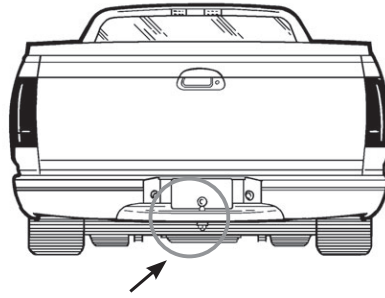
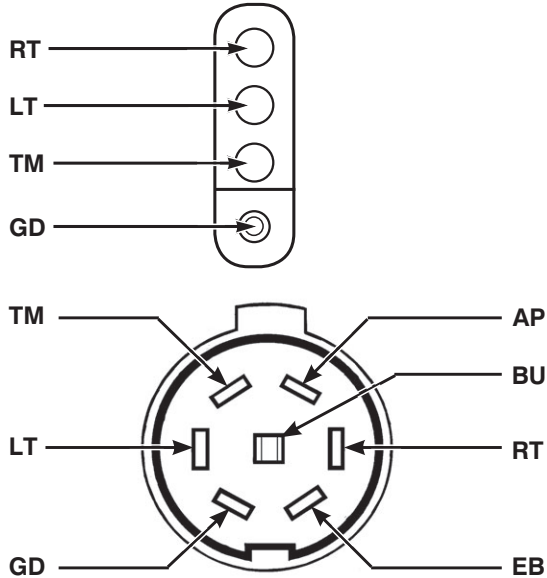


# #43385



Connector location



GD = Ground (White)

LT = Left turn (Yellow)

AP = Auxiliary power lead (Black)  
• Connect to fuse box or fused battery lead.

EB = Electric brakes (Blue)  
• Attach to electric brake control.

BU = Reverse (Purple)

TM = Tail (Brown)

RT = Right turn (Green)

**NOTE:** Locate wires and pin location by function only. Color coding is not standard among all manufacturers.

**TIPS:**

- Grease applied to the trailer wiring terminals on a regular basis will help prevent corrosion.
- A heavy duty flasher may be required to eliminate rapid flashing.
- Always unplug boat trailer connector before backing trailer into the water.