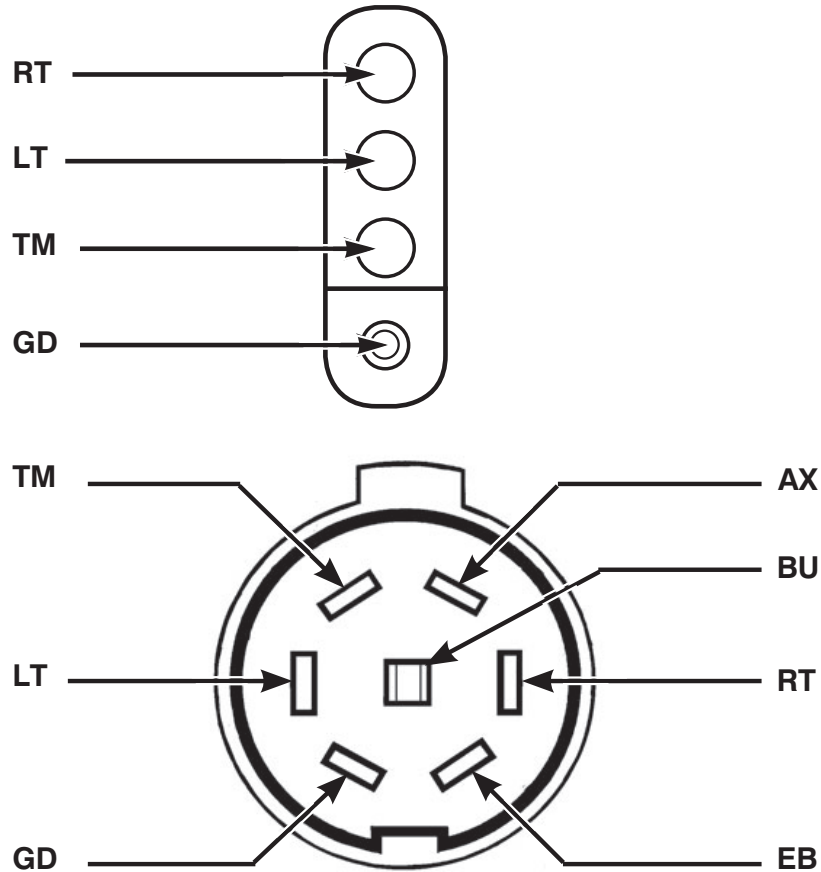


#40975



WIRE IDENTIFICATION

GD = Ground

LT = Left turn

AX = Auxiliary

EB = Electric brakes

TM = Tail

RT = Right turn

BU = Back up

- Grease applied to the trailer wiring terminals on a regular basis will help prevent corrosion.
- A heavy duty flasher may be required to eliminate rapid flashing.
- Always unplug boat trailer connector before backing trailer into the water.

TIPS* If your Nissan vehicle did not come with a factory 7-way, you must install 2 relays (#2523079945 and #2523079964), purchased from your local Nissan dealer.