



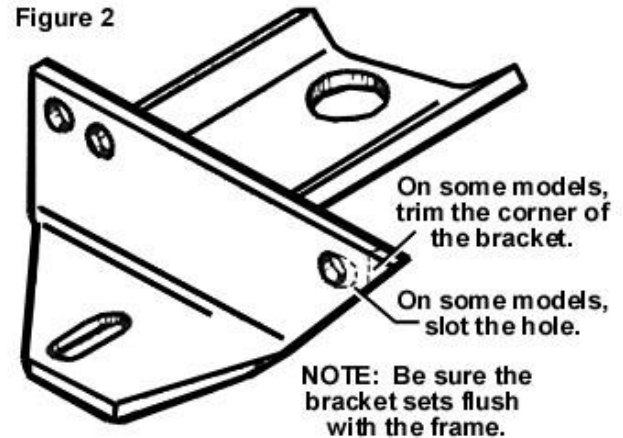
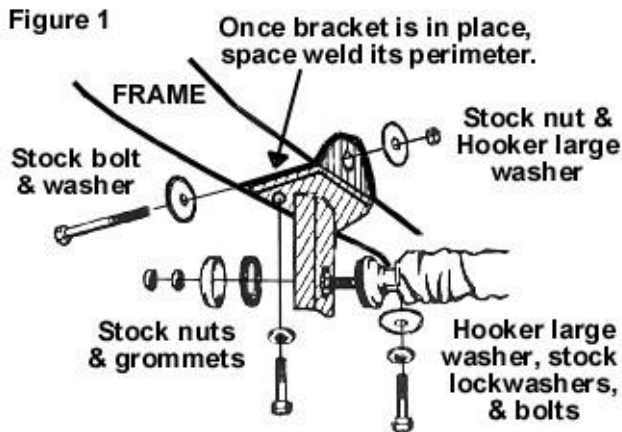
FORD POWER STEERING BRACKET

P/N 10961HKR

Thank you for making HOOKER HEADERS your choice in a high performance accessory item. HOOKER engineers have developed a power steering ram for use with HOOKER HEADERS and Ford products equipped with ram-type power steering.

1. Remove the power steering ram.
2. Position the HOOKER bracket and attach to the frame, according to Figure 1.
3. Attach the ram to the bracket with the stock hardware.
4. The HOOKER bracket may require trimming to fit some models. See Figure 2.

It was observed during the engineering and design of our power steering bracket, that some of the vehicles used showed excessive frame stress in the area of the original power steering bracket. This eventually could allow the bracket to work loose from the frame. Therefore, after the installation of your HOOKER bracket, we recommend space welding its perimeter for maximum strength in this area. See Figure 1.



LIMITATION OF LIABILITY – DISCLAIMER:

The regulation of emissions production, noise levels, and safety standards is undertaken by the federal government, each of the fifty state legislatures, and by many local municipalities, towns, and counties.

HOOKER Industries makes no warranties of merchantability, of fitness for particular purpose, or that its products are approved for general use, or that its products are approved for general use, or that its products comply with laws, regulations, or ordinances in the state where they may be sold to the ultimate purchaser, the consumer.

Unless expressly stated to the contrary in the catalog, instruction sheet; or price list, the entire risk as to the conformity of any company product in any such state and as to repair should the product prove to be defective or non-conforming, is on the retail purchaser, the buyer, the ultimate consumer, of such product and it is not upon the seller, distributor, or manufacturer.

In this connection, the retail purchaser, the buyer, the ultimate consumer assumes the burden of the entire cost of any and all necessary service, alterations, or repair.