



**Transmission Polyurethane Mount - GM  
71223029HKR & 71223030HKR  
Installation Instructions**



Thank you for choosing to use the Hooker BlackHeart™ transmission mount as part of your performance vehicle project. Please read thoroughly and understand these instructions before attempting installation.

**PRE-INSTALLATION CONSIDERATIONS:**

These polyurethane transmission mounts may be used as a direct replacement for stock GM rubber mounts that measure 1.75" in height. Replacement of mounts with a greater height than 1.75" can be accommodated with the use of shim washers between the crossmember and the mount.

The polyurethane construction is capable of high horsepower applications while preserving vibration dampening and the safety interlock design of the inner components ensures that even if the polyurethane fails the mount will not separate. These polyurethane mounts are capable of fitting either a one or two stud type of crossmember interface.

**BEFORE BEGINNING:**

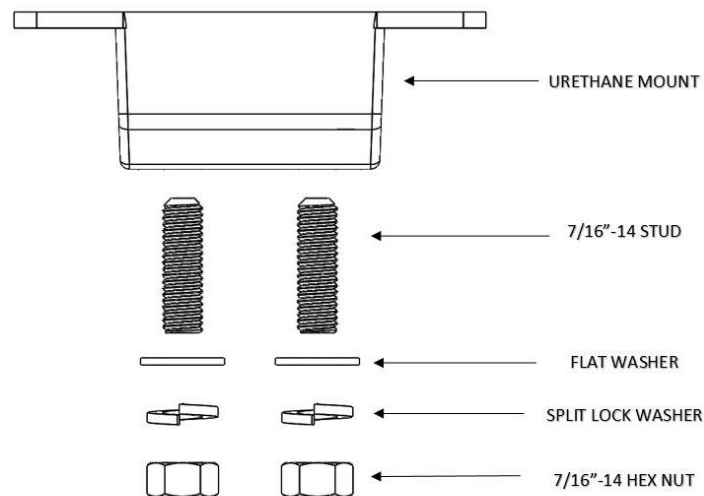
Check that the package contains the following hardware:

71223029HKR	
Qty.	Description
1	Black Polyurethane Transmission Mount
2	7/16"-14 x 1.5" Studs
2	7/16"-14 Hex Nuts
2	Flat Washers
2	Lock Washers

71223030HKR	
Qty.	Description
1	Red Polyurethane Transmission Mount
2	7/16"-14 x 1.5" Studs
2	7/16"-14 Hex Nuts
2	Flat Washers
2	Lock Washers

## **INSTALLATION:**

1. Determine if your application requires a one or two stud crossmember interface. Install the supplied stud(s) (7/16"-14 x 1.5") into the appropriate threaded holes in the polyurethane mount with a 7/32" hex key. If no hex key is available, the studs can also be installed into the mount by "double nutting" the end of the stud with the supplied hex nuts. Install the stud(s) until firmly seated in place.
2. Install the mount onto the crossmember with hardware provided (shown in **Figure 1**). Do not tighten the hex nuts at this time.
3. Install the factory transmission bolts (user supplied). Do not tighten the bolts at this time.
4. Confirm alignment of the polyurethane mount with the transmission and crossmember. Tighten and torque the transmission bolts to factory torque specifications. Also tighten and torque the crossmember hex nut(s) to 49 ft./lbs.



**Figure 1**

## **LIMITATION OF LIABILITY – DISCLAIMER:**

HOOKER™ BLACKHEART makes no warranties of merchantability, of fitness for particular purpose, or that its products are approved for general use, or that its products comply with laws, regulations, or ordinances in the state where they may be sold to the ultimate purchaser, the consumer.

Unless expressly stated to the contrary in the catalog, instruction sheet, or price list, the entire risk as to the conformity of any company product in any such state and as to repair should the product prove to be defective or non-conforming, is on the retail purchaser, the buyer, the ultimate consumer, of such product and it is not upon the seller, distributor, or manufacturer.

In this connection, the retail purchaser, the buyer, the ultimate consumer assumes the burden of the entire cost of any and all necessary service, alterations, or repair.