

***Homak***  
**professional**



**UPPER TOOL CHESTS AND ROLLING TOOL CARTS  
WITH BALL BEARING DRAWER GLIDES**

MANUAL



**CAUTION:**

Read all instructions and safety tips before using this product.

***Homak***  
**professional**

**UPPER TOOL CHESTS AND ROLLING TOOL CARTS  
WITH BALL BEARING DRAWER GLIDES**

**UPPER CHEST MODELS:**

**Drawer Instructions:**

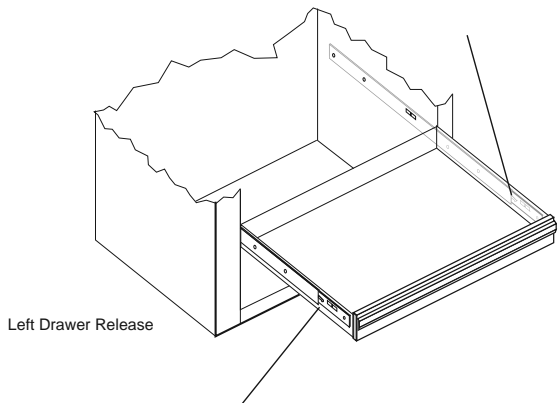
- Top Lid must be unlocked and in the "up" position to allow the drawers to open.
- All drawers must be shut before closing the lid. Locking mechanism will not work correctly if top lid is already shut, and forcing drawers shut while lid is in the closed position may damage the drawers and locking mechanism.

---

**REMOVING AND INSTALLING DRAWERS:**

- Empty drawer of its contents.
- Pull out the drawer all the way.
  - LEVER STYLE: Lift or lower the lever on both sides of the drawer, then pull drawer forward while holding the levers.
  - TAB STYLE: Press the release tab on both sides and then pull out drawer while tabs are depressed.
- To reinstall drawer, line up slides and push drawer until it stops.

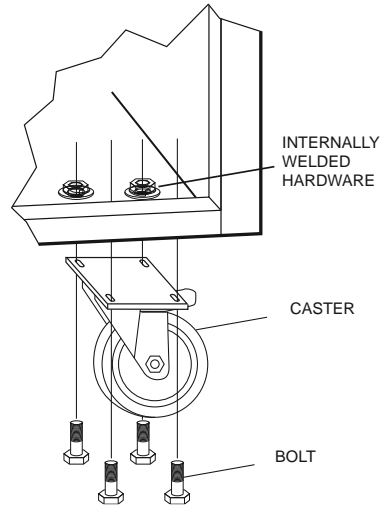
Right Drawer Release



**ROLLING CABINET MODELS:**

**Installing Casters:**

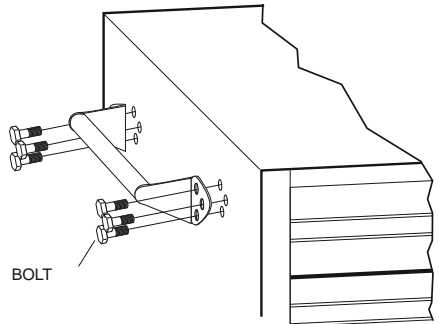
- Our Roller Carts are supplied with 4 casters, 2 fixed and 2 swivel type casters. Use all hardware supplied to attach the casters to the rolling cart for stability.
- Be sure to install the swivel casters on the same side as the side handle to ensure easier maneuverability of the cart.



---

**Handle Assembly:**

- Attach Handle with the supplied hardware.
- Be sure to install the swivel casters on the same side as the side handle to ensure easier maneuverability of the cart.





**SAFETY WARNINGS:**

**WARNING:**

- 1) Evenly distribute tool weight among drawers. Never overload drawers.
- 2) Only use one drawer at a time to prevent tipping.
- 3) Do not pull or tow unit. Push unit by hand to move.
- 4) Maintain control of unit while moving.
- 5) Never use any drawer as a step.
- 6) Do not try to pull or push unit up or down grade at any time.
- 7) Wear safety glasses when working on this unit. Tool may slip causing personal injury.
- 8) On upper chests, make sure top lid is in locked position to prevent accidental closure and injury.
- 9) Close lid and/or lock drawers on unit while moving, to prevent them from opening during motion. Tipping of the unit can occur.
- 10) Empty drawers before working on this unit, or installing or removing unit parts.