



Installation Instructions  
**717433**  
2007-14 TOYOTA FJ CRUISER  
4.0L V6 ENGINE

**OVERVIEW:**

1. Take a moment to read and understand these instructions before installing your Flowmaster performance system.

**NOTE:** Please inventory all parts now before continuing and if necessary, report any missing items to our tech line. This will avoid potentially stranding your vehicle until any missing replacement parts arrive.

ITM #	PART #	DESCRIPTION	QTY.
1	86658M	Inlet Pipe Assembly	1
2	71416-Z	Muffler	1
3	86659M	Over-Axle Pipe Assembly	1
4	86660M	Exit Pipe Assembly	1
N/A	PK1037	Hardware Package includes:	1
5	MC250BS	2½" Stainless Band Clamp	3
6	HW231	M10 x 1.25 x 65mm Cap Bolt	2
7	HW303	¾" Flat Washer	2
8	HW506	¾" x 1½" Steel Spacer	2

**REMOVE STOCK EXHAUST SYSTEM:**

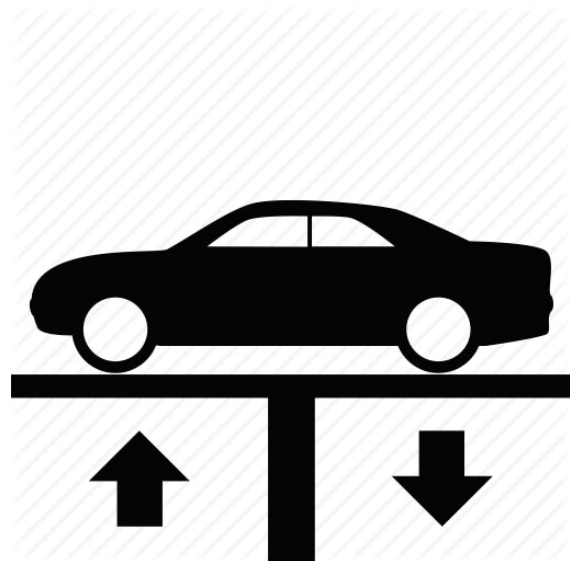
2. Raise vehicle up on a hoist or rack to working height. If you don't have access to a hoist or rack, support vehicle with jack stands.

**WARNING:**

Avoid serious burns! Allow your vehicle time to cool completely before touching any factory engine components.

**To ease preparation and installation of your new kit:**

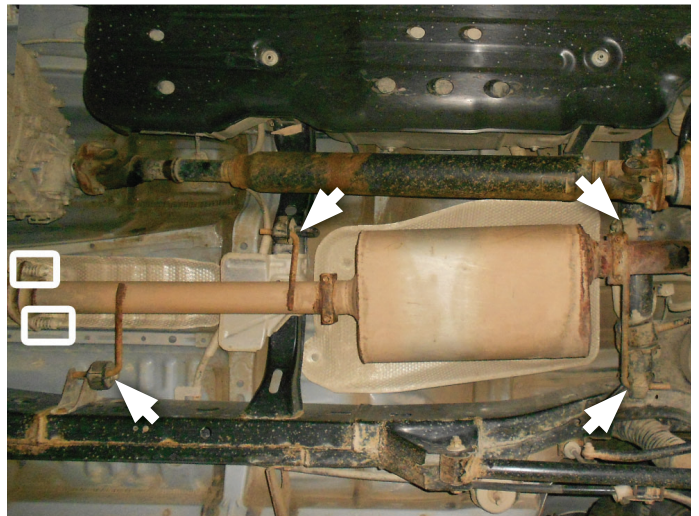
- Apply penetrating lubricant to mounts, bolts and clamps before you remove them.
- Use stands as necessary to support parts as you detach them from your vehicle and again as you install new parts.



3. Cut tailpipe at muffler exit, then separate wire hangers from isolators and remove tailpipe from vehicle.



4. Remove bolts from front flange connection and retain (x2) springs for later use. Separate wire hangers from isolators and remove muffler assembly from vehicle.



## INSTALL FLOWMASTER EXHAUST SYSTEM

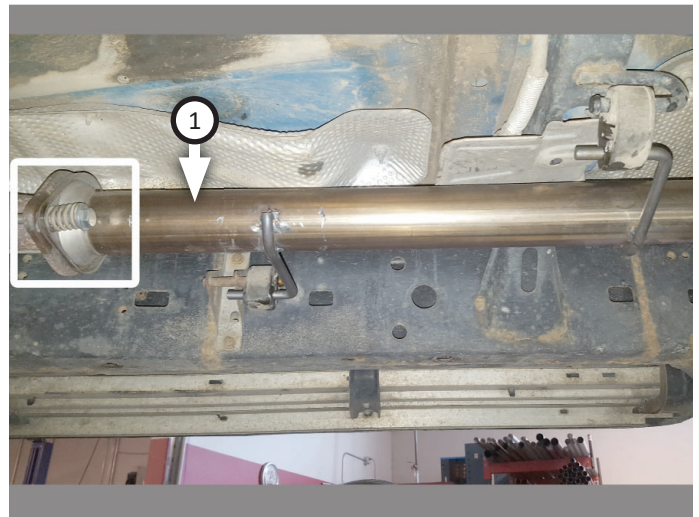
5. Remove nuts from stock and Flowmaster clamps, apply anti-seize compound to bolts and re-install nuts.

**NOTE:** The image in this step is intended for illustrative purposes only and may or may not accurately reflect components included in your kit.

6. Every slip fit connection in this kit must seat 3" deep except for muffler connections which must seat 2" deep. Find all slip fit components in your kit and mark them accordingly so your Flowmaster exhaust system fits properly onto your vehicle.



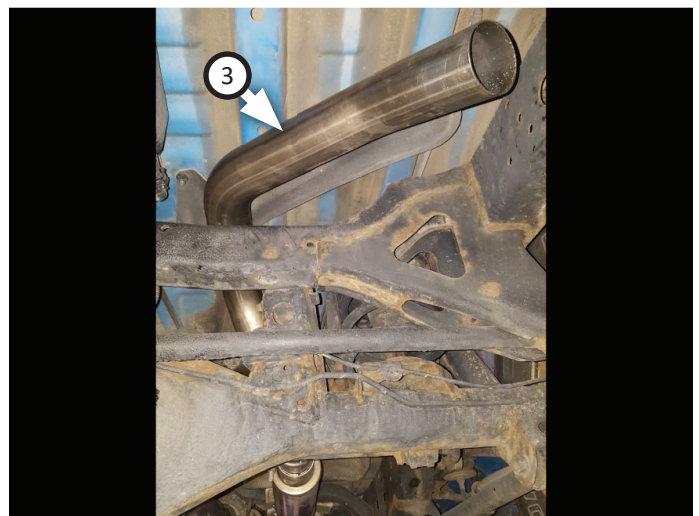
7. Connect **inlet pipe (1)** to factory exhaust with (x2 ea.) **bolts (6)**, springs (removed step 4) **flat washers (7)** and **spacers (8)** then hang it in place by inserting hangers into isolators.



8. Place **clamp (5)** onto **muffler (2)** then connect it to inlet pipe. Tighten clamp just enough to allow for adjustment then place another **clamp (5)** onto muffler outlet.



9. Connect **over-axle pipe (3)** to muffler, insert (x2) wire hangers into isolators then tighten clamp just enough to allow for later adjustment.





10. Place **clamp (5)** onto **exit pipe (4)** then connect it to over-axle pipe. Insert wire hanger into rubber hanger then tighten clamp just enough to allow for later adjustment.



11. Adjust exhaust components for fit; maintaining  $\frac{1}{2}$ " clearance and compensating for suspension, travel and vibration, then tighten all clamps.
12. Recommended: Secure slip-fit connections with a 1-inch tack weld then spray high-temp paint over each weld to prevent rust and premature corrosion.

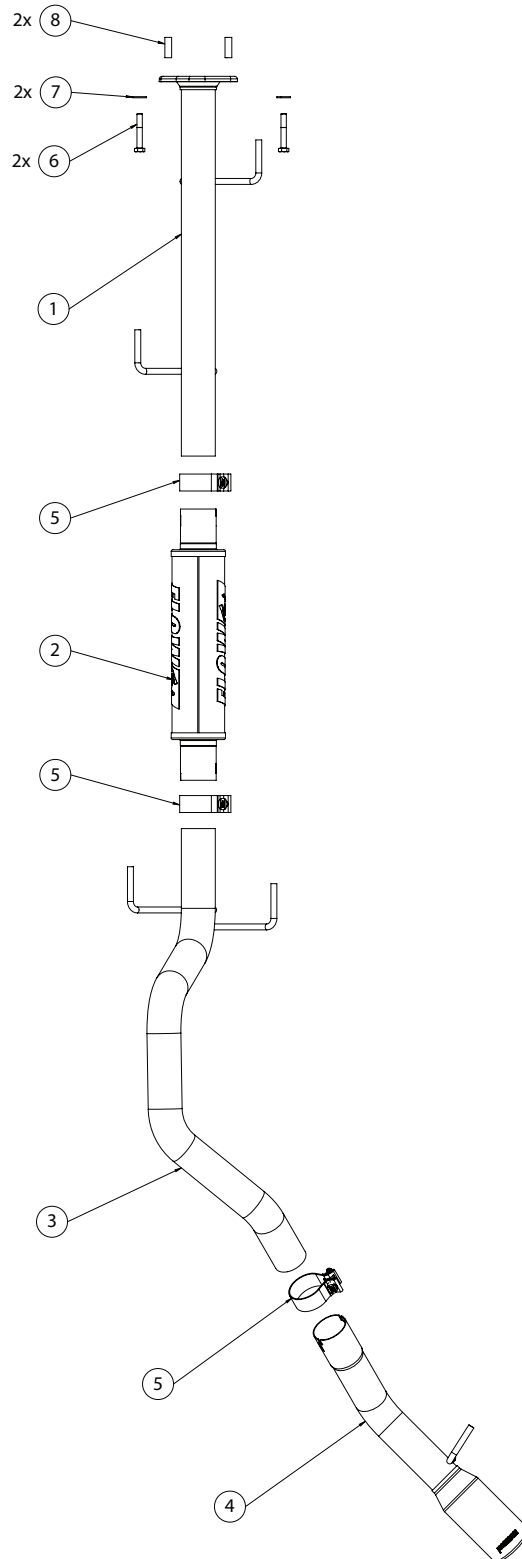


Congratulations, the installation of your FLOWMASTER performance exhaust system is now complete!





Installation Diagram  
**717433**  
2007-14 TOYOTA FJ CRUISER  
4.0L V6 ENGINE



Discover other performance exhaust systems on our website.