

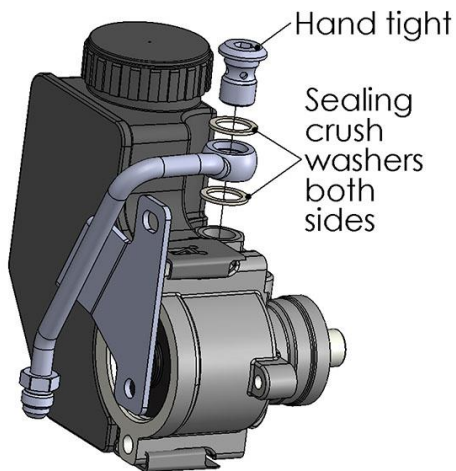


Low LS P/S Type II Pres Hardline 198-202

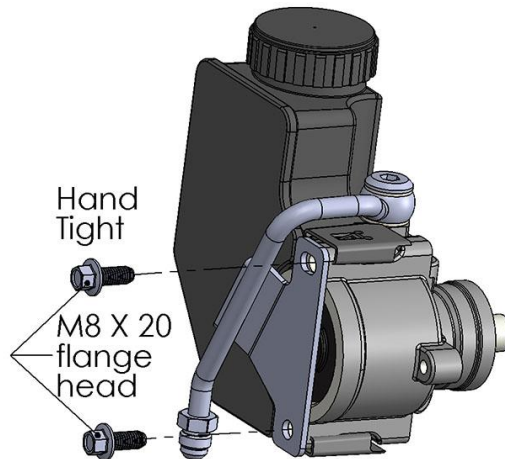


Contents:	
Qty.	Description
2	Bolt – M8 x 1.25 x 20 Flange Head
1	Banjo Bolt
2	Crush Washer
1	Tube Assembly
1	Instruction Sheet

Step One



Step Two



Step Three

Torque all bolts

NOTE: Torque M8 bolts to 18 ft./lbs. and banjo bolt to 25 ft./lbs.