



Rebuild and Adjustment Manual for Models 2010, 2300, 4010, 4011, 4150, 4160, 4165, 4175, and 4500

WARNING! These instructions must be read and fully understood before beginning installation. Failure to follow these instructions may result in poor performance, vehicle damage, personal injury, or death. If these instructions are not fully understood, installation should not be attempted.

TABLE OF CONTENTS:

| | |
|--|---|
| Read This First | 2 |
| Locating the List Number | 2 |
| Disassembly | 3 |
| Cleaning and Care | 3 |
| Reassembly | 3 |
| Special Instructions for all Carburetors | 3 |
| Special Instructions for Models 2300, 4150, 4160, 4165, and 4175 | 4 |
| Special Instructions for Models 2010, 4010, and 4011 | 4 |
| Special Instructions for Models 4165 and 4175 | 5 |
| Special Instructions for Model 4500 | 5 |
| Carburetor Adjustments | 6 |

READ THIS FIRST:

This is a typical view type instruction sheet for different carburetor models, which will show more parts than are required for any one specific model. This kit may also contain universal part assortments, resulting in throw away or an excess in the number of parts that are actually required for servicing any one carburetor. In the case of duplicate gaskets or parts, compare with old pieces. When reassembling the carburetor, use the adjustment specification list to make the necessary adjustments for the list number of your carburetor.

Throughout this instruction sheet, there will be **WARNINGS** and **NOTES**. Please read these, as they contain valuable information that can save you time and money. It is our intent to provide the best possible products for our customers: products that perform properly and satisfy your expectations. Should you need information of parts assistance, please contact our technical service department. Please have the part number of the product you purchased when you call.

LOCATING THE LIST NUMBER:

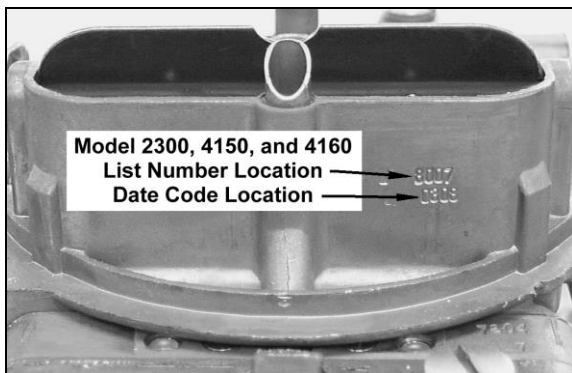


Figure 1

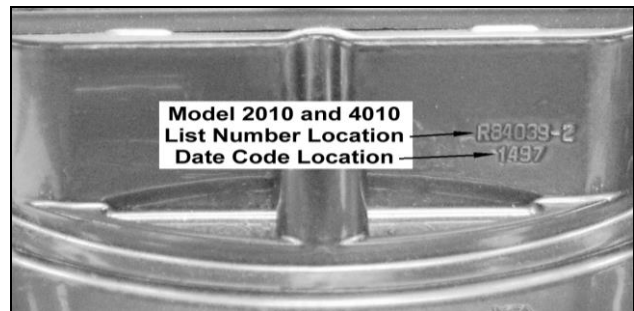


Figure 2

The List number for a Model 2010, 2300, 4010, 4011, 4150, 4160, 4165, or 4175 carburetor can be found on the **right side of choke air horn**. The List number for the 4500 can be found on the top of the main body casting. Below the list number is a date code that will contain no more than four (4) digits. See Figures below.

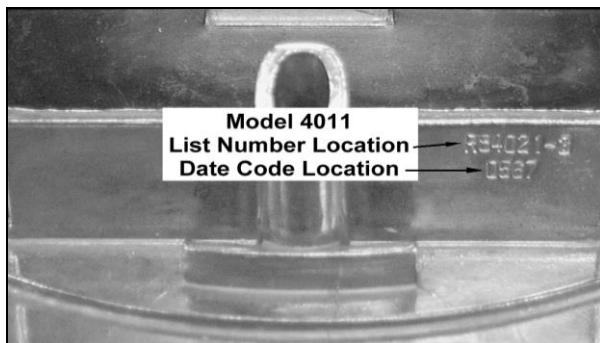


Figure 3

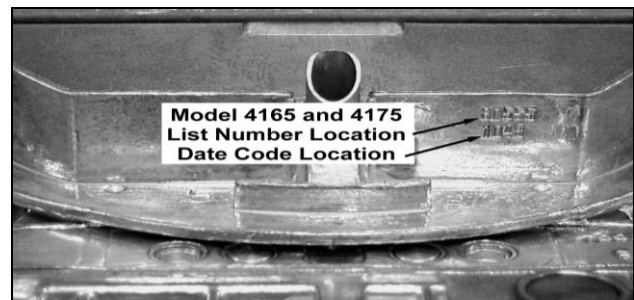


Figure 4

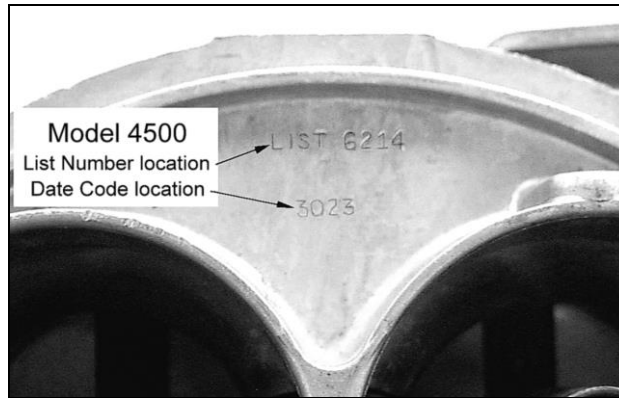


Figure 5

DISASSEMBLY:

Rest the carburetor on a repair stand to avoid damage to the throttle plates during renewal procedures. Use the exploded view, for the model of carburetor you have, as a guide and follow the numerical sequence in general to disassemble unit far enough to permit cleaning and inspection. DO NOT remove throttle plates or shaft. Idle limiter: turn the idle limiter cap to its leanest (clockwise) position and remove cap. Observe and Record the initial position of the needle slot. Turn the idle needles clockwise, until lightly seated, recording the number of turns required to seat the needles. This procedure is necessary to reinstall the idle needles after renewing the carburetor.

WARNING! Use care not to damage the idle adjusting needles when removing idle limiter caps.

CLEANING AND CARE:

Cleaning must be done with carburetor disassembled. Soak parts long enough to soften and remove all foreign material. Use a carburetor solvent, lacquer thinner or denatured alcohol. Make certain the throttle body is free of all hard carbon deposits. Wash off in suitable solvent. Blow all passages in castings with compress air and check carefully to insure thorough cleaning of obscure areas.

WARNING! DO NOT soak parts containing rubber or plastic material. Serious damage could result.

WARNING! Fuel bowls, should only be exposed to carburetor cleaner long enough to permit removal of gum and varnish deposits with a brush. Some fuel bowls have internal "O" Ring seals, which are not removable, but can be damaged by prolonged exposure to some carburetor cleaning solvents.

REASSEMBLY:

Reassemble in reverse order of disassembly. Note the special instructions and follow the calibration numbers in the **SPECIFICATIONS** manual in making final adjustments.

Manually operate the throttle lever and choke mechanism, checking for binding or malfunction. Any binding or interference could cause throttle to stick during operation and result in loss of carburetor throttle control (or uncontrolled engine speed).

WARNING! Check carburetor to be sure there are no leaks or flooding, which might cause a fire.

SPECIAL INSTRUCTIONS FOR ALL CARBURETORS:

IDLE ADJUSTING NEEDLES - Tapered portion of needle must be straight and smooth. If grooved or ridged, a new needle would be install.

PUMP INLET CHECK VALVE - Lubricate tip of new valve and insert in center hole in pump cavity. Pull through from fuel bowl side, until seated.

CHOKE PLATE SCREW - Choke plate screws are staked to prevent loosening. To avoid breaking or stripping the threads in the choke shaft, lightly file off the staking. Choke plate screws should be restaked after tightening to prevent loosening.

THROTTLE BODY - DO NOT remove throttle shafts or plates. If throttle plates are nicked or damaged, it will be necessary to replace the throttle body.

CHECK BALL - Your kit may contain more than one check ball. The check ball removed from your carburetor should be compared to the new check ball for correct sizing before installation.

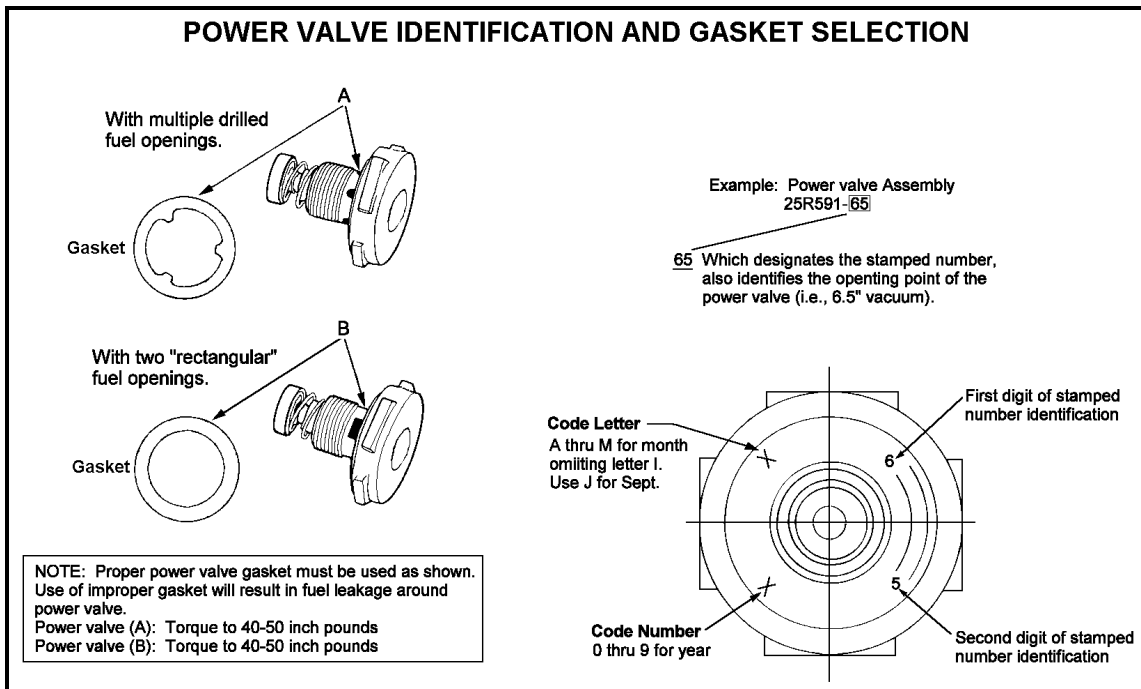


Figure 6

SPECIAL INSTRUCTIONS FOR MODELS 2300, 4150, 4160, 4165, and 4175:

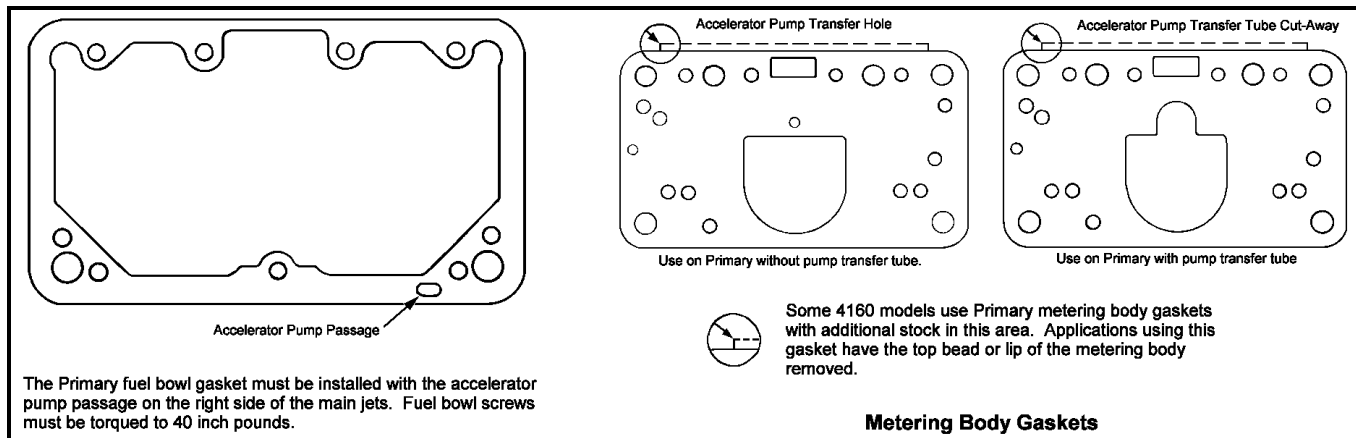


Figure 7

SPECIAL INSTRUCTIONS FOR MODELS 2010, 4010, AND 4011:

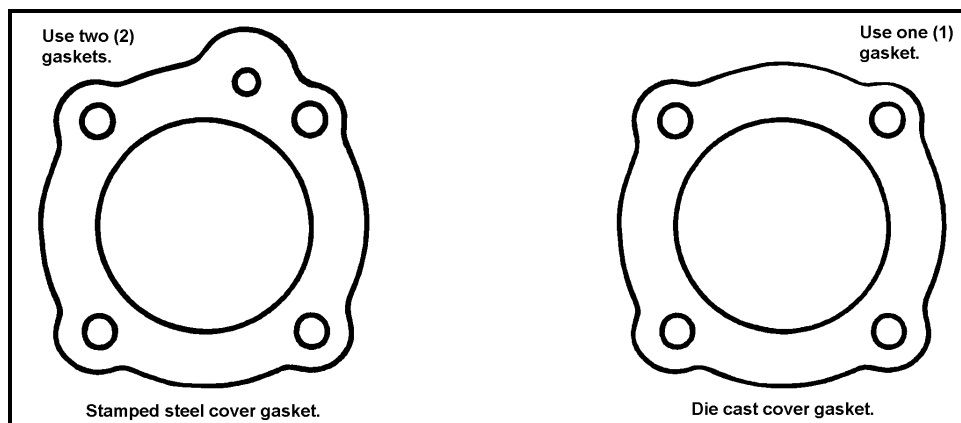
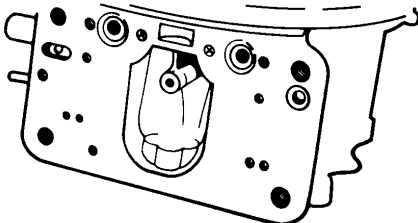
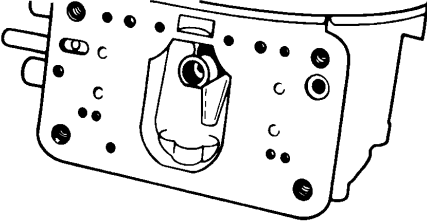
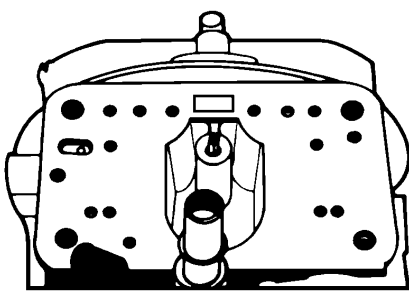
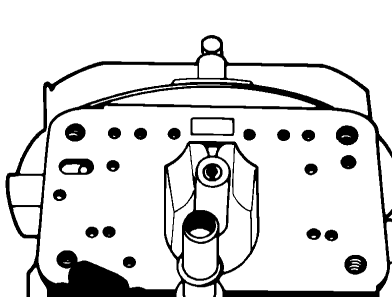
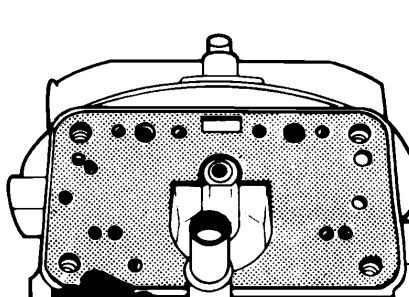


Figure 8

SPECIAL INSTRUCTIONS FOR MODELS 4165/4175

NOTE: Spread bore carburetors have been built with two types of main metering bodies and main body castings.

| Type A | Type B | |
|--|---|--|
|  <p>Main body has accelerator pump passage boss flush, or even, with gasket surface for metering body.</p> <p>FIG. 9</p> |  <p>Main body has accelerator pump passage boss recessed .20 (almost 1/4") below gasket face and use connector tube and "O" rings.</p> <p>FIG. 10</p> | |
| <p>If your carburetor is Type A install roll pin and "O" ring enclosed</p> | | |
|  <p>1 Insert split roll pin in accelerator pump passage on metering body face of main body. Place washer provided over roll pin into main body until the amount protruding is flush with washer.</p> <p>FIG. 11</p> |  <p>2 Discard washer and place small "O" ring provided over roll pin.</p> <p>FIG. 12</p> |  <p>3 Assemble carburetor with new gaskets provided.</p> <p>FIG. 13</p> |

SPECIAL INSTRUCTIONS FOR MODEL 4500:

It is absolutely imperative that the throttles are timed to open exactly together. If due to wear or severe use the throttles are not synchronized a minor adjustment to the operating link will remedy the problem. With the throttle lever held against the wide open throttle stop, bending adjustments can be made to lengthen or shorten the connecting link; to remove idle slack between the throttle shafts, the link should be shortened; to prevent over travel at wide open throttle, the link must be made longer. To adjust the linkage for wide open throttle of all four bores, the intermediate connecting link can be made shorter or longer as the carburetor requires.

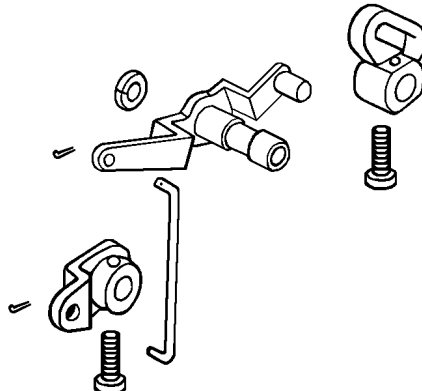
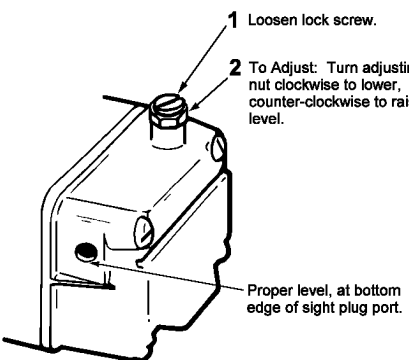
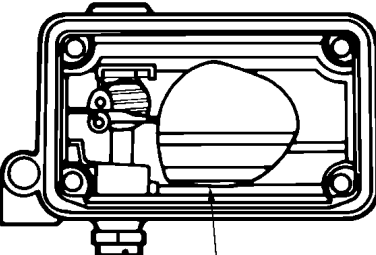
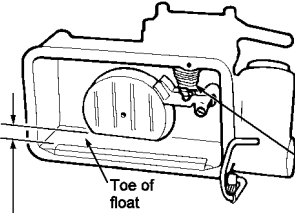
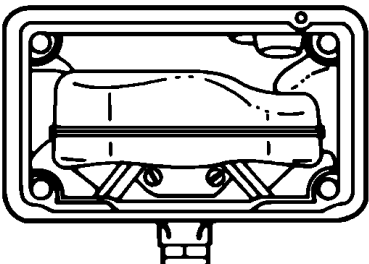
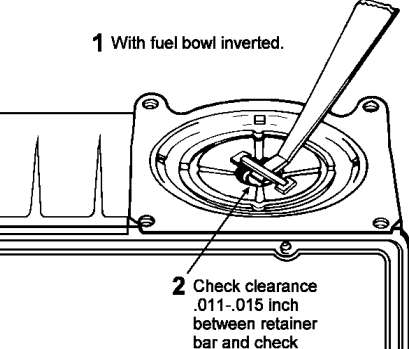
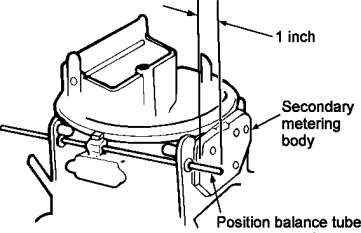
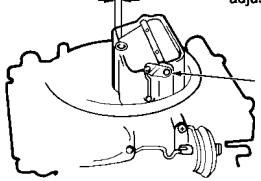
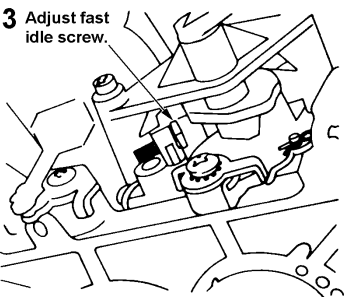
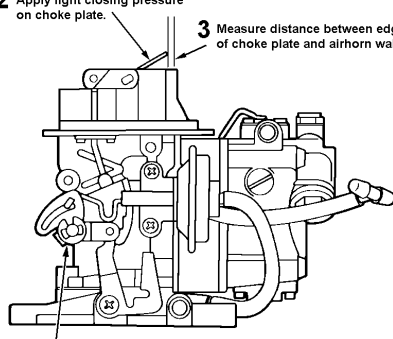


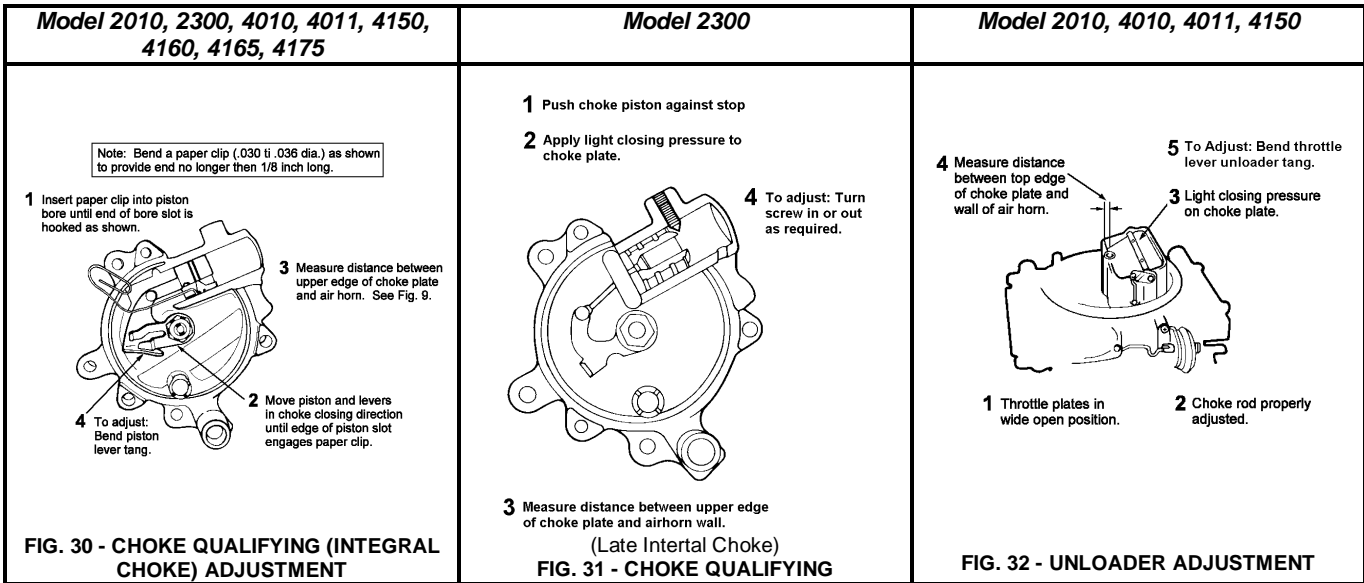
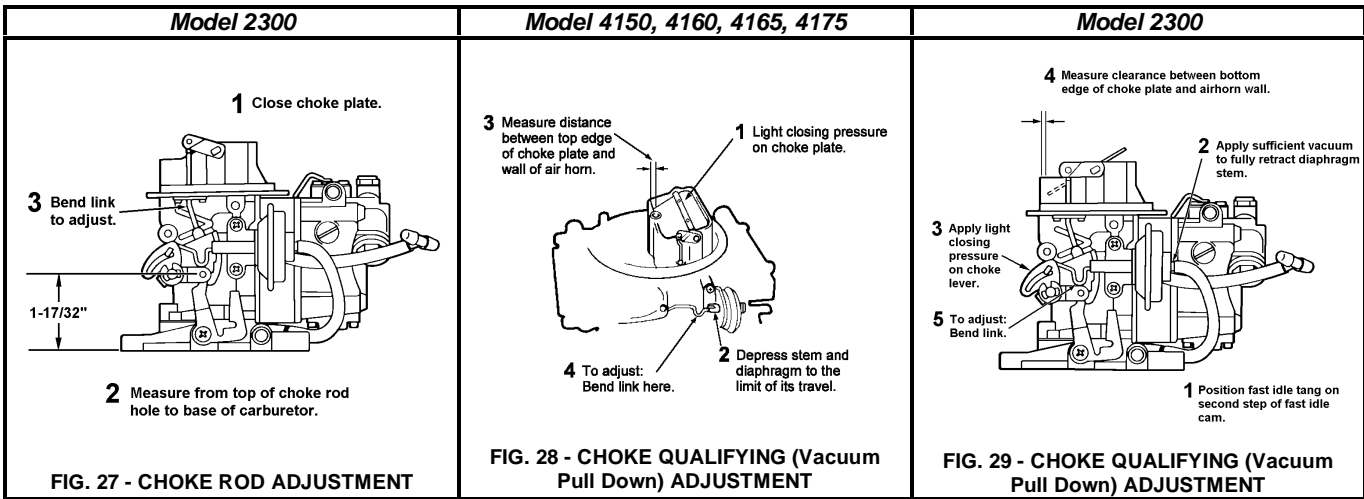
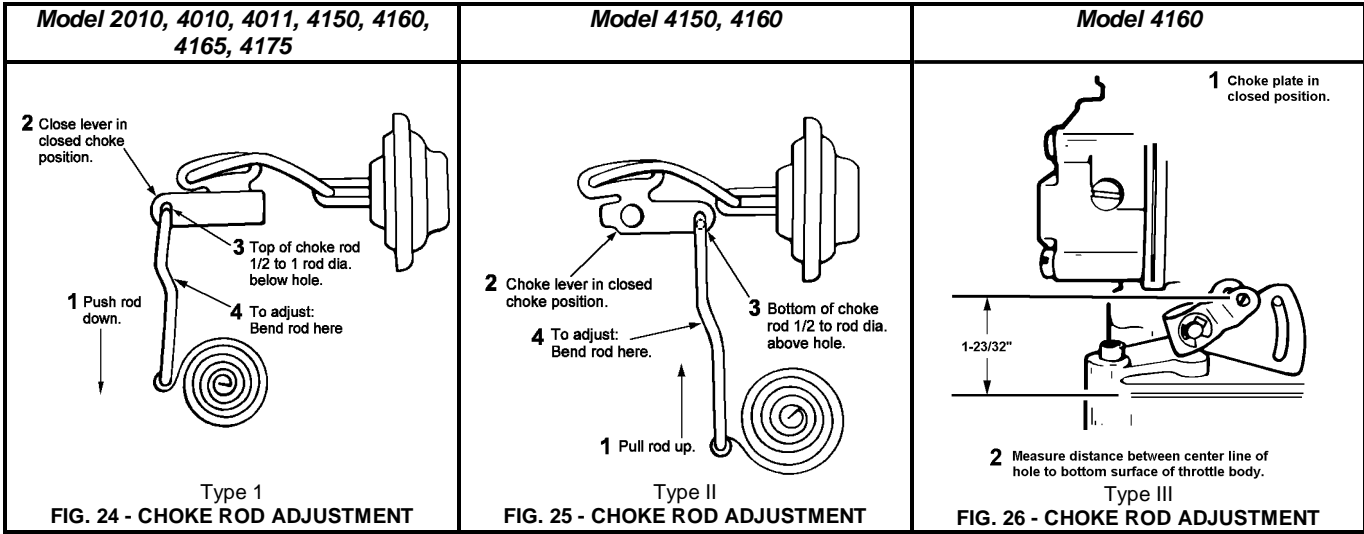
Figure 14

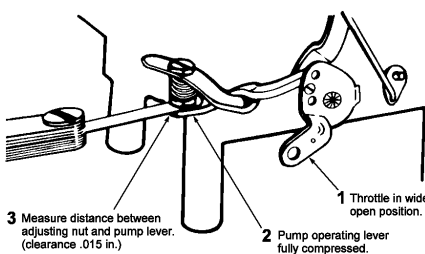
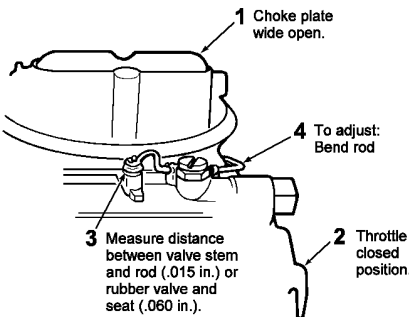
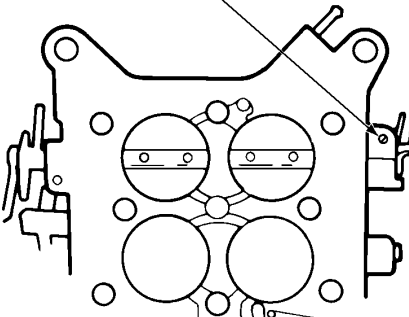
CARBURETOR ADJUSTMENTS:

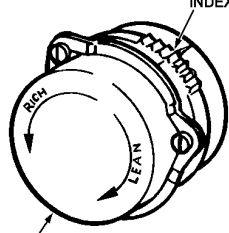
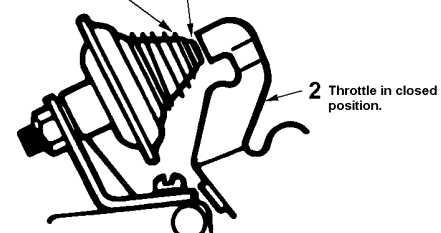
| | | |
|--|--|--|
| <p>Model 2010, 2300, 4010, 4011, 4150, 4160, 4165, 4175, 4500</p> | <p>Model 2300, 4150, 4160</p> | <p>Model 2300, 4150, 4160, 4165, 4175</p> |
|  <p>1 Loosen lock screw.</p> <p>2 To Adjust: Turn adjusting nut clockwise to lower, counter-clockwise to raise level.</p> <p>Proper level, at bottom edge of sight plug port.</p> <p>With car on level surface and engine running.</p> <p>FIG. 15 - WET LEVEL ADJUSTMENT</p> | <p>1 With fuel bowl inverted.</p>  <p>2 Adjust float parallel to bowl floor.</p> <p>Externally Adjustable</p> <p>FIG. 16 - DRY FLOAT SETTING</p> | <p>1 With fuel bowl inverted.</p>  <p>2 Measure distance between surface of fuel bowl and float, at toe of the float.</p> <p>3 To Adjust: Bend Tab</p> <p>Non-Adjustable Type</p> <p>FIG. 17 - DRY FLOAT SETTING</p> |

| | | |
|--|--|--|
| <p>Model 2300, 4160, 4165, 4175, 4500</p> | <p>Model 2300, 4150, 4160</p> | <p>Model 4150, 4160</p> |
| <p>1 With fuel bowl inverted.</p>  <p>2 Adjust float until it is centered in the center of the fuel bowl.</p> <p>Center Hung Float</p> <p>FIG. 18 - DRY FLOAT SETTING</p> | <p>1 With fuel bowl inverted.</p>  <p>2 Check clearance .011-.015 inch between retainer bar and check ball.</p> <p>FIG. 19 - PUMP INT. CHECK BALL ADJ.</p> | <p>CAUTION: Be sure "O" rings and washers are seated in recesses.</p>  <p>1 inch</p> <p>Secondary metering body</p> <p>Position balance tube to extend 1 inch from metering body to end of tube.</p> <p>FIG. 20 - BALANCE TUBE ADJUSTMENT</p> |

| | | |
|---|--|---|
| <p>MODEL 4150</p> | <p>MODEL 2010, 4010, 4011, 4150, 4160, 4165, 4175</p> | <p>MODEL 2300</p> |
| <p>3 Measure distance between top edge of choke plate and wall of air horn.</p> <p>4 To Adjust: Bend cam positioner adjustment tang.</p>  <p>2 Light closing pressure on choke plate.</p> <p>1 Fast idle speed adjusting tang contacting 2nd highest step of fast idle cam.</p> <p>FIG. 21 - CAM INDEX ADJUSTMENT</p> | <p>1 Turn engine off. 2 Close choke</p> <p>3 Adjust fast idle screw.</p>  <p>(Non-Marine Only)</p> <p>FIG. 22 - FAST IDLE ADJUSTMENT</p> | <p>2 Apply light closing pressure on choke plate.</p> <p>3 Measure distance between edge of choke plate and airhorn wall.</p>  <p>4 To adjust: Bend choke control lever tang.</p> <p>1 Position fast idle tang on second step of fast idle cam.</p> <p>FIG. 23 - FAST IDLE ADJUSTMENT</p> |



| Model 2010, 2300, 4010, 4011, 4150, 4160, 4165, 4175, 4500 | Model 2300, 4150, 4160, 4165, 4175 | Model 4010, 4011, 4150, 4160, 4165, 4175 |
|--|--|---|
|  <p>1 Throttle in wide open position.</p> <p>2 Pump operating lever fully compressed.</p> <p>3 Measure distance between adjusting nut and pump lever. (clearance .015 in.)</p> <p>FIG. 33 - PUMP OVERRIDE ADJUSTMENT</p> |  <p>1 Choke plate wide open.</p> <p>2 Throttle in closed position.</p> <p>3 Measure distance between valve stem and rod (.015 in.) or rubber valve and seat (.060 in.).</p> <p>4 To adjust: Bend rod</p> <p>FIG. 34 - VENT VALVE ADJUSTMENT</p> | <p>Back the secondary throttle stop screw out until the secondary throttle plates are closed in the throttle bore. Turn the screw in (clockwise) until it just touches the stop on the lever, then give it an additional 1/4 turn.</p>  <p>FIG. 35 - SECONDARY THROTTLE STOP ADJUSTMENT</p> |

| Model 2010, 2300, 4010, 4011, 4150, 4160, 4165, 4175 | Model 2300, 4010, 4011, 4150, 4160 |
|---|--|
|  <p>INDEX</p> <p>RICH</p> <p>LEAN</p> <p>Rotate cover to align reference mark on cover with specified mark on choke housing.</p> <p>FIG. 36 - CHOKE ADJUSTMENT</p> | <p>1 With choke in wide open position.</p> <p>2 Throttle in closed position.</p> <p>3 Dashpot stem fully depressed.</p> <p>4 Adjust to specified clearance.</p>  <p>FIG. 37 - DASHPOT ADJUSTMENT</p> |



**Exploded View and Nomenclature
Manual for Models
2010, 2300, 4010, 4011, 4150,
4160, 4165, 4175, and 4500**

WARNING! These instructions must be read and fully understood before beginning installation. Failure to follow these instructions may result in poor performance, vehicle damage, personal injury, or death. If these instructions are not fully understood, installation should not be attempted.

TABLE OF CONTENTS:

| | |
|--|----|
| Read This First | 3 |
| Locating the List Number | 3 |
| Exploded View - Model 2010 | 4 |
| Nomenclature - Model 2010 | 5 |
| Exploded View - Model 2300 | 6 |
| Nomenclature - Model 2300 | 7 |
| Exploded View - Model 2300 (3 x 2 BBL) | 8 |
| Nomenclature - Model 2300 (3 x 2 BBL) | 9 |
| Exploded View - Model 4010 | 10 |
| Nomenclature - Model 4010 | 11 |
| Exploded View - Model 4011 | 12 |
| Nomenclature - Model 4011 | 13 |
| Exploded View - Model 4150/4160 | 14 |
| Nomenclature- Model 4150/4160 | 15 |
| Exploded View - Model 4165/4175 | 17 |
| Nomenclature - Model 4165/4175 | 17 |
| Exploded View - Model 4500 | 19 |
| Nomenclature - Model 4500 | 20 |

READ THIS FIRST:

This is a typical view type instruction sheet for different carburetor models, which will show more parts than are required for any one specific model. This kit may also contain universal part assortments, resulting in throw away or an excess in the number of parts that are actually required for servicing any one carburetor. In the case of duplicate gaskets or parts, compare with old pieces. To know which exploded view applies to your carburetor, locate the list number. To locate the list number, use the examples in the **LOCATING THE LIST NUMBER** section below. Find the list number in the **SPECIFICATIONS** manual included with your kit. The list numbers are grouped by model number. Use the exploded view that applies to your model of carburetor in this manual as a guide, and follow the numerical sequence in general to disassemble the unit far enough to permit cleaning and inspection. There is a nomenclature list for each model of carburetor. Use the nomenclature list to help identify the parts as you disassemble and reassemble the carburetor. Refer to the **SPECIFICATIONS** manual for the correct calibration numbers during reassembly. Use the **REBUILD AND ADJUSTMENT** manual during the reassembly for a step by step guide for performing each of the adjustments.

It is our intent to provide the best possible products for our customers: products that perform properly and satisfy your expectations. Should you need information of parts assistance, please contact our technical service department. Central time. Please have the part number of the product you purchased when you call.

LOCATING THE LIST NUMBER:

The List number for a Model 2010, 2300, 4010, 4011, 4150, 4160, 4165, or 4175 carburetor can be found on the **right side of choke air horn**. The List number for the 4500 can be found on the top of the main body casting. Below the list number is a date code that will contain no more than four (4) digits. See Figures below.

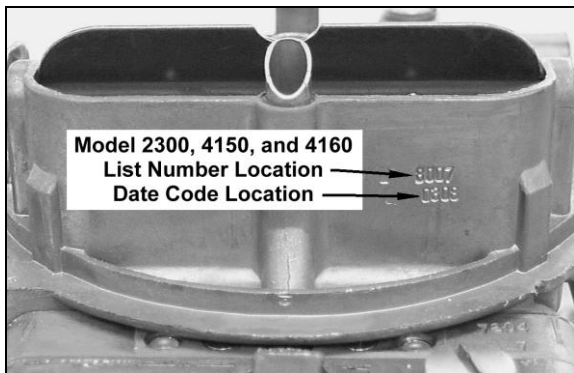


Figure 1

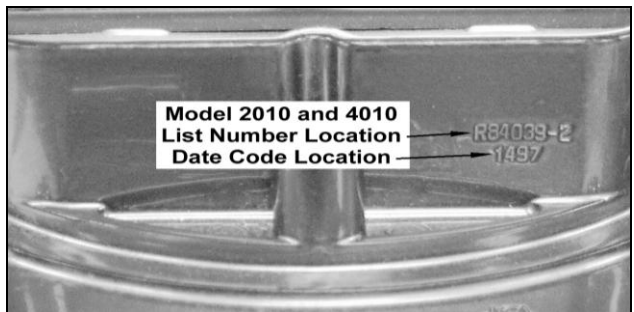


Figure 2



Figure 3



Figure 4

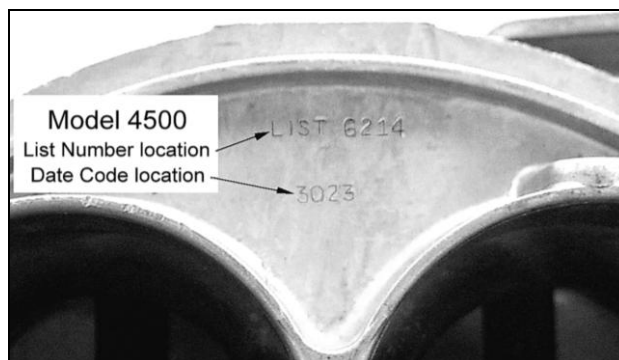
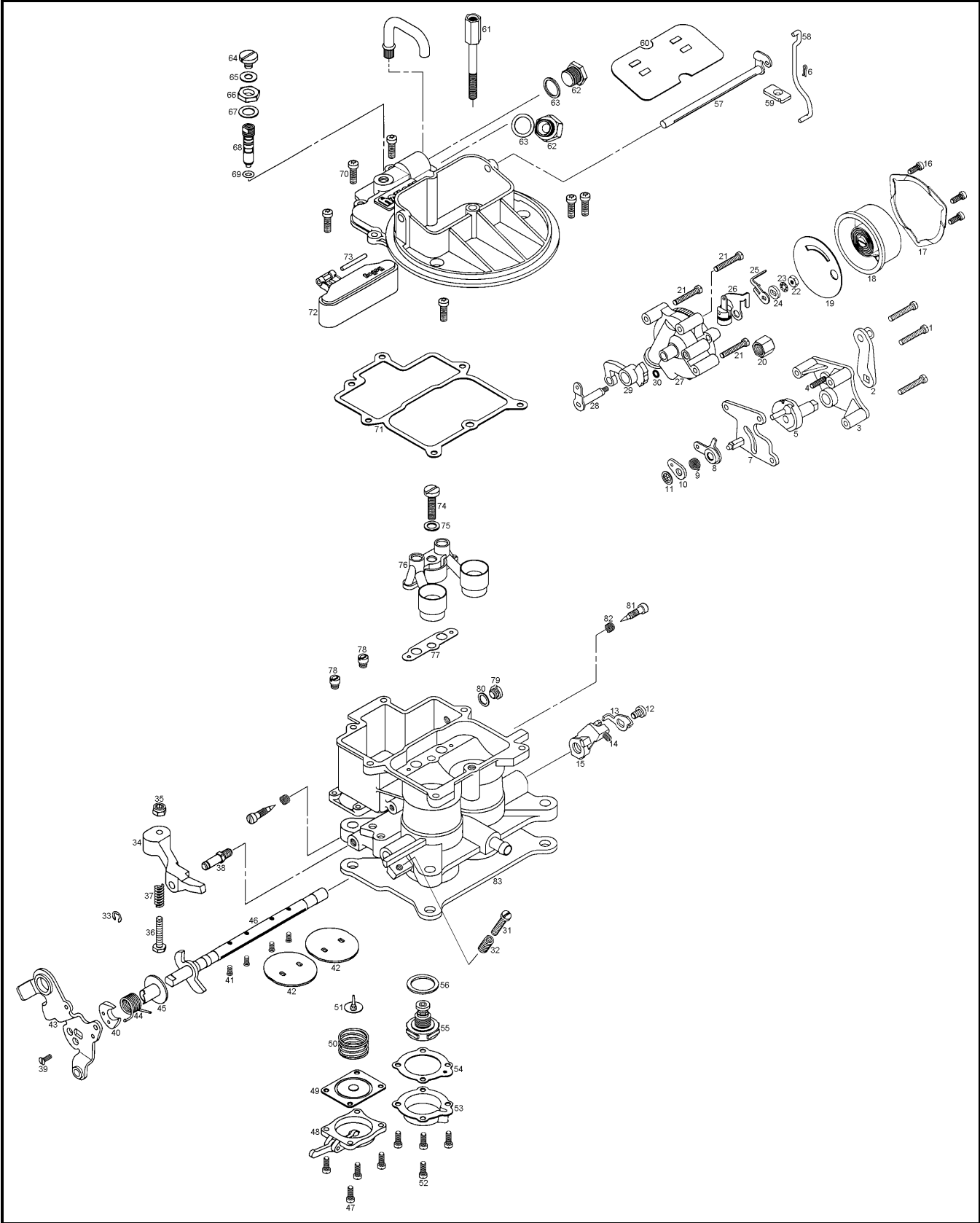


Figure 5

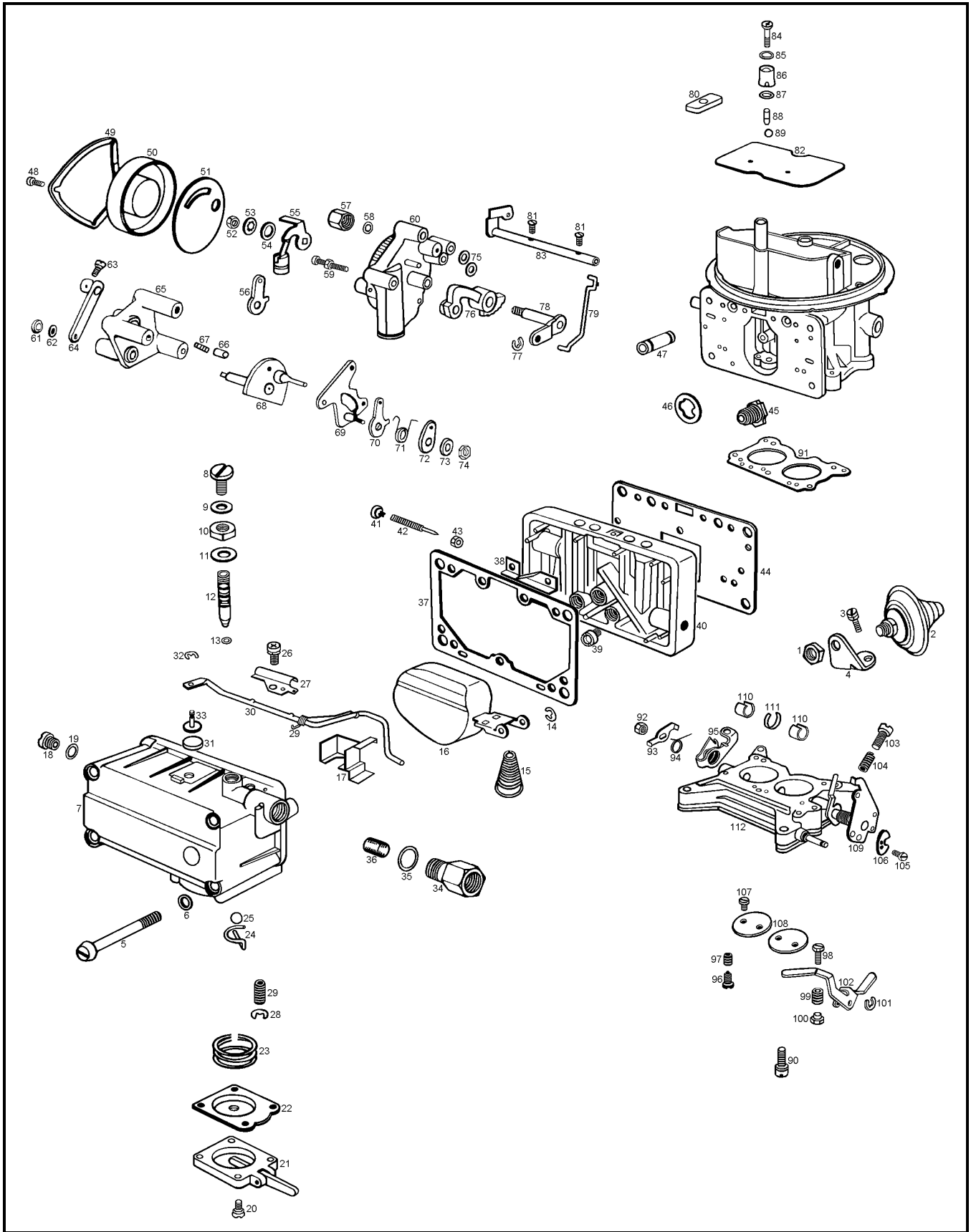
EXPLODED VIEW - MODEL 2010



NOMENCLATURE - MODEL 2010

| Ref. No. | Description | Ref. No. | Description |
|-----------------|-------------------------------------|-----------------|---|
| 1 | Fast Idle Cam Plate Screw | 2 | Choke Lever and Swivel Assembly |
| 3 | Fast Idle Cam Plate | 4 | Fast Idle Cam Spring |
| 5 | Fast Idle Cam | 6 | Choke Rod Retainer |
| 7 | Choke Lever Back-up Plate | 8 | Choke Rod Lever Molded |
| 9 | Choke Lever Spring | 10 | Choke Spring Retainer Washer |
| 11 | Push Nut Fastener | 12 | Fast Idle Cam Lever Screw |
| 13 | Cam Pickup Lever | 14 | Fast Idle Adjustment Screw |
| 15 | Fast Idle Cam Lever | 16 | Thermostat Cap Clamp Screw |
| 17 | Thermostat Cap Clamp | 18 | Thermostat & Cap Assembly Indexed |
| 19 | Thermostat Cap Gasket | 20 | Compression Nut |
| 21 | Choke Housing Screw | 22 | Hex Nut |
| 23 | Lockwasher | 24 | Choke Thermostat Lever Spacer |
| 25 | Choke Thermostat lever | 26 | Thermostat Lever & Piston Assembly |
| 27 | Choke Housing & Plugs Assembly | 28 | Choke Housing Shaft & Lever Assembly |
| 29 | Fast Idle Cam Assembly | 30 | Choke Housing Gasket |
| 31 | Throttle Stop Screw | 32 | Throttle Stop Adjustment Screw Spring |
| 33 | E-Ring Retainer | 34 | Pump Operative Lever Assembly |
| 35 | Fiber Locking Nut | 36 | Pump Lever Adjustment Screw |
| 37 | Pump Lever Adjustment Screw Spring | 38 | Pump Lever Stud |
| 39 | Pump Cam Screw | 40 | Pump Cam |
| 41 | Throttle Plate Screw | 42 | Throttle Plate |
| 43 | Throttle Lever | 44 | Throttle Return Spring |
| 45 | Throttle lever Bushing | 46 | Throttle Shaft & Stop Lever Assembly |
| 47 | Pump Diaphragm Cover Screw | 48 | Accelerator Pump Diaphragm Cover Assembly |
| 49 | Accelerator Pump Diaphragm Assembly | 50 | Pump Diaphragm Return Spring |
| 51 | Pump Check Valve | 52 | Power Valve Cover Screw |
| 53 | Power Valve Cover | 54 | Power Valve Cover Gasket |
| 55 | Power Valve | 56 | Power Valve Gasket |
| 57 | Choke Shaft & Lever Assembly | 58 | Choke Rod Retainer |
| 59 | Choke Rod Seal | 60 | Choke Plate |
| 61 | Air Cleaner Stud | 62 | Fuel Inlet Fitting |
| 63 | Fuel Inlet Fitting Gasket | 64 | Fuel Valve Seat Screw |
| 65 | Seat Lock Screw Gasket | 66 | Fuel Valve Seat Lock Nut |
| 67 | Needle & Seat Adjustment Nut Gasket | 68 | Fuel Inlet Needle & Seat Assembly |
| 69 | O-Ring Seal | 70 | Airhorn Screw |
| 71 | Airhorn Gasket | 72 | Float & Tab Assembly |
| 73 | Float Shaft | 74 | Nozzle Bar Screw |
| 75 | Nozzle Bar Screw Gasket | 76 | Nozzle Bar Assembly |
| 77 | Nozzle Bar Gasket | 78 | Main Jet |
| 79 | Fuel Level Plug | 80 | Fuel Level Plug Gasket |
| 81 | Idle Adjustment Needle | 82 | Idle Adjustment Needle Spring |
| 83 | Flange Gasket | | |

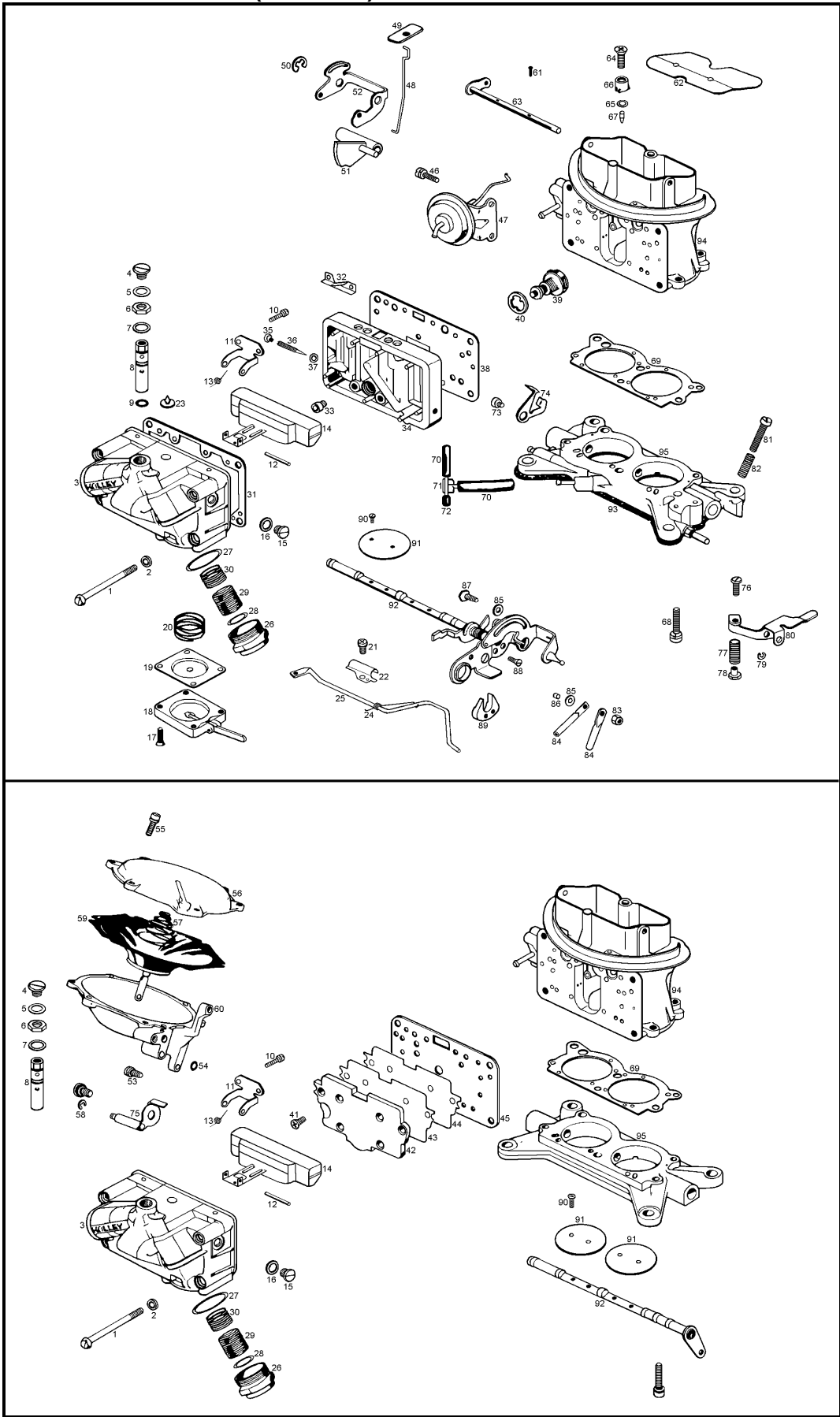
EXPLODED VIEW - MODEL 2300



NOMENCLATURE - MODEL 2300

| <i>Ref. No.</i> | <i>Description</i> | <i>Ref. No.</i> | <i>Description</i> |
|-----------------|-------------------------------------|-----------------|---------------------------------------|
| 1 | Dashpot Locknut | 2 | Dashpot Assembly |
| 3 | Dashpot Bracket Screw | 4 | Dashpot Bracket |
| 5 | Fuel Bowl Screw | 6 | Bowl Screw Gasket |
| 7 | Fuel Bowl Assembly | 8 | Fuel Valve Seat Lockscrew |
| 9 | Lockscrew Gasket | 10 | Fuel Valve Seat Adjustment Nut |
| 11 | Adjustment Nut Gasket | 12 | Fuel Valve Assembly |
| 13 | Fuel Valve O-Ring Seal | 14 | Float Retainer |
| 15 | Float Spring | 16 | Float Assembly |
| 17 | Fuel Inlet Baffle | 18 | Fuel Inlet Check Plug |
| 19 | Check Plug Gasket | 20 | Accelerator Pump Cover Screw |
| 21 | Accelerator Pump Cover | 22 | Pump Diaphragm |
| 23 | Diaphragm Return Spring | 24 | Check Ball Retainer |
| 25 | Check Ball | 26 | Vent Rod Clamp Screw |
| 27 | Vent Rod Clamp | 28 | Vent Rod Spring Retainer |
| 29 | Vent Rod Spring | 30 | Vent Rod |
| 31 | Vent Cap | 32 | Vent Valve Retainer |
| 33 | Vent Valve | 34 | Fuel Inlet Fitting |
| 35 | Inlet Fitting Gasket | 36 | Inlet Filter Screen |
| 37 | Fuel Bowl Gasket | 38 | Metering Body Vent Baffle |
| 39 | Main Metering Jet | 40 | metering Body |
| 41 | Idle Limiter Cap | 42 | Idle Needle |
| 43 | Idle Needle Seal | 44 | Metering Body Gasket |
| 45 | Power Valve | 46 | Power Valve Gasket |
| 47 | Pump Transfer Tube | 48 | Thermostat Housing Clamp Screw |
| 49 | Thermostat Housing Clamp | 50 | Thermostat Housing Assembly |
| 51 | Thermostat Housing Gasket | 52 | Thermostat Shaft Nut |
| 53 | Shaft Nut Lockwasher | 54 | Spacer |
| 55 | Choke Thermostat Lever and Assembly | 56 | Choke Thermostat Lever |
| 57 | Heat Tube Nut | 58 | Heat Tube Screen |
| 59 | Choke Housing Screw | 60 | Choke Housing Assembly |
| 61 | Control Lever Nut | 62 | Lockwasher |
| 63 | Swivel Screw | 64 | Choke Lever & Swivel Assembly |
| 65 | Fast Idle Cam Plate | 66 | Fast Idle Cam Plunger |
| 67 | Plunger Spring | 68 | Fast Idle Cam & Shaft Assembly |
| 69 | Back-up Plate & Stud Assembly | 70 | Choke Rod Lever & Bushing Assembly |
| 71 | Choke Spring | 72 | Spring Washer |
| 73 | Back-up Plate Stud Nut Lockwasher | 74 | Stud Nut |
| 75 | Choke Housing Gasket | 76 | Fast Idle Cam |
| 77 | Choke Link Retainer | 78 | Choke Housing Shaft & Lever |
| 79 | Choke Link | 80 | Choke Link Seal |
| 81 | Choke Plate Screw | 82 | Choke Plate |
| 83 | Choke Shaft and Lever | 84 | Pump Discharge Nozzle Screw |
| 85 | Discharge Nozzle Gasket | 86 | Pump Discharge Nozzle |
| 87 | Discharge Nozzle Gasket | 88 | Pump Discharge Weight |
| 89 | Pump Discharge Ball | 90 | Throttle Body to Main Body Screw |
| 91 | Throttle Body Gasket | 92 | Fast Idle Cam Lever Screw |
| 93 | Fast Idle Pick-up Lever | 94 | Fast Idle Cam Lever Spring |
| 95 | Fast Idle Cam Lever | 96 | Fast Idle Cam Lever Screw |
| 97 | Lever Screw Spring | 98 | Pump Operating Lever Adjustment Screw |
| 99 | Adjustment Screw Spring | 100 | Adjustment Screw Nut |
| 101 | Pump Operating Lever Retainer | 102 | Pump Operating Lever |
| 103 | Throttle Stop Screw | 104 | Stop Screw Spring |
| 105 | Pump Cam Lock Screw | 106 | Pump Cam |
| 107 | Throttle Plate Screw | 108 | Throttle Plate |
| 109 | Throttle Shaft & Lever | 110 | Throttle Shaft Bearing |
| 111 | Throttle Shaft Bearing - Center | 112 | Flange Gasket |

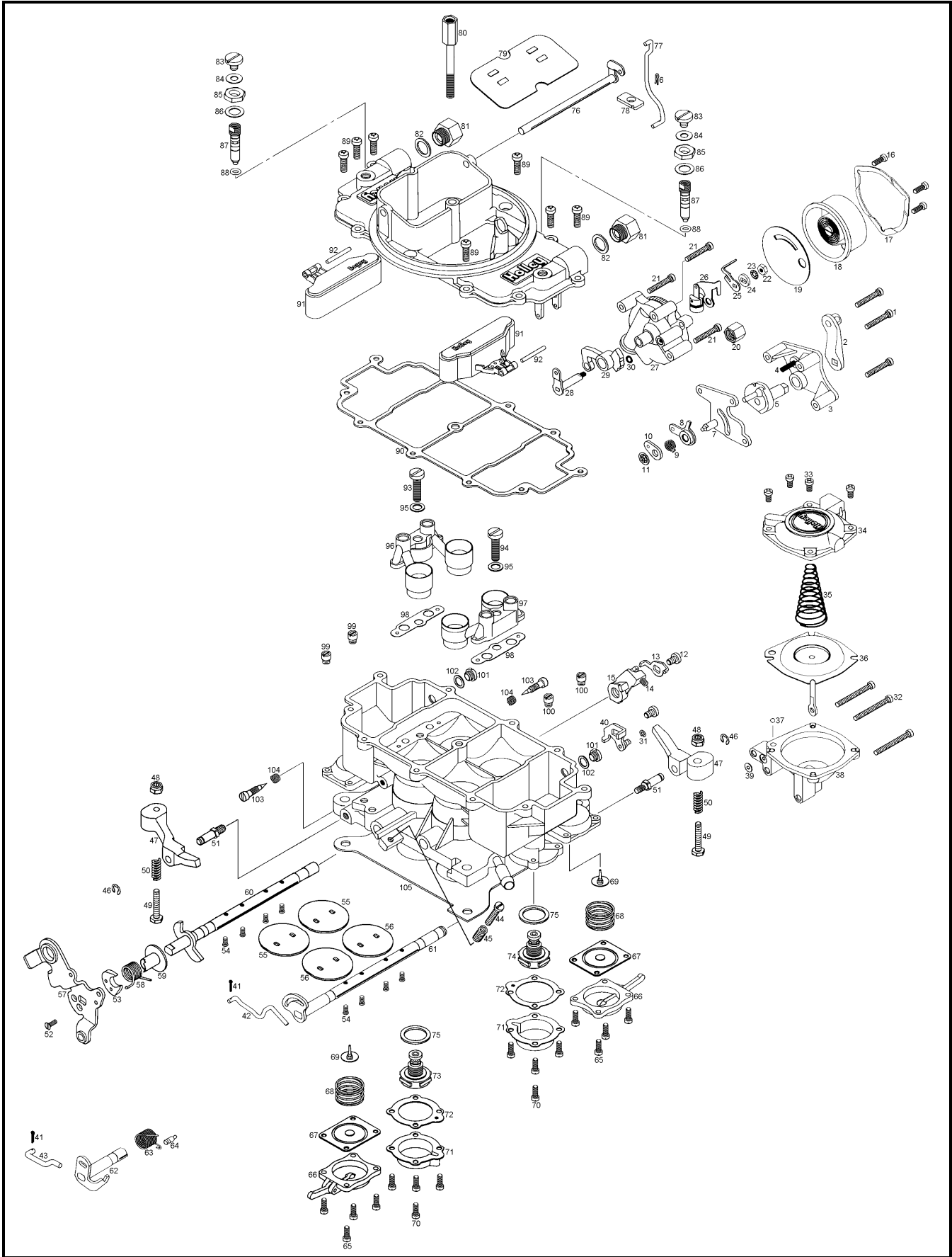
EXPLODED VIEW - MODEL 2300 (3 x 2 BBL)



NOMENCLATURE - MODEL 2300 (3 x 2 BBL.)

| <i>Ref. No.</i> | <i>Description</i> | <i>Ref. No.</i> | <i>Description</i> |
|-----------------|--------------------------------|-----------------|---------------------------------------|
| 1 | Fuel Bowl Screw | 2 | Bowl Screw Gasket |
| 3 | Fuel Bowl Assembly | 4 | Fuel Valve Seat Lock Screw |
| 5 | Lock Screw Gasket | 6 | Fuel Valve Seat Adjustment Nut |
| 7 | Adjustment Nut Gasket | 8 | Fuel Valve Assembly |
| 9 | Fuel Valve O-Ring Seal | 10 | Float Shaft Retainer Screw |
| 11 | Float Shaft Retainer | 12 | Float Lever Shaft |
| 13 | Float Spring | 14 | Float Assembly |
| 15 | Fuel Level Check Plug | 16 | Check Plug Gasket |
| 17 | Accelerator Pump Cover Screw | 18 | Accelerator Pump Cover |
| 19 | Accelerator Pump Diaphragm | 20 | Diaphragm Return Spring |
| 21 | Vent Rod Clamp Screw | 22 | Vent Rod Clamp |
| 23 | Vent Valve | 24 | Vent Rod Spring |
| 25 | Vent Rod | 26 | Fuel Inlet Fitting |
| 27 | Inlet Fitting Gasket | 28 | Fuel Filter Gasket |
| 29 | Fuel Filter | 30 | Fuel Filter Spring |
| 31 | Fuel Bowl Gasket | 32 | Metering Body Vent Baffle |
| 33 | Main Metering Jet | 34 | Metering Body |
| 35 | Idle Limiter Cap | 36 | Idle Needle |
| 37 | Idle Needle Seal | 38 | Metering Body Gasket |
| 39 | Power Valve | 40 | Power Valve Gasket |
| 41 | Metering Body Screw | 42 | Metering Body - Secondary |
| 43 | Metering Body Plate Gasket | 44 | Metering Body Plate |
| 45 | Metering Body Gasket | 46 | Choke Diaphragm Bracket Screw |
| 47 | Choke Diaphragm Assembly | 48 | Choke Rod |
| 49 | Choke Rod Seal | 50 | Choke Control Lever Retainer |
| 51 | Fast Idle Cam | 52 | Choke Control Lever |
| 53 | Diaphragm Mounting Screw | 54 | Diaphragm Housing Gasket |
| 55 | Diaphragm Assembly Cover Screw | 56 | Diaphragm Housing Cover |
| 57 | Diaphragm Spring | 58 | Diaphragm Link Retainer |
| 59 | Diaphragm Assembly | 60 | Diaphragm Housing |
| 61 | Choke Plate Screw | 62 | Choke Plate |
| 63 | Choke Shaft & Lever Assembly | 64 | Pump Discharge Nozzle Screw |
| 65 | Pump Discharge Screw Gasket | 66 | Pump Discharge Nozzle |
| 67 | Pump Discharge Needle Valve | 68 | Throttle Body to Main Body Screw |
| 69 | Throttle Body Gasket | 70 | Choke Diaphragm Hose |
| 71 | Tee Fitting | 72 | Plug |
| 73 | Fast Idle Cam Lever Screw | 74 | Fast Idle Cam Lever |
| 75 | Diaphragm Lever & Pin Assembly | 76 | Pump Operating Lever Adjustment Screw |
| 77 | Adjustment Screw Spring | 78 | Adjustment Screw Nut |
| 79 | Pump Operating Lever Retainer | 80 | Pump Operating Lever |
| 81 | Throttle Stop Screw | 82 | Stop Screw Spring |
| 83 | Throttle Connector Pin Nut | 84 | Throttle Connector Bar |
| 85 | Throttle Connector Pin Spacer | 86 | Throttle Connector Pin Bushing |
| 87 | Throttle Connector Pin | 88 | Pump Cam Lockscrew |
| 89 | Pump Cam | 90 | Throttle Plate Screw |
| 91 | Throttle Plate | 92 | Throttle Shaft & Lever Assembly |
| 93 | Flange Gasket | 94 | Main Body |
| 95 | Throttle Body | | |

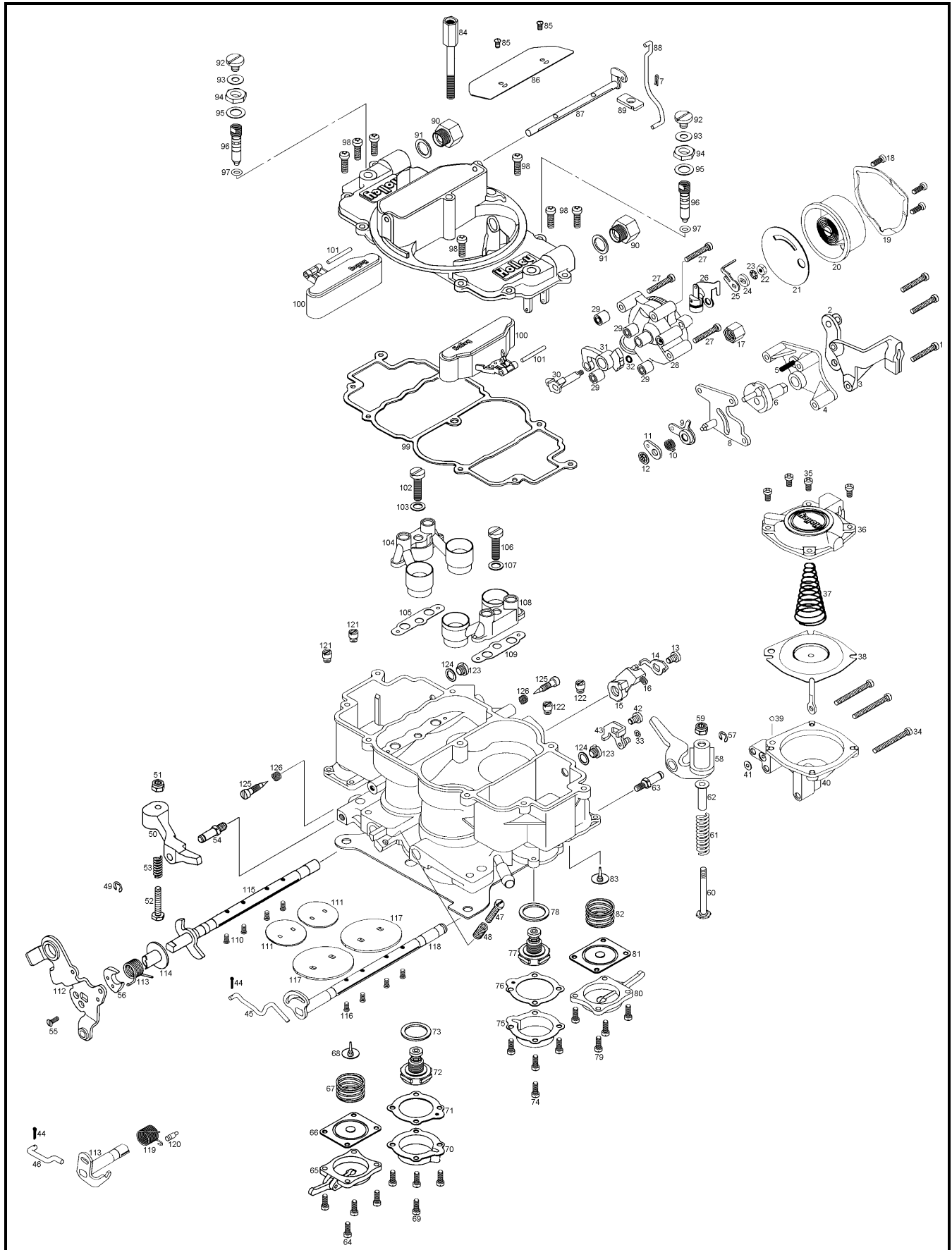
EXPLODED VIEW - MODEL 4010



NOMENCLATURE - MODEL 4010

| Ref. No. | Description | Ref. No. | Description |
|-----------------|---|-----------------|---|
| 1 | Fast Idle Cam Plate Screw | 2 | Choke Lever and Swivel Assembly |
| 3 | Fast Idle Cam Plate | 4 | Fast Idle Cam Spring |
| 5 | Fast Idle Cam | 6 | Choke Rod Retainer |
| 7 | Choke Lever Back-up Plate | 8 | Choke Rod Lever Molded |
| 9 | Choke Lever Spring | 10 | Choke Spring Retainer Washer |
| 11 | Push Nut Fastener | 12 | Fast Idle Cam Lever Screw |
| 13 | Cam Pickup Lever | 14 | Fast Idle Adjustment Screw |
| 15 | Fast Idle Cam Lever | 16 | Thermostat Cap Clamp Screw |
| 17 | Thermostat Cap Clamp | 18 | Thermostat & Cap Assembly Indexed |
| 19 | Thermostat Cap Gasket | 20 | Compression Nut |
| 21 | Choke Housing Screw | 22 | Hex Nut |
| 23 | Lockwasher | 24 | Choke Thermostat Lever Spacer |
| 25 | Choke Thermostat Lever | 26 | Thermostat Lever & Piston Assembly |
| 27 | Choke Housing & Plugs Assembly | 28 | Choke Housing Shaft & Lever Assembly |
| 29 | Fast Idle Cam Assembly | 30 | Choke Housing Gasket |
| 31 | E-Ring Retainer | 32 | Secondary Diaphragm Housing Screw |
| 33 | Secondary Diaphragm Cover Screw | 34 | Secondary Diaphragm Cover |
| 35 | Secondary Diaphragm Spring | 36 | Secondary Diaphragm & Link Assembly |
| 37 | Check Ball | 38 | Secondary Diaphragm Housing |
| 39 | Secondary Diaphragm Housing Gasket | 40 | Secondary Diaphragm Lever Assembly |
| 41 | Cotter Pin-Throttle Connecting Rod | 42 | Secondary Connecting Rod |
| 43 | Secondary Operating Link | 44 | Throttle Stop Screw |
| 45 | Throttle Stop Adjustment Screw Spring | 46 | E-Ring Retainer |
| 47 | Pump Operating lever Assembly | 48 | Fiber Locking Nut |
| 49 | Pump Lever Adjustment Screw | 50 | Pump Lever Adjustment Screw Spring |
| 51 | Pump Lever Stud | 52 | Pump Cam Screw |
| 53 | Pump Cam | 54 | Throttle Plate Screw |
| 55 | Primary Throttle Plate | 56 | Secondary Throttle Plate |
| 57 | Primary Throttle Lever | 58 | Primary Throttle Return Spring |
| 59 | Throttle Lever Bushing | 60 | Throttle Shaft & Stop Lever Assembly |
| 61 | Secondary Throttle Shaft & Stop Lever Assembly (Vacuum Secondary) | 62 | Secondary Throttle Shaft & Stop Lever Assembly (Mechanical Secondary) |
| 63 | Throttle Return Spring | 64 | Throttle Return Spring Pin |
| 65 | Pump Diaphragm Cover Screw | 66 | Accelerator Pump Diaphragm Cover Assembly |
| 67 | Accelerator Pump Diaphragm Assembly | 68 | Pump Diaphragm Return Spring |
| 69 | Pump Check Valve | 70 | Power Valve Cover Screw |
| 71 | Power Valve Cover | 72 | Power Valve Cover Gasket |
| 73 | Power Valve - Primary | 74 | Power Valve - Secondary |
| 75 | Power Valve Gasket | 76 | Choke Shaft and Lever Assembly |
| 77 | Choke Rod | 78 | Choke Rod Seal |
| 79 | Choke Plate | 80 | Air Cleaner Stud |
| 81 | Fuel Inlet Fitting | 82 | Fuel Inlet Fitting Gasket |
| 83 | Fuel Valve Seat Screw | 84 | Seat Lock Screw Gasket |
| 85 | Fuel Valve Seat Lock Nut | 86 | Needle & Seat Adjustment Nut Gasket |
| 87 | Fuel Inlet Needle & Seat Assembly | 88 | O-Ring Seal |
| 89 | Air Horn Screw | 90 | Airhorn Gasket |
| 91 | Float & Tab Assembly | 92 | Float Shaft |
| 93 | Nozzle Bar Screw - Primary | 94 | Nozzle Bar Screw - Secondary |
| 95 | Nozzle Bar Screw Gasket | 96 | Primary Nozzle Bar Assembly |
| 97 | Secondary Nozzle Bar Assembly | 98 | Nozzle Bar Gasket |
| 99 | Primary Main Jet | 100 | Secondary Main Jet |
| 101 | Fuel Level Check Plug | 102 | Fuel Level Plug Gasket |
| 103 | Idle Adjustment Needle | 104 | Idle Adjustment Needle Spring |
| 105 | Flange Gasket | | |

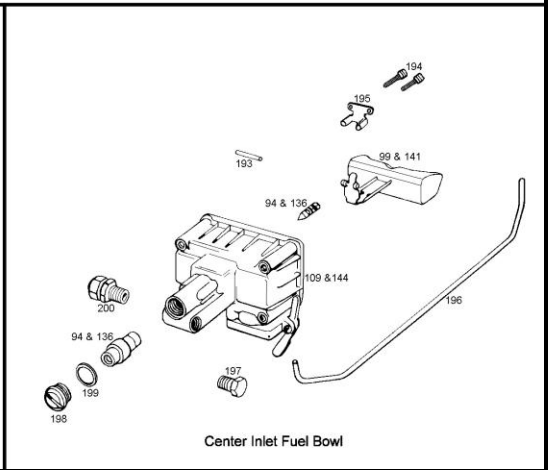
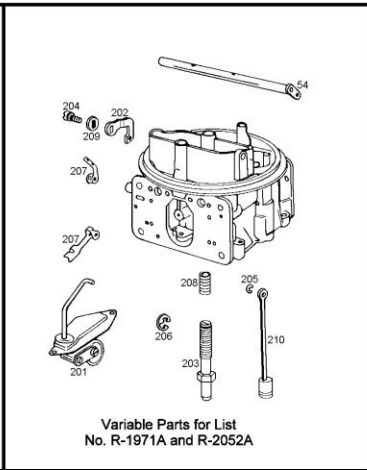
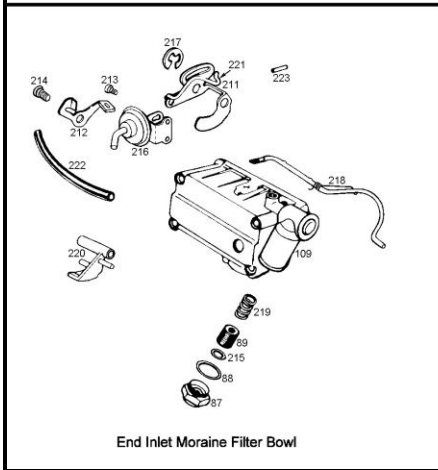
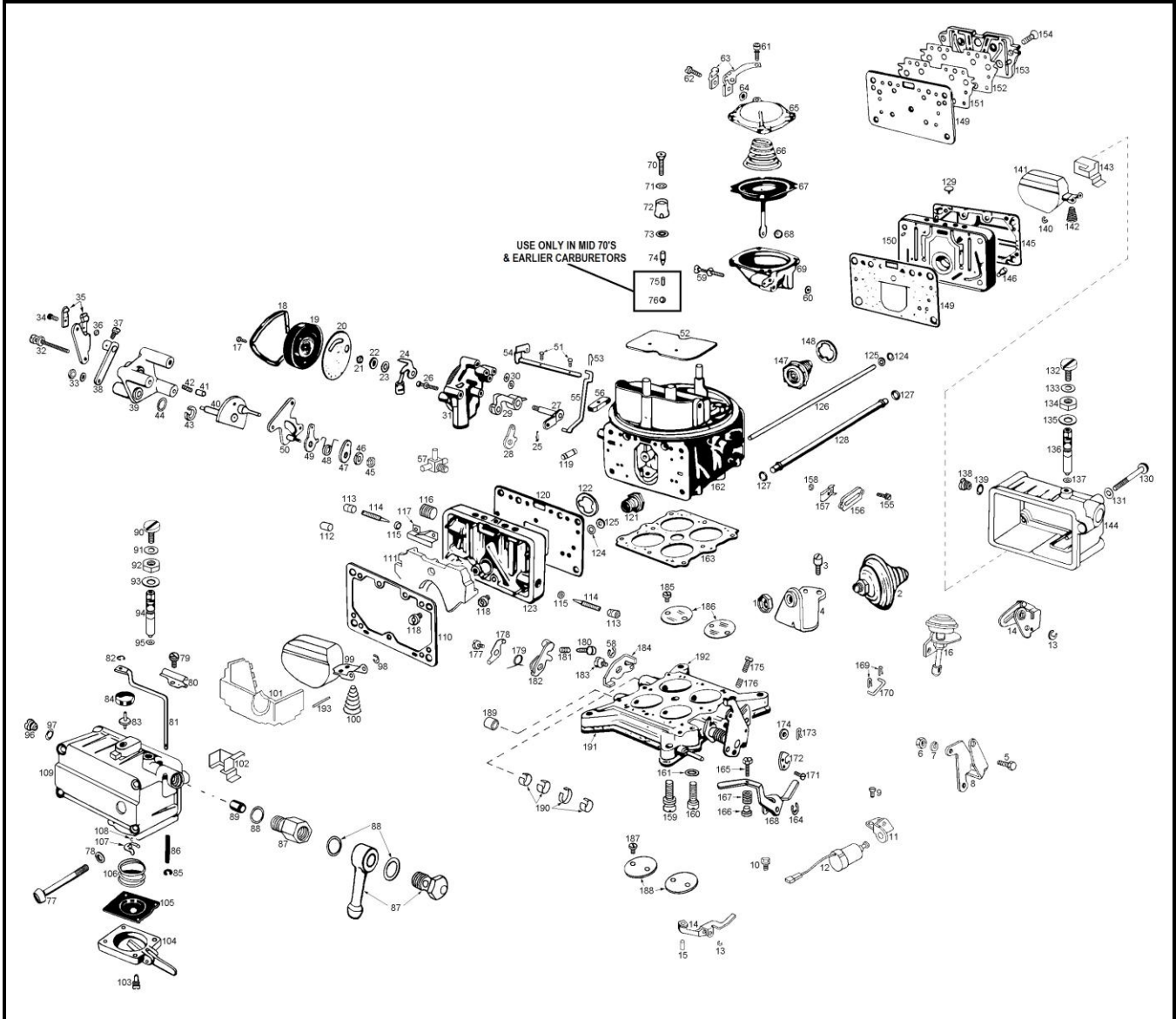
EXPLODED VIEW - MODEL 4011



NOMENCLATURE - MODEL 4011

| Ref. No. | Description | Ref. No. | Description |
|-----------------|---|-----------------|--|
| 1 | Fast Idle Cam Plate Screw | 2 | Choke Lever and Swivel Assembly |
| 3 | Choke Control Bracket | 4 | Fast Idle Cam Plate |
| 5 | Fast Idle Cam Spring | 6 | Fast Idle Cam |
| 7 | Choke Rod Retainer | 8 | Choke Lever Back-up Plate |
| 9 | Choke Rod Lever Molded | 10 | Choke Lever Spring |
| 11 | Choke Spring Retainer Washer | 12 | Push Nut Fastener |
| 13 | Fast Cam Lever Screw & Lockwasher | 14 | Cam Pick-up Lever |
| 15 | Fast Idle Cam Lever | 16 | Fast Idle Cam Adjustment Screw |
| 17 | Compression Nut | 18 | Thermostat Cap Clamp Screw |
| 19 | Thermostat Cap Clamp | 20 | Thermostat & cap Assembly Indexed |
| 21 | Thermostat Cap Gasket | 22 | Hex Nut |
| 23 | Lockwasher | 24 | Choke Thermostat Lever Spacer |
| 25 | Choke Thermostat Lever | 26 | Thermostat Lever and Piston Assembly |
| 27 | Choke Housing Screw | 28 | Choke Housing |
| 29 | Choke Housing Spacer | 30 | Choke Housing Shaft & Lever Assembly |
| 31 | Fast Idle Cam Assembly | 32 | Choke Housing Gasket |
| 33 | E-Ring Retainer | 34 | Secondary Diaphragm Housing Screw |
| 35 | Secondary Diaphragm Cover Screw | 36 | Secondary Diaphragm Cover |
| 37 | Secondary Diaphragm Spring | 38 | Secondary Diaphragm & Link Assembly |
| 39 | Check Ball | 40 | Secondary Diaphragm Housing |
| 41 | Secondary Diaphragm Housing Gasket | 42 | Secondary Diaphragm Lever Screw & Lockwasher |
| 43 | Secondary Diaphragm Lever Assembly | 44 | Cotter Pin - Throttle Connecting Rod |
| 45 | Secondary Connecting Rod | 46 | Secondary Operating Link |
| 47 | Throttle Stop Screw | 48 | Throttle Stop Adjusting Screw Spring |
| 49 | E-Ring Retainer | 50 | Pump Operating Lever Assembly |
| 51 | Fiber Locking Nut | 52 | Pump Lever Adjustment Screw |
| 53 | Pump Lever Adjustment Screw Spring | 54 | Pump Lever Stud |
| 55 | Pump Cam Screw | 56 | Pump Cam |
| 57 | E-Ring Retainer | 58 | Secondary Pump Operating Lever Assembly |
| 59 | Fiber Locking Nut | 60 | Secondary Pump Lever Adjustment Screw |
| 61 | Pump Lever Adjustment Screw Spring | 62 | Pump Lever Adjustment Screw Sleeve |
| 63 | Pump Lever Stud | 64 | Pump Diaphragm Cover Screw |
| 65 | Accelerator Pump Diaphragm Cover Assembly | 66 | Accelerator Pump Diaphragm Assembly |
| 67 | Pump Diaphragm Return Spring | 68 | Pump Check Valve |
| 69 | Power Valve Cover Screw | 70 | Power Valve Cover |
| 71 | Power Valve Cover Gasket | 72 | Power Valve - Primary |
| 73 | Power Valve Gasket | 74 | Power Valve Cover Screw |
| 75 | Power Valve Cover | 76 | Power Valve Cover Gasket |
| 77 | Power Valve - Secondary | 78 | Power Valve Gasket |
| 79 | Pump Diaphragm Cover Screw | 80 | Accelerator Pump Diaphragm Cover Assembly |
| 81 | Accelerator Pump Diaphragm Assembly | 82 | Pump Diaphragm Return Spring |
| 83 | Pump Check Valve | 84 | Air Cleaner Stud |
| 85 | Choke Plate Screw | 86 | Choke Plate |
| 87 | Choke Shaft & Lever Assembly | 88 | Choke Rod |
| 89 | Choke Rod Seal | 90 | Fuel Inlet Fitting |
| 91 | Fuel Inlet Fitting Gasket | 92 | Fuel Valve Seat Screw |
| 93 | Seat Lock Screw Gasket | 94 | Fuel Valve Seat Lock Nut |
| 95 | Needle and Seat Adjusting Nut Gasket | 96 | Fuel Inlet Needle & Seat Assembly |
| 97 | O-Ring | 98 | Airhorn Screw |
| 99 | Airhorn Gasket | 100 | Float and Tab Assembly |
| 101 | Float Shaft | 102 | Nozzle Bar Screw - Primary |
| 103 | Nozzle Bar Screw Gasket | 104 | Primary Nozzle Bar Assembly |
| 105 | Nozzle Bar Gasket | 106 | Nozzle Bar Screw - Secondary |
| 107 | Nozzle Bar Screw Gasket | 108 | Secondary Nozzle Bar Assembly |
| 109 | Nozzle Bar Gasket | 110 | Throttle Plate Screw |
| 111 | Primary Throttle Plate | 112 | Primary Throttle Lever |
| 113 | Primary Throttle Return Spring | 114 | Throttle Lever Bushing |
| 115 | Throttle Shaft and Stop Lever Assembly | 116 | Throttle Plate Screw |
| 117 | Secondary Throttle Plate | 118 | Secondary Throttle Shaft & Lever Assembly |
| 119 | Secondary Throttle Return Spring | 120 | Throttle Return Spring Pin |
| 121 | Primary Main Jet | 122 | Secondary Main Jet |
| 123 | Fuel Level Check Plug | 124 | Fuel Level Plug Gasket |
| 125 | Idle Adjustment Needle | 126 | Idle Adjustment Needle Spring |

EXPLODED VIEW - MODEL 4150/4160

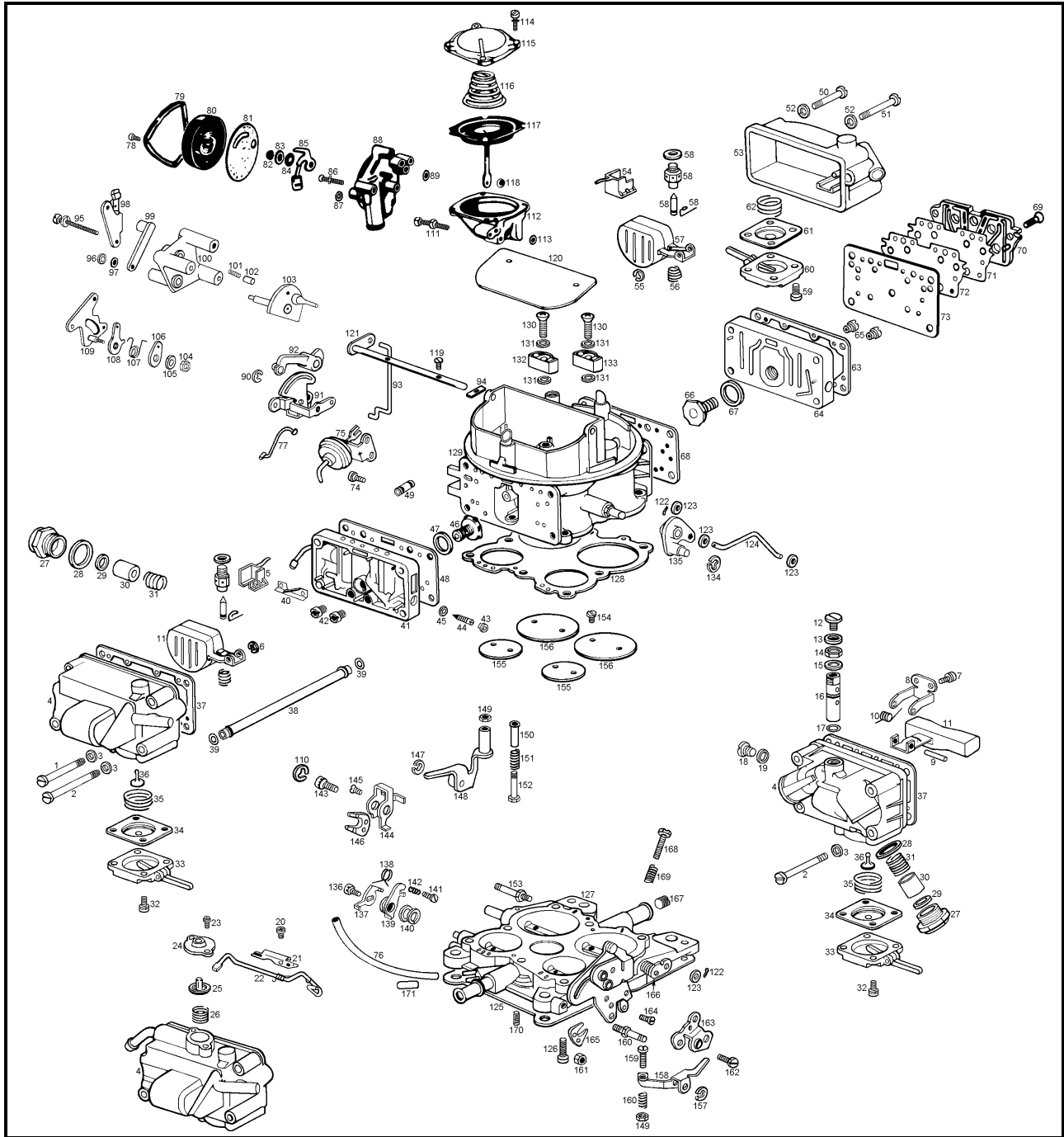


NOMENCLATURE - MODEL 4150/4160

| <i>Ref. No.</i> | <i>Description</i> | <i>Ref. No.</i> | <i>Description</i> |
|-----------------|---|-----------------|--|
| 1 | Dashpot Nut | 2 | Dashpot Assembly |
| 3 | Dashpot Bracket Screw | 4 | Dashpot Bracket |
| 5 | Throttle Lever Extension Screw | 6 | Throttle Lever Extension Nut |
| 7 | Lockwasher Extension Nut | 8 | Throttle Lever Extension |
| 9 | Solenoid Bracket Screw | 10 | Solenoid Bracket Screw |
| 11 | Solenoid Bracket | 12 | Solenoid Assembly |
| 13 | Cam Follower Retainer | 14 | Cam Follower Lever |
| 15 | Pump Operating Lever Screw Sleeve | 16 | Modulator Assembly |
| 17 | Thermostat Housing Clamp Screw | 18 | Thermostat Housing Clamp |
| 19 | Thermostat Housing Assembly | 20 | Thermostat Housing Gasket |
| 21 | Choke Thermostat Shaft Nut | 22 | Shaft Nut Lockwasher |
| 23 | Thermostat Lever Spacer | 24 | Thermostat Lever, Link & Piston Assembly |
| 25 | Choke Rod Retainer | 26 | Choke Housing Screw |
| 27 | Choke Housing Lever & Shaft Assembly | 28 | Choke Thermostat Lever |
| 29 | Fast Idle Cam Assembly | 30 | Choke Housing Gasket |
| 31 | Choke Housing Assembly | 32 | Fast Idle Cam Plate Screw |
| 33 | Choke Control Lever Nut & Lockwasher | 34 | Wire Bracket Clamp Screw |
| 35 | Choke Control Wire Bracket Clamp | 36 | Wire Bracket Clamp Screw Nut |
| 37 | Choke Lever Assembly Swivel Screw | 38 | Choke lever & Swivel Assembly |
| 39 | Fast Idle Cam Plate | 40 | Fast Idle Cam and Shaft Assembly |
| 41 | Fast idle Cam Plunger | 42 | Fast Idle Cam Plunger Spring |
| 43 | Choke Operating Lever Spring Washer | 44 | Choke Operating lever Washer |
| 45 | Back-up Plate Stud Nut | 46 | Stud Nut Lockwasher |
| 47 | Choke Spring Washer | 48 | Choke Spring |
| 49 | Choke Rod & Lever Bushing Assembly | 50 | Back-up Plate & Stud Assembly |
| 51 | Choke Plate Screw | 52 | Choke Plate |
| 53 | Choke rod Retainer | 54 | Choke lever & Shaft Assembly |
| 55 | Choke Rod | 56 | Choke Rod Seal |
| 57 | Four-way Hose Connector | 58 | Secondary Diaphragm Link Retainer |
| 59 | Secondary Diaphragm Housing Screw | 60 | Secondary Diaphragm Housing Gasket |
| 61 | Secondary Diaphragm Cover Screw | 62 | Wire Bracket & Clamp Screw |
| 63 | Wire Bracket Clamp | 64 | Clamp Screw Nut |
| 65 | Secondary Diaphragm Cover | 66 | Secondary Diaphragm Spring |
| 67 | Secondary Diaphragm Housing Check | 68 | Secondary Diaphragm Housing Check Ball |
| 69 | Secondary Diaphragm Housing | 70 | Pump Discharge Nozzle Screw |
| 71 | Pump Discharge Nozzle Screw Gasket | 72 | Pump Discharge Nozzle |
| 73 | Pump Discharge Nozzle Gasket | 74 | Pump Discharge Needle Valve |
| 75 | Pump Check Ball Weight | 76 | Pump Discharge Nozzle Check Ball |
| 77 | Primary Fuel Bowl Screw | 78 | Primary Fuel Bowl Screw Gasket |
| 79 | Air Vent Clamp Screw | 80 | Air Vent Rod Clamp |
| 81 | Air Vent rod | 82 | Air Vent Valve Retainer |
| 83 | Air Vent valve | 84 | Air Vent Cap |
| 85 | Air Vent Rod Spring Retainer | 86 | Air Vent Rod Spring |
| 87 | Fuel Inlet Fitting | 88 | Fuel Inlet Fitting Gasket |
| 89 | Fuel Inlet Filter | 90 | Primary Fuel Valve Seat Lockscrew |
| 91 | Fuel Valve Seat Lockscrew Gasket | 92 | Fuel Valve Seat Adjustment Nut |
| 93 | Fuel Valve Adjustment Nut Gasket | 94 | Primary Fuel Inlet & Valve Seat Assembly |
| 95 | Fuel Valve Seat O-Ring Seal | 96 | Fuel Level Check Plug |
| 97 | Fuel Level Check Plug Gasket | 98 | Float Retainer |
| 99 | Primary Float Assembly | 100 | Primary Float spring |
| 101 | Primary Fuel Bowl Filler | 102 | Primary Baffle Plate |
| 103 | Pump Diaphragm Cover Screw & Lockwasher | 104 | Primary Pump Diaphragm Cover Assembly |
| 105 | Primary Pump Diaphragm Assembly | 106 | Primary Diaphragm Return Spring |
| 107 | Primary Check Ball Retainer | 108 | Primary Check Ball or Check Valve |
| 109 | Primary Fuel Bowl Assembly | 110 | Primary Fuel Bowl Gasket |
| 111 | Primary Metering Body Filler | 112 | Vacuum Tube Plug |
| 113 | Idle Limiter Cap | 114 | Idle Adjustment Needle |
| 115 | Idle Adjustment Needle Seal | 116 | Spark Hole Plug |
| 117 | Metering Body Vent Baffle | 118 | Primary Metering jet |
| 119 | Tube & O-Ring Assembly | 120 | Primary Metering Body Gasket |
| 121 | Primary Power Valve Assembly | 122 | Primary Power Valve Gasket |
| 123 | Primary Metering Body Assembly | 124 | Balance Tube Washer |
| 125 | Balance Tube O-Ring Seal | 126 | Balance Tube |
| 127 | Fuel Line Tube O-Ring Seal | 128 | Fuel Line Tube |
| 129 | Secondary Bowl Vent Valve | 130 | Secondary Fuel Bowl Screw |
| 131 | Secondary Fuel Bowl Screw Gasket | 132 | Secondary Fuel Valve Seat Lock Screw |
| 133 | Fuel Valve Seat Lock Screw Gasket | 134 | Secondary Fuel Valve Seat Adjustment Nut |
| 135 | Fuel Valve Seat Adjustment Nut Gasket | 136 | Secondary Fuel Inlet Valve & Seat Assembly |
| 137 | Fuel Valve Seat O-Ring Seal | 138 | Secondary Fuel Level Check Plug |
| 139 | Fuel Level Check Plug Gasket | 140 | Float Retainer |

| | | | |
|-----|---|-----|---|
| 141 | Secondary Float Assembly | 142 | Secondary Float Spring |
| 143 | Secondary Baffle Plate | 144 | Secondary Fuel Bowl Assembly |
| 145 | Secondary Fuel Bowl Gasket | 146 | Secondary Metering Jet |
| 147 | Secondary Power Valve Assembly | 148 | Secondary Power Valve Gasket |
| 149 | Secondary Metering Body Gasket | 150 | Secondary Metering Body Assembly |
| 151 | Secondary Metering Body Plate | 152 | Secondary Metering Body Plate Gasket |
| 153 | Main Metering Body & Plugs Assembly - Secondary | 154 | Secondary Metering Body Screw |
| 155 | H.I.C. Cover Screw | 156 | H.I.C. Cover |
| 157 | Hot Idle Compensator Assembly | 158 | H.I.C. Seal |
| 159 | Throttle Body Screw & Lockwasher | 160 | Throttle Body Screw |
| 161 | Throttle Body Screw Gasket | 162 | Main Body Assembly |
| 163 | Throttle Body Gasket | 164 | Pump Operating Lever Retainer |
| 165 | Pump Lever Adjustment Screw | 166 | Pump Lever Adjustment Screw Fitting |
| 167 | Pump Lever Adjustment Screw Spring | 168 | Pump Lever |
| 169 | Throttle Connector Rod Cotter Pin | 170 | Throttle Connector Rod |
| 171 | Pump Cam Lock Screw | 172 | Pump Cam |
| 173 | Throttle Connector Pin Retainer | 174 | Throttle Connector Pin Washer |
| 175 | Throttle Stop Screw | 176 | Throttle Stop Screw Spring |
| 177 | Fast Idle Cam lever Screw & Lockwasher | 178 | Fast Idle Cam Pick-up Lever |
| 179 | Fast Idle Cam Lever Spring | 180 | Fast Idle Cam Lever Adjustment Screw |
| 181 | Fast Idle Cam Lever Adjustment Screw Spring | 182 | Fast Idle Cam Lever |
| 183 | Secondary Diaphragm Lever Assembly Screw | 184 | Secondary Diaphragm Lever Assembly |
| 185 | Secondary Throttle Plate Screw | 186 | Secondary Throttle Plate |
| 187 | Primary Throttle Plate Screw | 188 | Primary Throttle Plate |
| 189 | Primary Throttle Shaft Bearing (solid) | 190 | Throttle Shaft Bearing (Ribbon) Primary and Secondary |
| 191 | Flange Gasket | 192 | Throttle Body Assembly |
| 193 | Float Lever Shaft | 194 | Float Shaft Bracket Screw & Lockwasher |
| 195 | Float Shaft Retainer Bracket | 196 | Fuel Transfer Tube |
| 197 | Fuel Bowl Drain Plug | 198 | Fuel Bowl Plug |
| 199 | Fuel Bowl Plug Gasket | 200 | Fuel Transfer Tube Fitting Assembly |
| 201 | Choke Assembly - Complete (divorced) | 202 | Choke Shaft Lever |
| 203 | Idle By-pass Adjustment Screw | 204 | Choke Lever Screw and Lockwasher |
| 205 | Choke Piston Link Retainer | 206 | Fast Idle Cam Retainer |
| 207 | Choke Rod Clevis Clip | 208 | Idle By-pass Adjustment Screw Spring |
| 209 | Choke Piston Lever Spacer | 210 | Choke Piston and Link Assembly |
| 211 | Choke Control Lever | 212 | Fast Idle Cam Lever |
| 213 | Choke Diaphragm, Assy., Brkt. Screw, & Lockwasher | 214 | Fast Idle Cam lever Screw and Lockwasher |
| 215 | Fuel Inlet Filter Gasket | 216 | Choke Diaphragm Assembly - Complete |
| 217 | Choke Control Lever Retainer | 218 | Air Vent Rod Spring |
| 219 | Fuel Inlet Filter Spring | 220 | Fast Idle Cam Assembly |
| 221 | Choke Diaphragm Assembly Link | 222 | Choke Vacuum Tube |

EXPLODED VIEW - MODEL 4165/4175

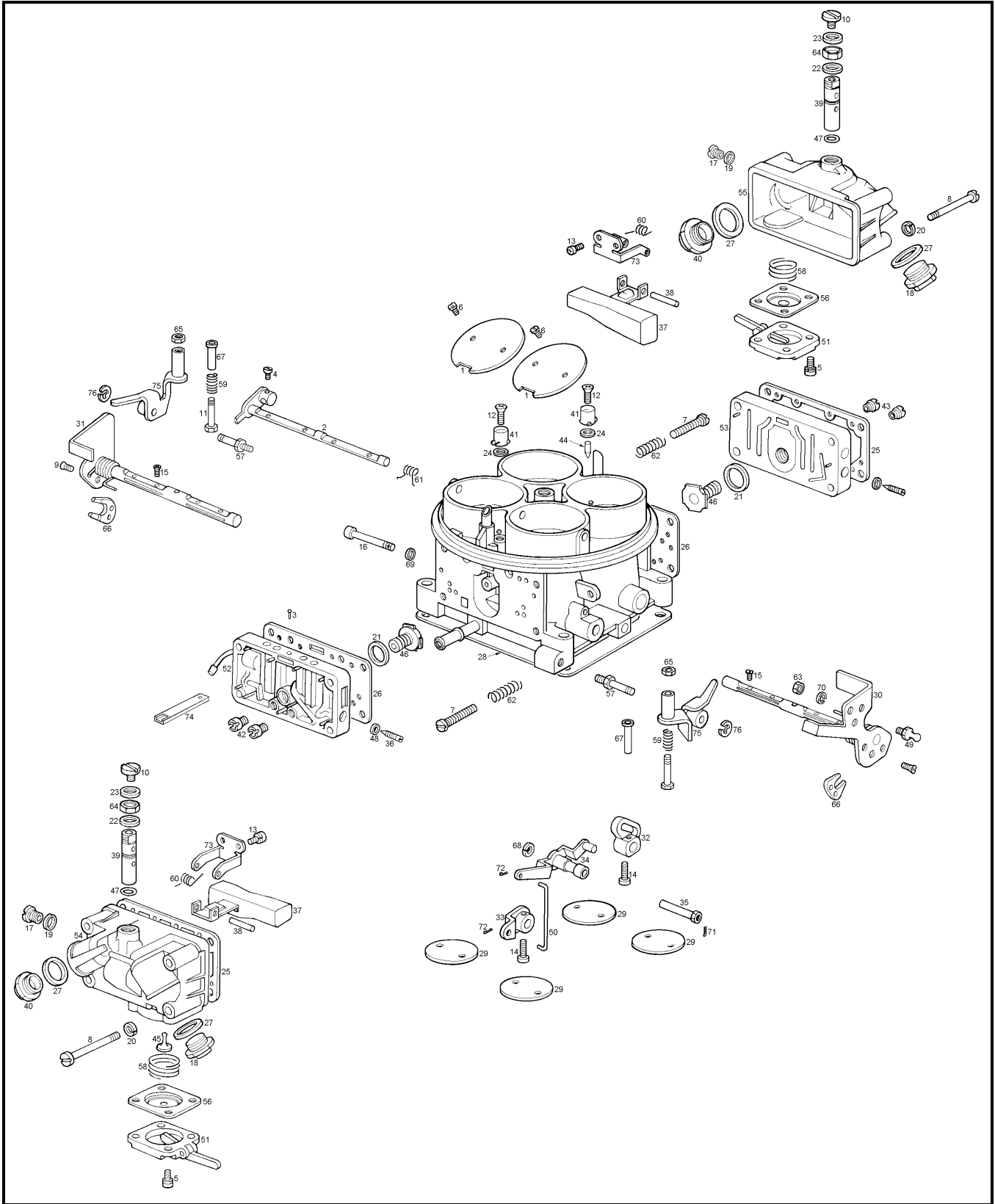


NOMENCLATURE - MODEL 4165/4175

| Ref. No. | Description | Ref. No. | Description |
|-----------------|--|-----------------|--|
| 1 | Fuel Bowl Screw (short) Primary | 2 | Fuel Bowl Screw (long) Primary |
| 3 | Fuel Bowl Screw Gasket Primary | 4 | Fuel Bowl Assembly Primary |
| 5 | Baffle Plate Primary | 6 | Float Retainer Primary |
| 7 | Float Shaft Bracket Screw & Lockwasher | 8 | Float Shaft Retainer Bracket |
| 9 | Float Shaft | 10 | Float Spring |
| 11 | Float Assembly Primary | 12 | Fuel Valve Seat Lock Screw |
| 13 | Fuel Valve Seat Lock Screw Gasket | 14 | Fuel Valve Seat Adjusting Nut |
| 15 | Fuel Valve Seat Adjusting Nut Gasket | 16 | Fuel Inlet Valve & Seat Assembly - Primary |
| 17 | Fuel Valve Seat O-Ring Seal | 18 | Fuel Level Check Plug |
| 19 | Fuel Level Check Plug Gasket | 20 | Vent Rod Clamp Screw & Lockwasher |
| 21 | Vent Rod Clamp | 22 | Vent Rod |
| 23 | Vent Valve Screw | 24 | Vent Valve Clamp Assembly |
| 25 | Vent Valve | 26 | Vent Valve Spring |
| 27 | Fuel Inlet fitting | 28 | Fuel Inlet Fitting Gasket |

| | | | |
|-----|--|-----|---|
| 29 | Fuel Inlet Filter Gasket | 30 | Fuel Inlet Filter |
| 31 | Fuel Inlet Filter Spring | 32 | Accelerator Pump Cover Screw & Lockwasher primary |
| 33 | Accelerator Pump Cover Primary | 34 | Accelerator Pump Diaphragm Assembly Primary |
| 35 | Accelerator Pump Diaphragm Spring Primary | 36 | Accelerator Pump Check Valve Primary |
| 37 | Fuel Bowl Gasket Primary | 38 | Fuel Line Tube |
| 39 | Fuel Line Tube O-Ring Seal | 40 | Metering Body Vent Baffle |
| 41 | Metering Body Assembly Primary | 42 | Main Metering Jet Primary |
| 43 | Idle Limiter Cap | 44 | Idle Adjusting Needle |
| 45 | Idle Adjusting Needle Seal | 46 | Power Valve Assembly Primary |
| 47 | Power Valve Gasket Primary | 48 | Metering Body Gasket Primary |
| 49 | Tube & O-Ring Assembly | 50 | Fuel Bowl Screw (short) Secondary |
| 51 | Fuel bowl Screw (long) Secondary | 52 | Fuel Bowl Screw Gasket Secondary |
| 53 | Fuel bowl Assembly Secondary | 54 | Baffle Plate Secondary |
| 55 | Float Retainer Secondary | 56 | Float Spring |
| 57 | Float Assembly Secondary | 58 | Fuel Inlet Valve & Seat Assembly Secondary |
| 59 | Accelerator Pump Cover Screw & Lockwasher Sec. | 60 | Accelerator Pump Cover Secondary |
| 61 | Accelerator Pump Diaphragm Assembly Secondary | 62 | Accelerator Pump diaphragm Spring Secondary |
| 63 | Fuel Bowl Gasket Secondary | 64 | Metering Body Assembly Secondary |
| 65 | Main Metering Jet Secondary | 66 | Power Valve Assembly Secondary |
| 67 | Power Valve gasket Secondary | 68 | Metering Body Gasket Secondary |
| 69 | Secondary Metering Body Screw | 70 | Secondary Metering Body |
| 71 | Secondary metering Body Plate Gasket | 72 | Secondary Metering Body Plate |
| 73 | Secondary Metering Body Gasket | 74 | Choke Diaphragm Bracket Screw & Lockwasher |
| 75 | Choke Diaphragm Assembly | 76 | Choke Diaphragm Hose |
| 77 | Choke Diaphragm Link | 78 | Thermostat Housing Clamp Screw |
| 79 | Thermostat Housing Clamp | 80 | Thermostat Housing Assembly |
| 81 | Thermostat Housing Gasket | 82 | Thermostat Shaft Nut |
| 83 | Thermostat Shaft Nut Lockwasher | 84 | Thermostat Lever Spacer |
| 85 | Thermostat Lever, Link & Piston Assembly | 86 | Choke Housing Screw |
| 87 | Choke Housing Screw Lockwasher | 88 | Choke Housing Assembly |
| 89 | Choke Housing Gasket | 90 | Choke Control Lever Retainer |
| 91 | Choke Control lever and/or Shaft Assembly | 92 | Fast idle Cam |
| 93 | Choke Rod | 94 | Choke Rod Seal |
| 95 | Fast idle Cam Plate Screw & Lockwasher | 96 | Choke Control Lever Nut |
| 97 | Choke Control Lever Lockwasher | 98 | Choke Wire Bracket |
| 99 | Choke Lever & Swivel Assembly | 100 | Fast Idle Cam Plate |
| 101 | Fast Idle Cam Plunger Spring | 102 | Fast Idle Cam Plunger |
| 103 | Fast Idle Cam & Shaft Assembly | 104 | Back-up Plate Stud Nut |
| 105 | Back-up Plate Stud Nut Lockwasher | 106 | Choke Spring Washer |
| 107 | Choke Spring | 108 | Choke Rod Lever & Bushing Assembly |
| 109 | Back-up Plate & Stud Assembly | 110 | Secondary Diaphragm Link Retainer |
| 111 | Diaphragm Housing Screw & Lockwasher | 112 | Secondary Diaphragm Housing |
| 113 | Secondary Diaphragm Housing Gasket | 114 | Secondary Housing Cover Screw & Lockwasher |
| 115 | Secondary Housing Cover | 116 | Secondary Diaphragm Spring |
| 117 | Secondary Diaphragm & Rod Assembly | 118 | Diaphragm Housing Check Ball |
| 119 | Choke Plate Screw | 120 | Choke Plate |
| 121 | Choke Shaft Assembly | 122 | Secondary Connect Rod Retainer |
| 123 | Secondary Connect Rod Washer | 124 | Secondary Connect Rod |
| 125 | Flange Gasket | 126 | Throttle Body Screw & Lockwasher |
| 127 | Throttle Body & Shaft Assembly | 128 | Throttle Body Gasket |
| 129 | Main Body Assembly | 130 | Pump Discharge Nozzle Screw |
| 131 | Pump Discharge Nozzle Gasket | 132 | Pump Discharge Nozzle Primary |
| 133 | Pump Discharge Nozzle Secondary | 134 | Cam Follower Lever Assembly Retainer |
| 135 | Cam Follower Lever Assembly | 136 | Fast Idle Cam Lever Screw & Lockwasher |
| 137 | Fast Idle Pick-up lever | 138 | Fast Idle Cam lever Spring |
| 139 | Fast Idle Cam Lever | 140 | Throttle Seal Washer |
| 141 | Fast Idle Cam Lever Adjusting Screw | 142 | Fast Idle cam lever Screw Spring |
| 143 | Pump Cam Lever Screw & Lockwasher | 144 | Pump Cam Lever Secondary |
| 145 | Pump Cam Screw | 146 | Pump Cam Secondary |
| 147 | Pump Operating Lever Retainer Secondary | 148 | Pump Operating Lever & Guide Assembly Secondary |
| 149 | Pump Operating Lever Adjusting Nut | 150 | Pump Operating lever Screw Sleeve |
| 151 | Pump Lever Adjusting Screw Spring Secondary | 152 | Pump Operating Lever Adjusting Screw |
| 153 | Pump lever Stud Secondary | 154 | Throttle Plate Screw |
| 155 | Throttle Plate Primary | 156 | Throttle Plate Secondary |
| 157 | Pump Operating Lever Retainer Primary | 158 | Pump Operating Lever Primary |
| 159 | Pump Lever Adjusting Screw Primary | 160 | Pump Lever Stud Primary |
| 161 | Throttle Lever Extension Screw Nut | 162 | Throttle Lever Extension Screw |
| 163 | Throttle Lever Extension | 164 | Pump Cam Screw Primary |
| 165 | Throttle Return Spring | 166 | Throttle Return Spring Secondary |
| 167 | Throttle Body Channel Plug | 168 | Throttle Stop Screw |
| 169 | Throttle Stop Screw Spring | 170 | Pump Lever Adjusting Screw |
| 171 | Vacuum Tube Plug | | |

EXPLODED VIEW - MODEL 4500



NOMENCLATURE - MODEL 4500

| <i>Ref. No.</i> | <i>Description</i> | <i>Ref. No.</i> | <i>Description</i> |
|-----------------|---|-----------------|---|
| 1 | Choke Plate | 2 | Choke Shaft Assembly |
| 3 | Fuel Bowl Vent Baffle Drive Screw | 4 | Choke Shaft Swivel Screw |
| 5 | Fuel Pump Cover Screw & Lockwasher | 6 | Choke Plate Screw & Lockwasher |
| 7 | Throttle Stop Screw | 8 | Fuel bowl Screw |
| 9 | Pump Cam Lock Screw | 10 | Fuel Valve Seat Lock Screw |
| 11 | Pump Operating Adjustment Screw | 12 | Pump Discharge Nozzle Screw |
| 13 | Float Shaft Bracket Screw & Lockwasher | 14 | Throttle Shaft Screw |
| 15 | Throttle Plate Screw | 16 | Pivot Screw |
| 17 | Fuel Level Check Plug | 18 | Fuel Inlet Plug |
| 19 | Fuel Level check Plug Gasket | 20 | Fuel Bowl Screw Gasket |
| 21 | Power Valve Gasket | 22 | Fuel Valve Seat Adjustment Nut Gasket |
| 23 | Fuel Valve Seat Lock Screw Gasket | 24 | Pump Discharge Nozzle Gasket |
| 25 | Fuel Bowl Gasket | 26 | Metering Body Gasket - Primary & Secondary |
| 27 | Fuel Inlet Fitting & Plug Gasket | 28 | Flange Gasket |
| 29 | Throttle Plate | 30 | Throttle Shaft Assembly - Primary |
| 31 | Throttle Shaft Assembly - Secondary | 32 | Primary throttle Lever (internal) |
| 33 | Secondary Throttle Lever & Bushing Assembly | 34 | Intermediate Throttle Lever Assembly (complete) |
| 35 | Threaded Guide Bushing | 36 | Idle Adjusting Needle |
| 37 | Float & Hinge Assembly | 38 | Float Shaft |
| 39 | Fuel Valve & Seat Assembly | 40 | Fuel Inlet Fitting |
| 41 | Pump Discharge Nozzle | 42 | Main Jet - Primary |
| 43 | Main Jet - Secondary | 44 | Pump Discharge Needle Valve |
| 45 | Pump Check Valve | 46 | Power Valve Assembly |
| 47 | Fuel Valve Seat O-Ring Seal | 48 | Idle Adjusting Needle Seal |
| 49 | Throttle Lever Ball | 50 | Connecting Link |
| 51 | Fuel Pump Cover Assembly | 52 | Metering Body & Plugs Assembly - Primary |
| 53 | Metering Body & Plugs Assembly - Secondary | 54 | Fuel Bowl - Primary |
| 55 | Fuel Bowl - Secondary | 56 | Pump Diaphragm Assembly |
| 57 | Pump Lever Stud | 58 | Diaphragm Return Spring |
| 59 | Pump Operating Adjustment Screw Spring | 60 | Float Spring |
| 61 | Choke Spring | 62 | Throttle Stop Screw Spring |
| 63 | Throttle Lever Ball Nut | 64 | Fuel Valve Seat Adjustment Nut |
| 65 | Pump Operating Adjustment Nut | 66 | Pump Cam |
| 67 | Pump Operating Lever Screw Sleeve | 68 | Pivot Screw Lockwasher |
| 69 | Pivot Screw Washer | 70 | Throttle Lever Ball Lockwasher |
| 71 | Pivot Screw Cotter Pin | 72 | Connecting Link Cotter Pin |
| 73 | Float Shaft Retaining Bracket | 74 | Fuel Bowl Vent Baffle |
| 75 | Pump Operating lever and Guide Assembly | 76 | Pump Operating Lever Retainer |