



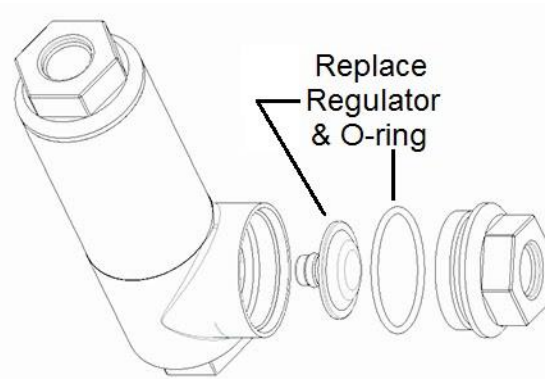
HOLLEY FILTER- REGULATOR REBUILD KIT P/N 12-878 (for 12-875 & 12-876 kits) Installation Instructions 199R11015

WARNING! These instructions must be read and fully understood before beginning the installation. Failure to follow these instructions may result in poor performance, vehicle damage, personal injury, or death. If these instructions are not fully understood, installation should not be attempted.

INTRODUCTION:

Congratulations on your purchase of the Holley Filter-Regulator Rebuild Kit! Holley Performance Products cannot and will not be responsible for any alleged or actual engine or other damage, or other conditions resulting from misapplication of the parts described herein.

1. Remove the existing fuel return line. Remove the return line outlet fitting to expose the regulator as seen in the diagram below.
2. Pry out the regulator with a small flat blade screwdriver. Pry from alternate sides until removed.
3. Install the new regulator by pressing on the perimeter flange only until it bottoms in the housing.
4. Replace the O-ring on the return fitting and torque to 350-400 in./lbs.



CAUTION! While performing the following steps, if any fuel leaks are detected, immediately turn the fuel pump OFF, remove any spilled fuel and repair the leak(s) before proceeding!

5. Turn the fuel pump ON **without starting the engine by turning the ignition key to the "ON" position**, allow the pump to run for several seconds, and check the fuel pressure gauge (if applicable). If there is no pressure, turn the fuel pump OFF, wait one minute, then turn the fuel pump ON and recheck the pressure. Repeat this fuel pump OFF and ON procedure until the fuel pressure gauge registers pressure or you detect a fuel leak.
6. It may be necessary to loosen the fuel line fitting at the pressure regulator to bleed off excessive air in the system. Tighten any fuel line fittings that were loosened and ensure that any spilled fuel is cleaned up and removed from the vicinity of the vehicle.
7. Test drive the vehicle to ensure proper operation and re-check the fuel system for leaks.
8. **If any leaks are found, immediately discontinue use of the vehicle and repair the leak(s)!**