

Premium Suction



suction pipe RH
HKS vs stock



suction pipe LH
HKS vs stock

I.D. stock $\phi 45$
HKS $\phi 53$



■ Feature

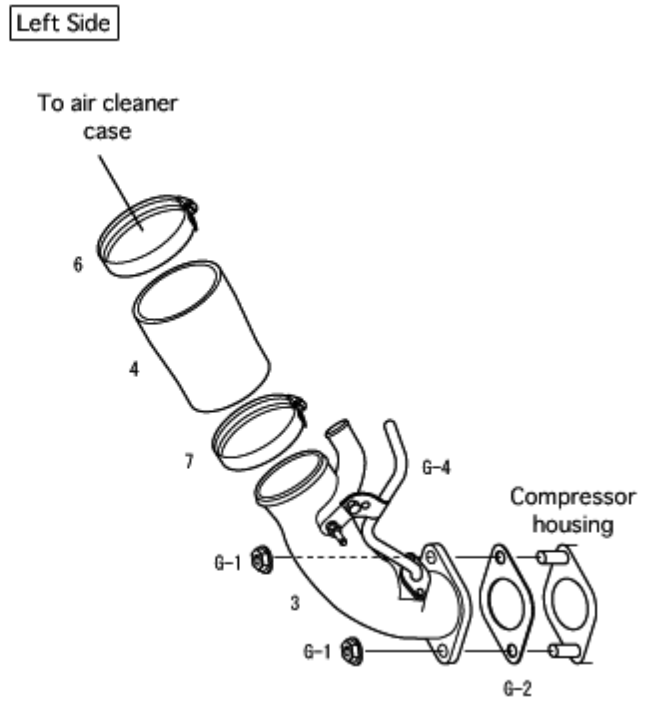
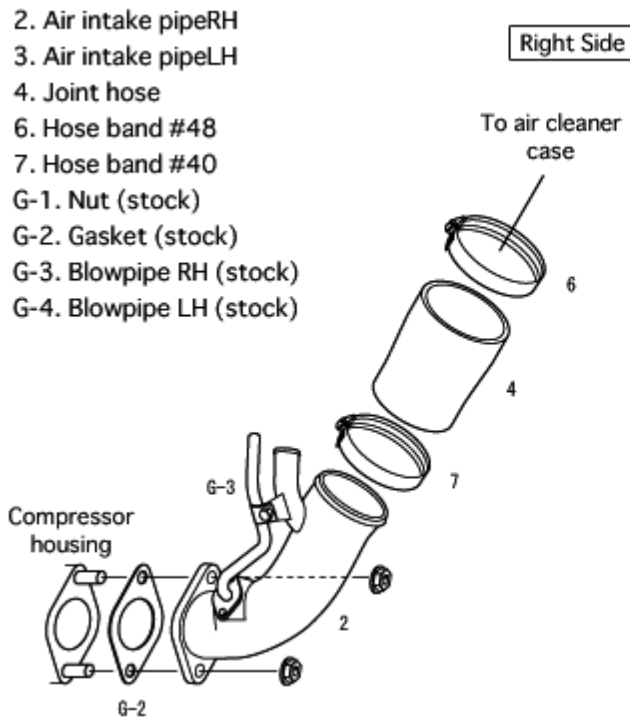
- Inner diameter of HKS' specially designed cast aluminum suction pipe is enlarged to $\phi 53$ comparing to the stock $\phi 45$.
- By large inner diameter of the pipe, restriction of [intake air](#) flow is reduced and the bottle neck at high boost level is solved.
- The beautiful aluminum polished finish pipes cannot be visible when it's installed; but, the performance improvement is guaranteed.

Stock air element part #
16546-JF00A

Super Hybrid Filter in the kit
70017-AN005 (2 pcs set)



- 2. Air intake pipeRH
- 3. Air intake pipeLH
- 4. Joint hose
- 6. Hose band #48
- 7. Hose band #40
- G-1. Nut (stock)
- G-2. Gasket (stock)
- G-3. Blowpipe RH (stock)
- G-4. Blowpipe LH (stock)



Vehicle	Classification	Model	Engine	Model Year	Style	Size	Code No.	Price	Remarks
GT-R	CBA-, DBA-	R35	VR38DETT	07/12-	Premium Suction	NISSAN TYPE5	70018-AN007		Replace air inlet pipe between stock air cleaner box and compressor housing. It can be used with Racing Suction Reloaded (70020-AN016).