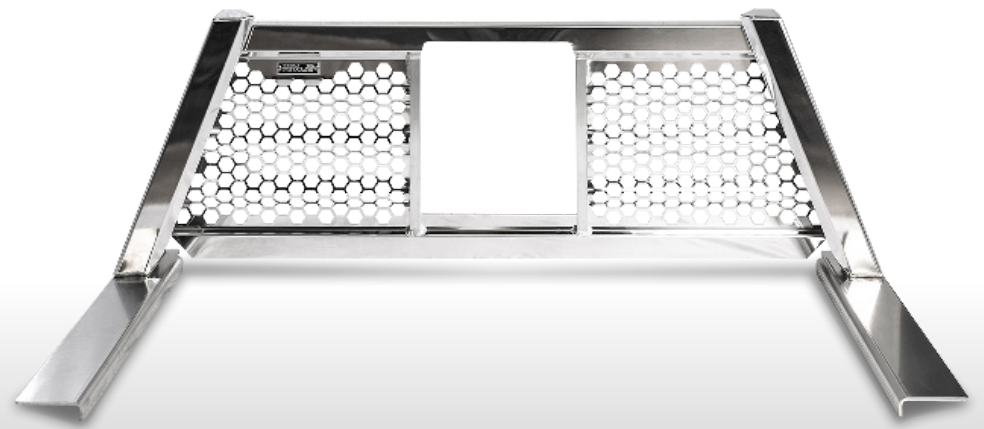


# HEADACHE RACKS

## ASSEMBLY AND INSTALLATION

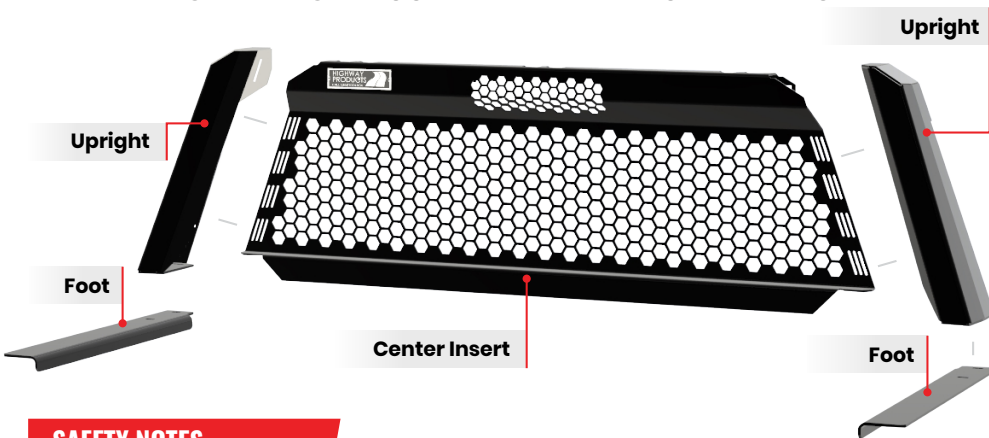


### INSTALLATION NOTE

Configurations between different styles will vary but assembly is not affected.

## PARTS & REFERENCE GUIDE

### HEADACHE RACK ASSEMBLY AND INSTALLATION



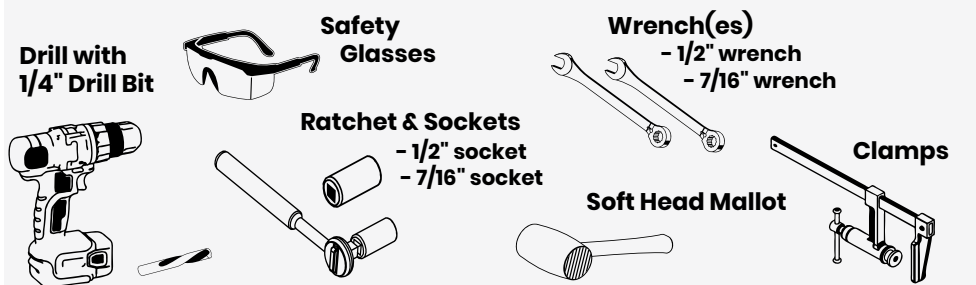
### SAFETY NOTES

- Use safety glasses when using tools or working under a vehicle.
- Perform all work on dry and level ground.
- Ensure vehicle's parking brake is engaged and wheels are chocked.
- Some Headache Racks may require more than one person for lifting and installing the product.
- Do not over tighten hardware.

### Hardware List

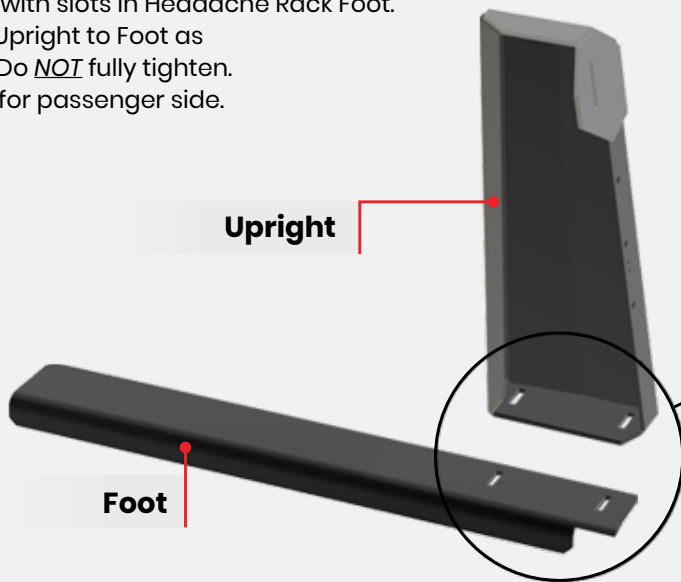
- |  |  |   |
|--|--|---|
| <b>1 SS Washer</b><br>Flat 1/4"<br>#030-10027 Qty. 14        | <b>2 Zinc Washer</b><br>Flat 5/16"<br>#030-05024 Qty. 4  | <b>3 SS Acorn Nut - 1/4"</b><br>#030-10026 Qty. 10            |
| <b>4 Star Lock Nut - 1/4"</b><br>#030-15026 Qty. 4           | <b>5 Star Lock Nut - 5/16"</b><br>#030-15026 Qty. 4      | <b>6 SS Carriage Bolt</b><br>1/4" x .6"<br>#030-10025 Qty. 10 |
| <b>7 SS Carriage Bolt</b><br>5/16" x 1"<br>#030-10039 Qty. 4 | <b>8 SS Allen Head</b><br>1/4" x 2"<br>#030-10010 Qty. 4 | <b>9 Hex Key - Long Arm</b><br>#030-15085 Qty. 1              |
| <b>10 Weather Strip - 4" x 3/8"</b><br>#050-10002 Qty. 2     |  |   |

### Tools Required



### Step 1

- Align slots on the driver's side Headache Rack Upright with slots in Headache Rack Foot.
- Attach Upright to Foot as shown. Do **NOT** fully tighten.
- Repeat for passenger side.

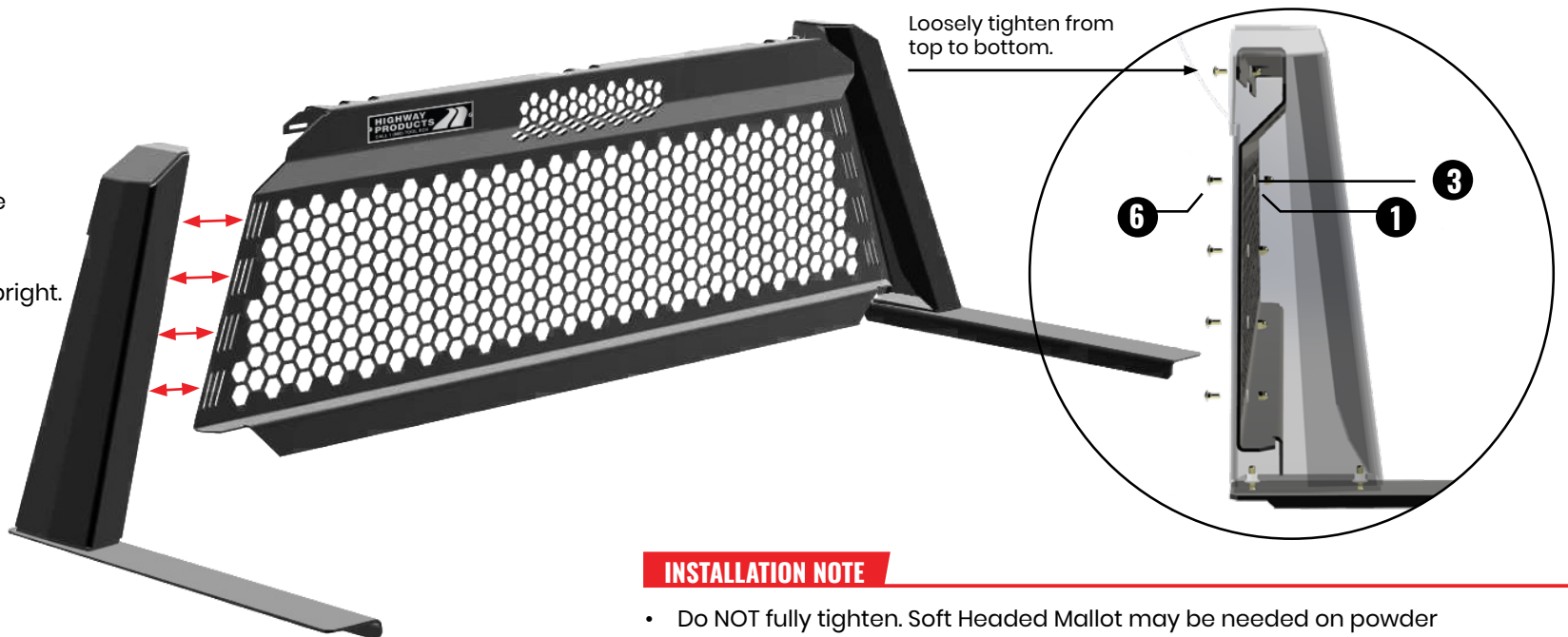


### INSTALLATION NOTE

- **Skip Step 1** if you are installing The Beast or The Savage Series Headache Rack.
- **TIP:** If installing a Headache Rack with **Full-Length Truck Bed Rails**, attach the upright to Truck Bed Rail instead of the Headache Rack Feet.

### Step 2

- Align square holes (located on the Upright) with the slots in the Center Insert.
- Attach the Upright to the Center Insert. Start with top hardware first and work towards base of upright.
- Repeat for passenger side Upright.

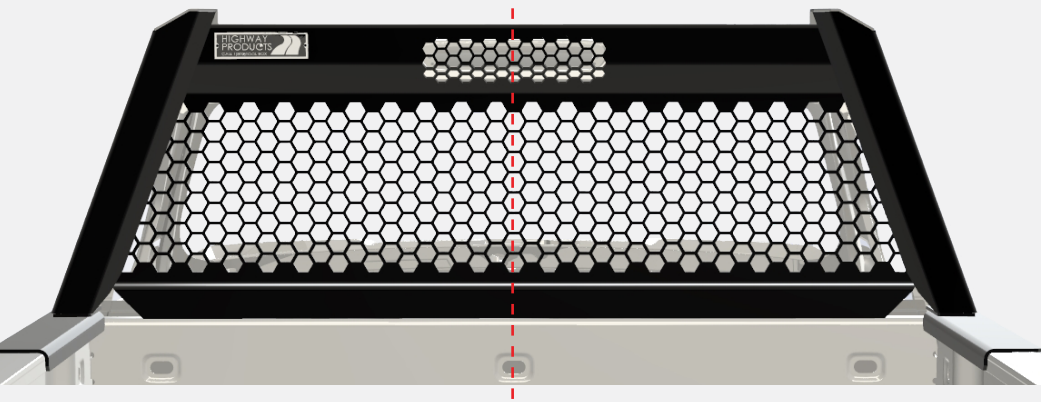


### INSTALLATION NOTE

- Do **NOT** fully tighten. Soft Headed Mallet may be needed on powder coated Headache Racks.

### Step 3

- Place Headache Rack Assembly on truck bed. Use clamps if necessary.
- Align the Center Insert with the middle of the truck bed.

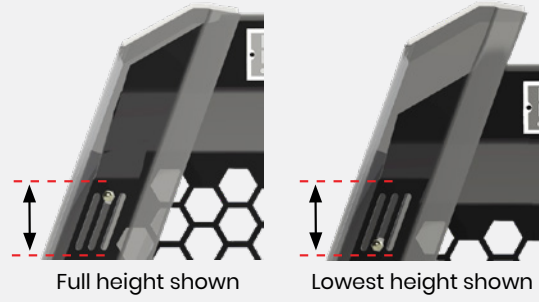


#### INSTALLATION NOTE

- If the Headache Rack Center Insert is adjusted to the lowest position, a wrench must be used to tighten the Uprights to the Feet.



- A** Slide Headache Rack Feet inward or outward to desired fit.



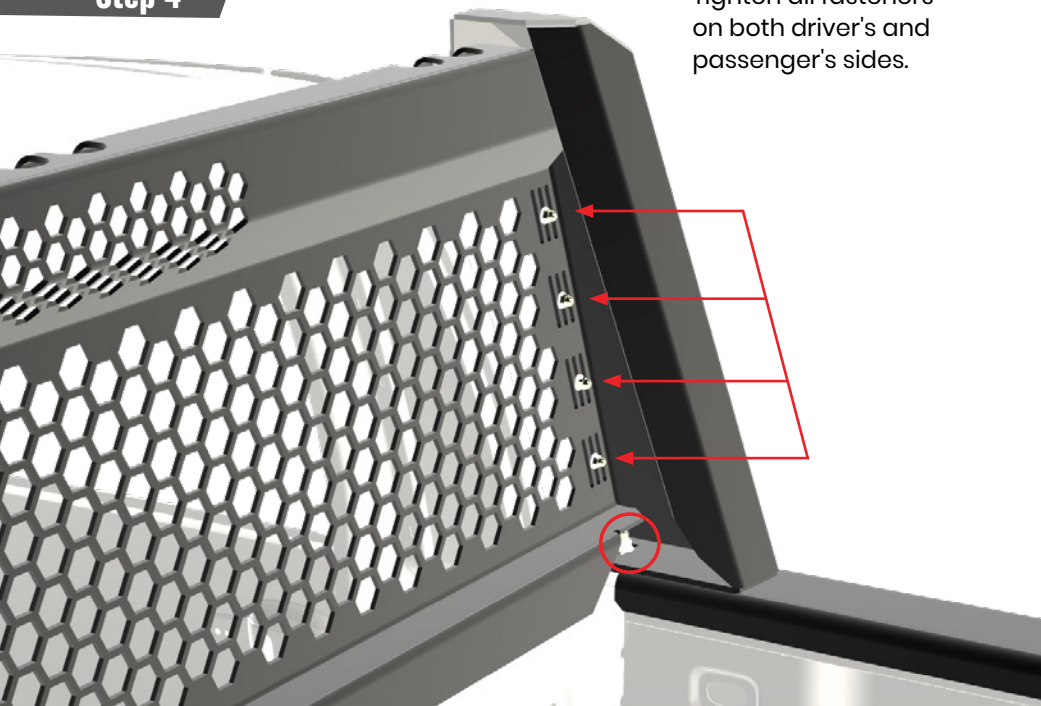
- B** Slide Headache Rack Center Insert up or down until you reach the desired height.

Full height shown

Lowest height shown

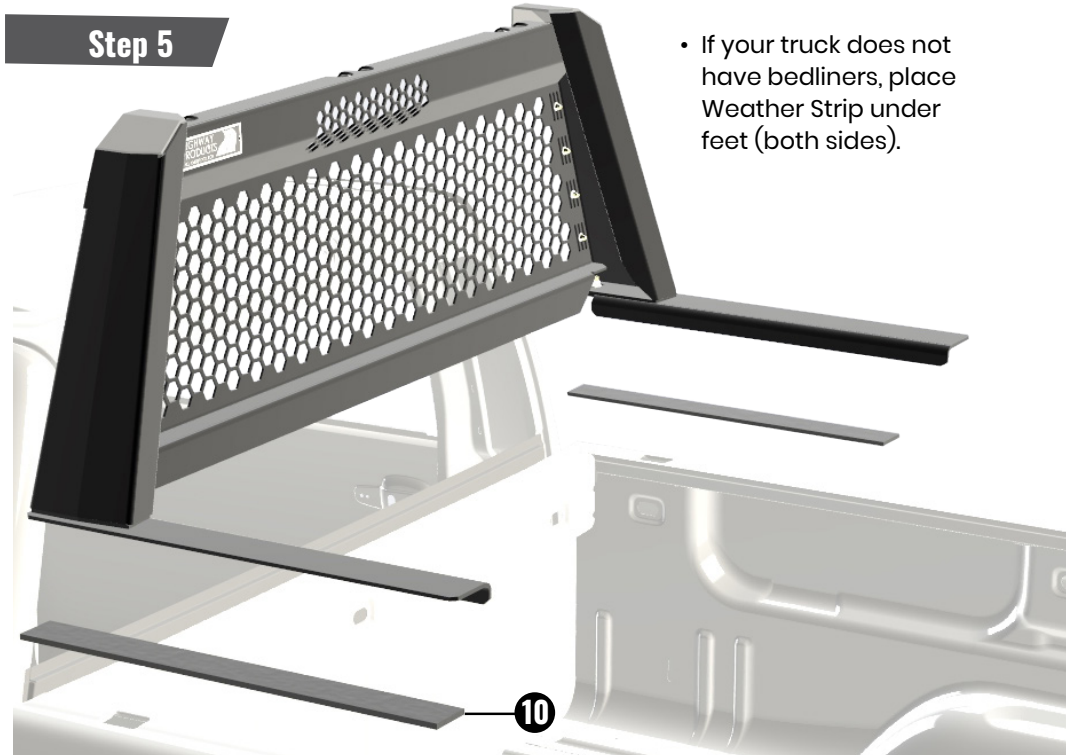
### Step 4

- Tighten all fasteners on both driver's and passenger's sides.



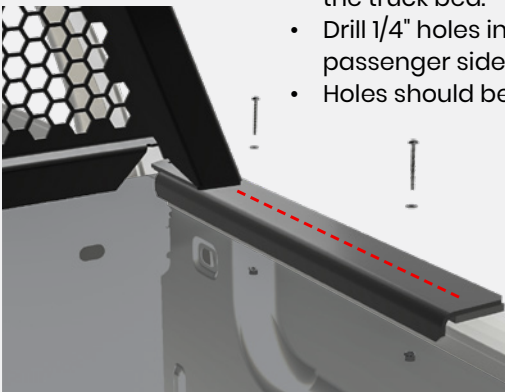
### Step 5

- If your truck does not have bedliners, place Weather Strip under feet (both sides).



### Step 6

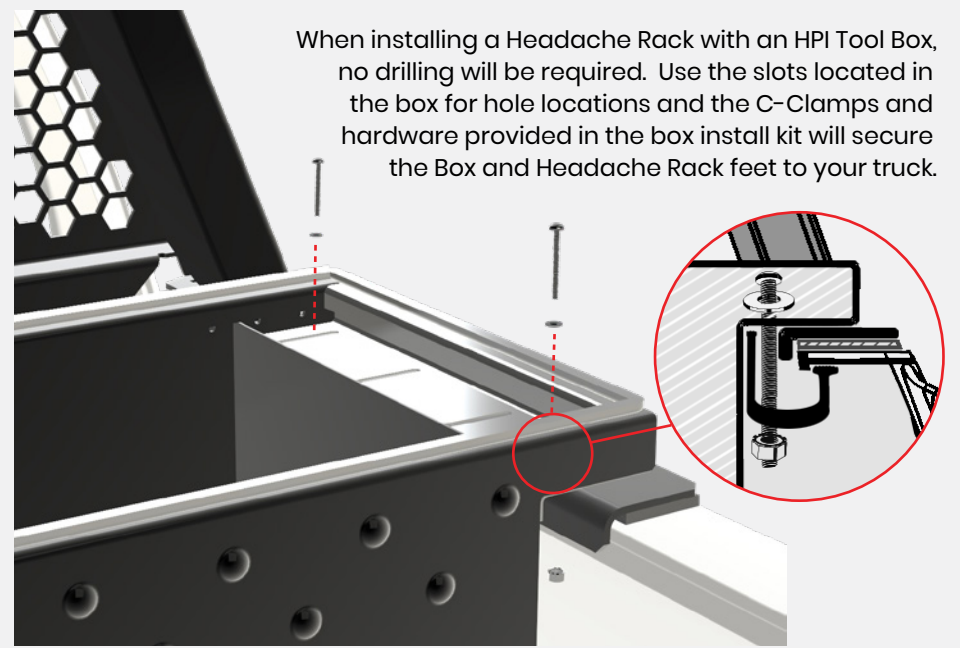
- Ensure Headache Rack is centered with the middle of the truck bed.
- Drill 1/4" holes in Headache Rack Feet (both driver and passenger side) as shown.
- Holes should be centered between width of each Foot.



A top down view

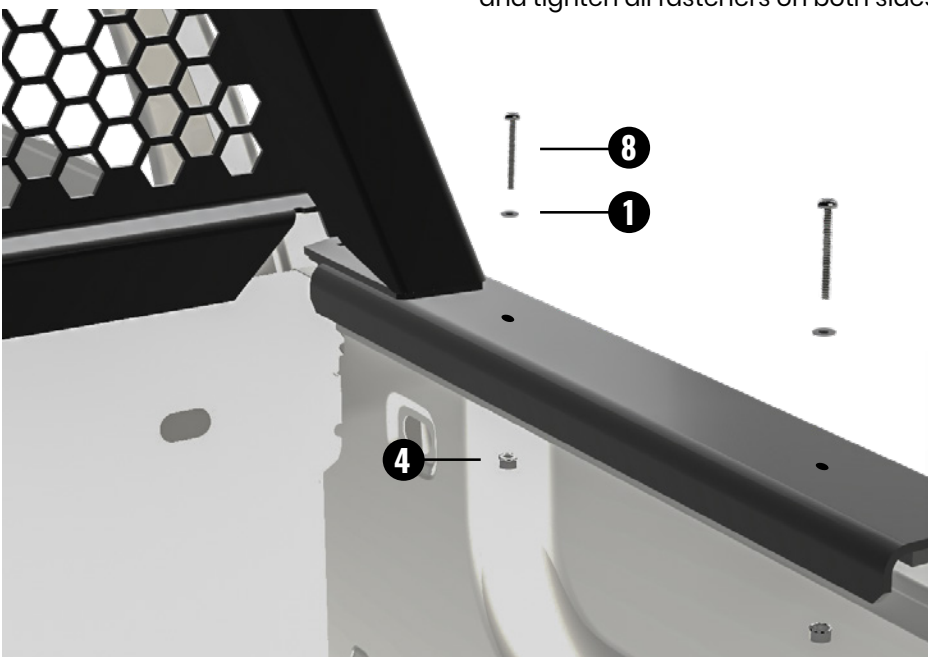
#### INSTALLATION NOTE

When installing a Headache Rack with an HPI Tool Box, no drilling will be required. Use the slots located in the box for hole locations and the C-Clamps and hardware provided in the box install kit will secure the Box and Headache Rack feet to your truck.



### Step 7

- Secure Headache Rack Feet to truck bed and tighten all fasteners on both sides.



#### HEADACHE RACK INSTALLATION COMPLETE



Looking for dependable truck bed accessories? Rely on Highway Products for quality and long-lasting products.