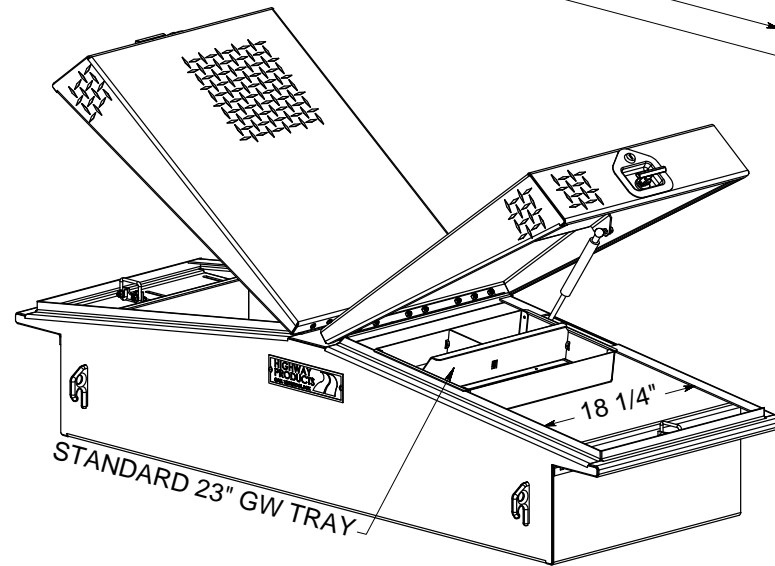
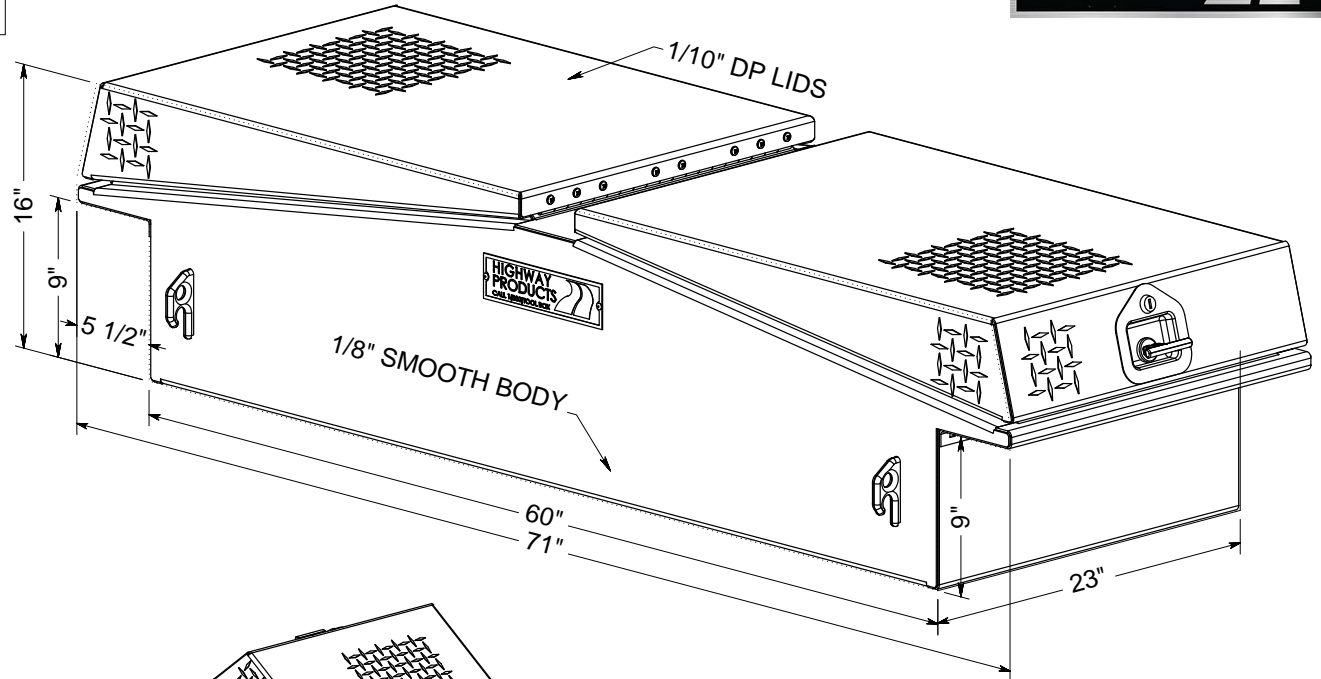




REVISIONS	
REV.	DESCRIPTION
AB	CHANGED TO HPI HANSEN T-LATCH, CHANGED BA



OPTIONS	YES	NO
LOCK	1P	
STANDARD TRAY	X	
ID PLATE	X	
GAS CYLINDER	X	
DRAIN HOLES	X	

MATERIAL: **ALUMINUM**

FINISH: **DP & SMOOTH**

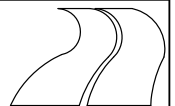
REVISION: AB	DRAWN BY: JAG
Overview	APVL BY:

PROJECT #:

TOLERANCES:
 ANGULAR $\pm 2^\circ$
 FRACTIONAL $\pm 3/16"$
 TWO PLACE DECIMAL $\pm .125$
 THREE PLACE DECIMAL $\pm .0625$

SPECIAL INSTRUCTIONS:
 DIE COMBINATION
 R.188 TOP 1.125 BOTTOM

HIGHWAY PRODUCTS



PICK UP GULL WING DOUBLE LID
 SADDLE TOOL BOX