

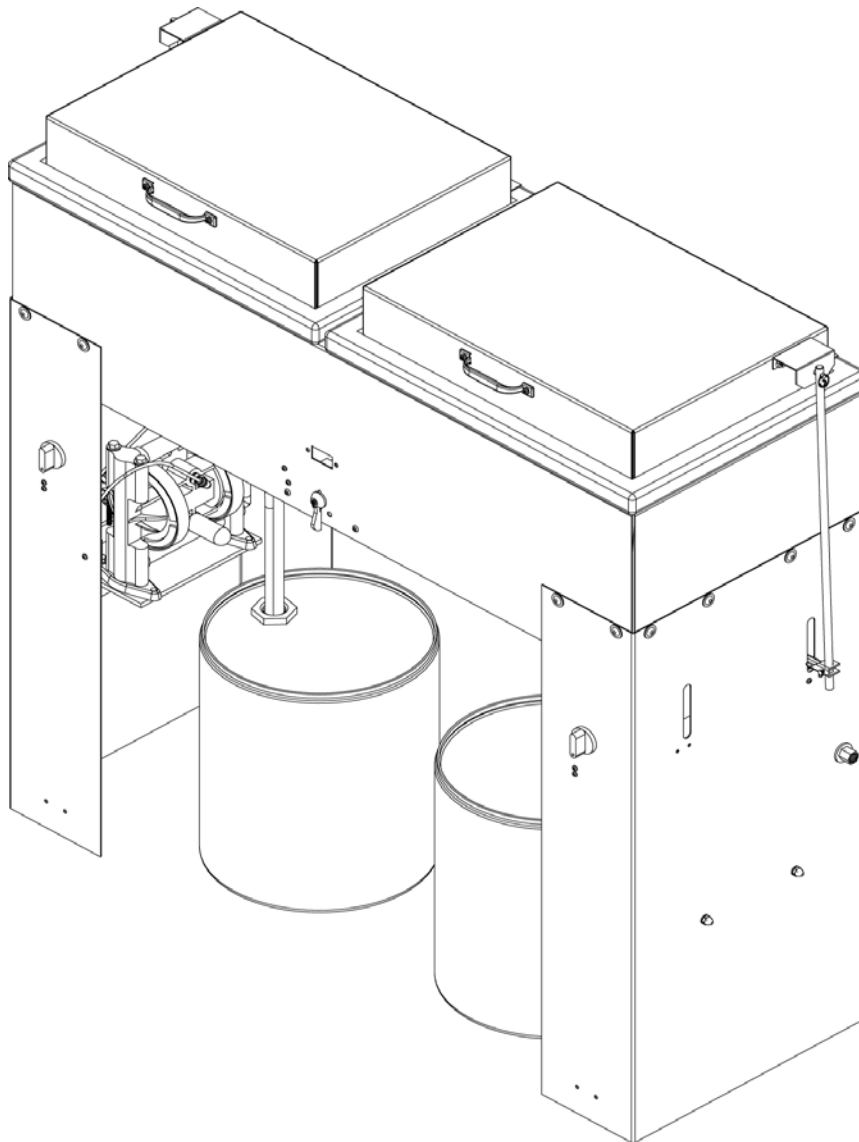
## *G375*

### ***OWNER'S MANUAL***



This manual contains important information concerning the installation and operation of the gun washers listed above.  
**Read manual thoroughly and keep for future reference**

**INSTRUCTIONS**



# Table of Contents

Warnings	3-4
Model Information	5
Installation	5
Operation	6-7
Preventive Maintenance	7
Troubleshooting	8
Drawings with part lists:	9-13

## Warning Symbol



This symbol alerts you to the possibility of serious injury or death if you do not follow the instructions.

## Caution Symbol



This symbol alerts you to the possibility of damage to or destruction of equipment if you do not follow the instructions.



# WARNING



## EQUIPMENT MISUSE HAZARD

Equipment misuse can cause the equipment to rupture, malfunction, or start unexpectedly and result in serious injury.

- This equipment is for professional use only.
- Read all instruction manuals, tags, and labels before operating the equipment.
- Use the equipment only for its intended use.
- Do not alter or modify this equipment.
- Do not exceed the maximum working pressure of the lowest rated system component.
- Do not operate the gun washer at a pressure above the maximum working pressure rating of the gun(s) being cleaned.
- Route the hoses away from traffic areas, sharp edges, moving parts, and hot surfaces.
- Do not use the hoses to pull the equipment.
- Do not move pressurized equipment.
- Use fluids or solvents that are compatible with the equipment wetted parts. Read the fluid and solvent manufacturer's warnings.
- Comply with all applicable local, state and national fire, electrical and other safety regulation.



## PRESSURIZED EQUIPMENT HAZARD

Spray from hose leaks, ruptured components, or from operating the gun washer with an open lid can splash fluid in the eyes or on the skin and cause serious injury.

- A safety device has been installed to shut off the pump when the gun washer lid is opened. Do not tamper with or alter this device.
- Open the gun washer lid slowly.
- Do not prop the gun washer lid open with an object or by any other means.
- Do not stop or deflect fluid leaks with your hand, body, glove, or rag.
- Tighten all fluid connections before operating the equipment.
- Replace worn, damaged, or loose parts immediately.



# WARNING



## FIRE AND EXPLOSION HAZARD



Improper grounding, poor air ventilation, open flames, or sparks can cause a hazardous condition and result in fire or explosion and serious injury.

- Ground the equipment. See Installation for grounding procedure.
- Provide fresh air ventilation to avoid the build up of flammable fumes from the cleaning solution.
- Extinguish all open flames or pilot lights in the gun washer area.
- Disconnect all electrical equipment in the gun washer area.
- Keep the gun washer area free of debris, including cleaning solutions, rags, and gasoline.
- Do not turn on any light switch in the gun washer area while operating or if fumes are present.
- Do not smoke in the gun washer area.
- Do not operate a gasoline engine in the gun washer area.
- Follow the gun manufacturer's solvent and other cleaning recommendations.
- Use solvent with the highest possible flash point.
- If there is any static sparking while using the equipment, **stop operation immediately**. Identify and correct the problem.
- Drain the cleaning solution into a proper storage container when gun washer(s) is not in use.

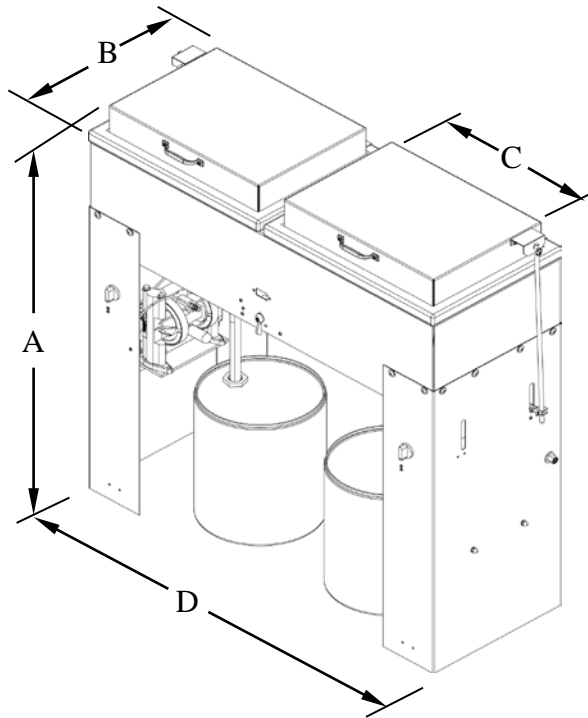


## TOXIC FLUID HAZARD

Hazardous fluids or toxic fumes can cause serious injury or death if splashed in eyes or on the skin, swallowed, or inhaled.

- Know the specific hazards of the fluid you are using. Read the fluid manufacturer's warnings.
- Store hazardous fluid in an approved container. Dispose of hazardous fluid according to all local, state and national guidelines.
- Wear the appropriate protective clothing, gloves, eyewear and respirator.
- Pipe and dispose of the exhaust air safely. If diaphragm fails, the fluid may be exhausted along with the air.

# Model Information



**NOTE:** Dimensions listed are overall measurements.

Model	Description	Weight lbs/(kg)	Dimensions in./(mm)			
			A	B	C	D
G375	Two independently operating plastic tanks clean up to 4 guns and 4 cups simultaneously with two independent diaphragm pumps.	110 (49.9)	42.75 (1086)	15.5 (394)	16.88 (429)	41.5 (1054)

## Installation

### Installing the Gun Washer

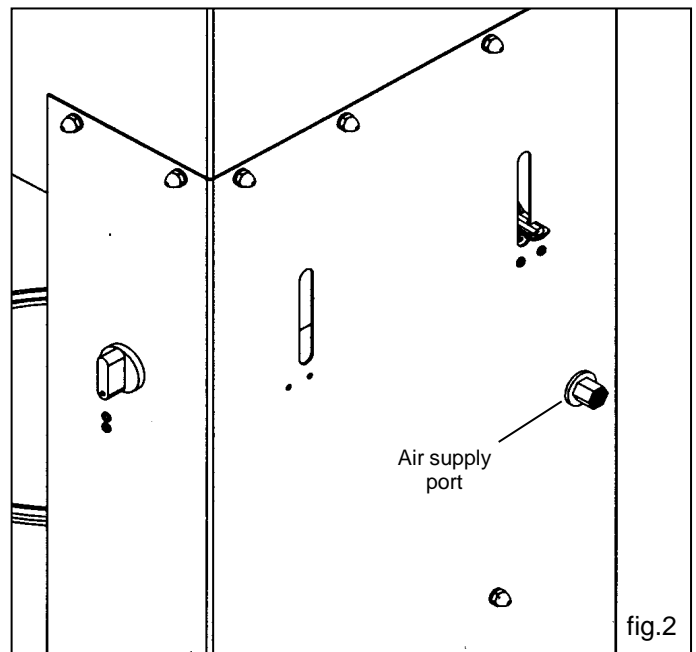
- 1) Place gun washer on a level surface in a properly ventilated paint mixing room or paint booth.

### Grounding the Gun Washer

- 1) Connect the ground wire on the gun washer's pump to a true earth ground.
- 2) Ground all equipment used or located in the gun washer area.

### Connecting the Air Line

- 1) Install a 1/4 in. npt male coupler, that is compatible with the quick disconnect of your air supply line, into the air supply port of the filter/regulator located on the right leg (see fig.2).
- 2) Connect air line with at least 75 psi to the coupler. Filter/regulator is preset. Do not adjust.



# Operation

## Connecting the Solvent to the Washer

- 1) Insert the drain pipe and siphon tube into a fresh 5 gallon solvent can and secure the plug in the opening.
- 2) The can must contain at least 2.5 gallons of solvent to pump properly. Use a high quality solvent.

## Preparing the Equipment to be washed

- 1) Remove paint cup or paint line and the air line from the paint gun.
- 2) Drain excess paint from cup and gun.
- 3) Remove all gauges and regulators from painting equipment.
- 4) Lock the gun trigger in the open position by placing the trigger lock around the gun handle and trigger (see fig.3).

## Placing Equipment in the Gun Washer

To clean guns not mentioned here, use the long or short stem supports as needed (see pg.11). For questions or adapter kits contact your paint gun washer distributor.

### Siphon Feed Guns

Place the gun siphon tube on the short stem support.

### Gravity Feed Guns (HVLV)

Place the long stem support over the short stem support. Place paint inlet of gun on long stem support. Place the air cap assembly over the air inlet of the gun to prevent solvent from entering the passage.

### Pressure Feed Guns

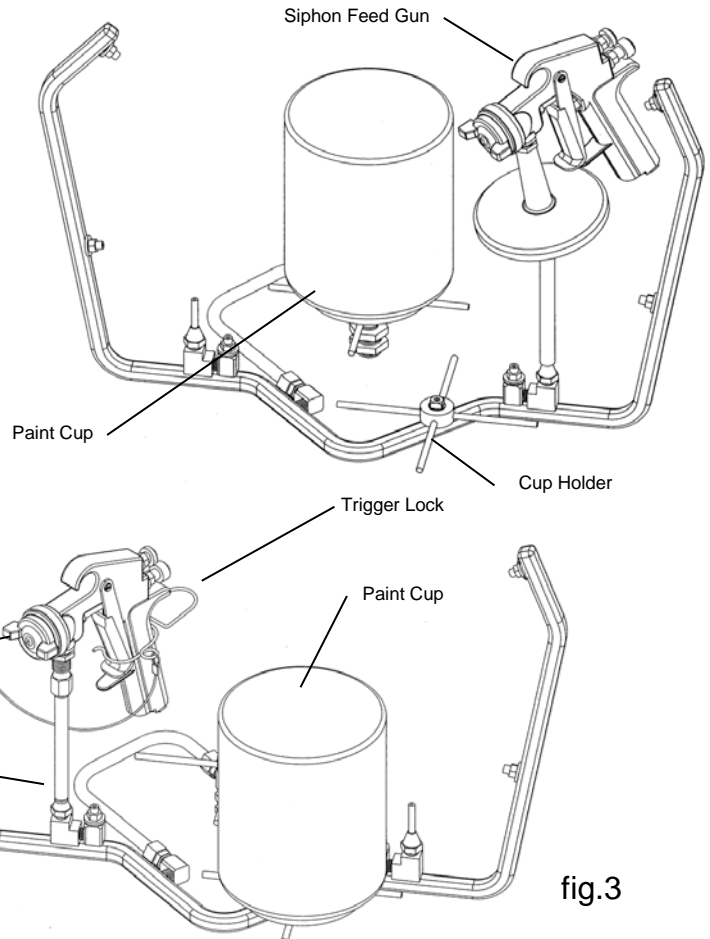
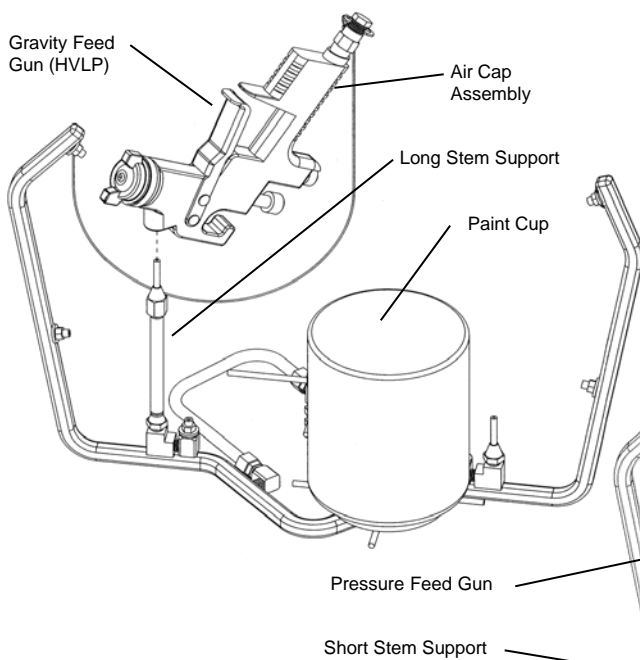
Place long stem support over the short stem support. Place paint inlet of gun on long stem support.

### Pots and Cups

Place a pot or a cup on the cup holder.

## **CAUTION**

All pressure gauges must be removed before placing the equipment in the gun washer to avoid damaging the gauges.



*Note:*  
Only one gun & one cup shown for clarity.  
G375 will clean two guns & two cups in each tank simultaneously.

fig.3

# Operation

## Operating the Gun Washer

- 1) Make sure wire trigger locks and other accessories are inside the gun washer tank.
- 2) Place equipment in the tank according to the diagrams shown in fig.3.
- 3) Close the gun washer lid.
- 4) Turn the timer knob clockwise 90 degrees to start the gun washer. The gun washer will run for 90 seconds. Turning the timer knob less than 90 degrees will reduce the timing cycle. Paint equipment will clean in 60 to 90 seconds.
- 5) If the lid is opened prior to the end of the timing cycle, the safety air cutoff switch will stop the gun washer. The gun washer will start again when the lid is closed if time remains on the timer.  
*Note: Open the lid slowly to minimize vapor escape.*
- 6) Remove the equipment from the gun washer and wipe off any remaining solvent.

## Gun Washer Information

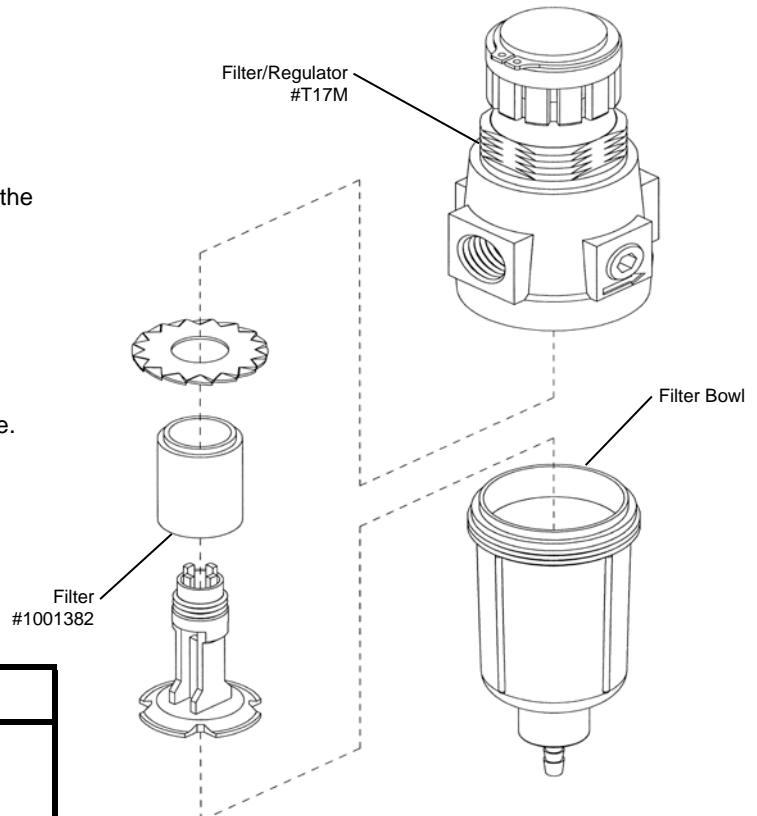
- 1) The two tanks of the gun washer can be operated independently.
- 2) The timer on the right leg operates the pump for the right tank, while the timer on the left leg operates the pump for the left tank.

## Operating the Manual Brush

- 1) In the left tank of the unit, make sure the brush is not pointing out of the tank.
- 2) Turn the control valve to 'Manual Brush'.
- 3) To increase the flow through the brush, turn the knob of the flow control valve counterclockwise. To decrease the flow through the brush, turn the knob of the flow control valve clockwise.
- 4) When finished cleaning equipment, return control valve to 'Auto Clean'

# Preventive Maintenance

- 1) Drain excess paint from cup or pot before placing in gun washer.
- 2) Drain paint sludge from 5 gallon solvent can weekly. Do this after a weekend so the sludge has settled.
  - Access the solvent can by removing the drain hose from the can, then remove the nylon plug from the can.
  - Pour the solvent into a second container and drain the sludge into a disposal container. Refill can from the second container and add solvent to reach the 2.5 gallon minimum, or the can half-full.
  - Clean siphon tube with cloth and brush to remove residue.
- 3) Remove the filter bowl and check the filter inside the regulator for excess buildup approx. every 6 months.
- 4) Change solvent completely when objects being cleaned become tacky to the touch.
- 5) Clean inside of tub and internal manifold.



## **CAUTION**

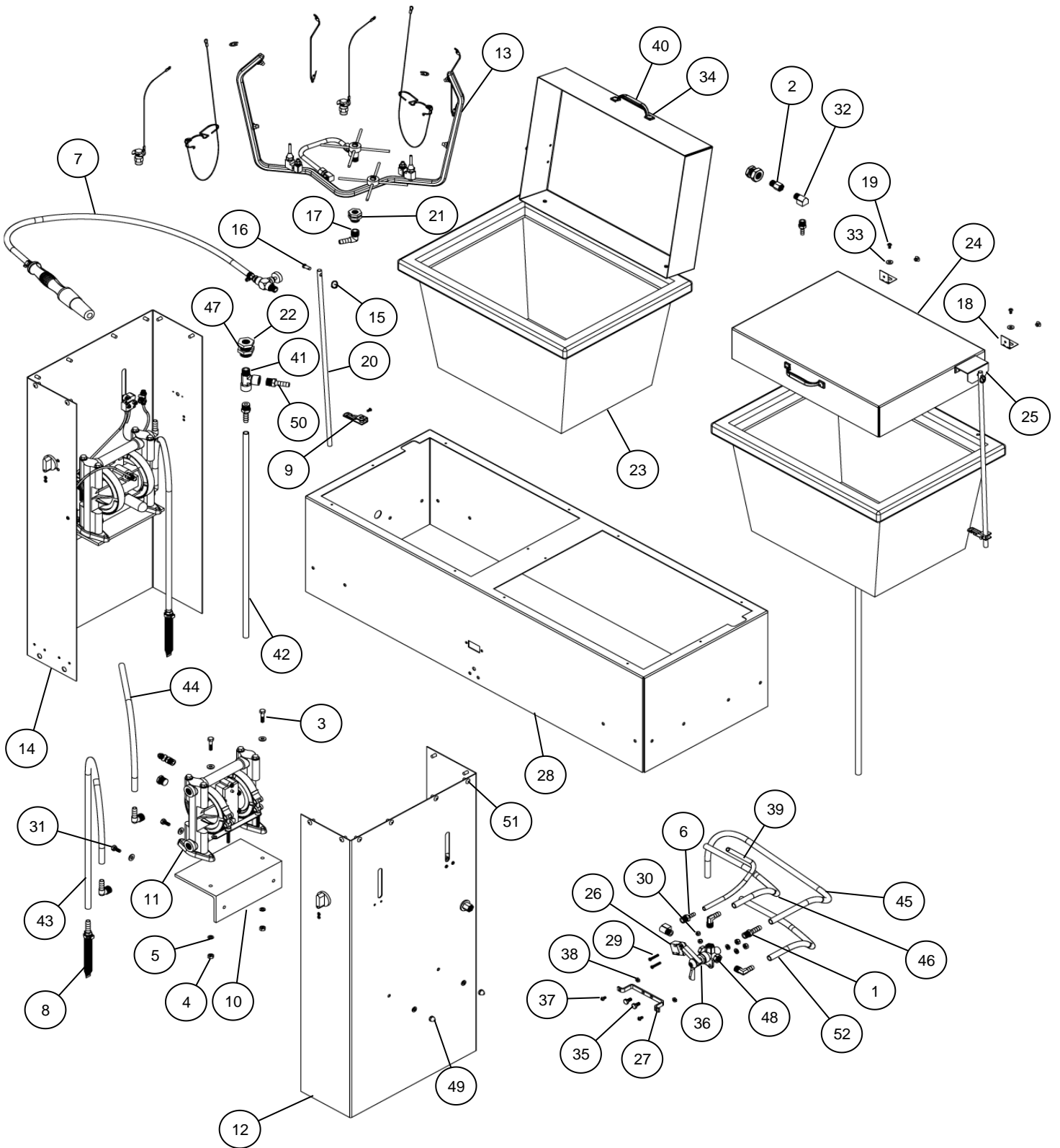
Do not change the setting of the filter/regulator. This could damage the filter/regulator or pump.

# Troubleshooting

Problem	Possible Solution
Gun washer will not turn on.	<ol style="list-style-type: none"> <li>1 Make sure the air line is properly connected with at least 75 psi. Air pressure is regulated at 75 psi.</li> <li>2 Make sure lid is fully closed. Make sure the lid rod actuator is making full contact with the limit valve on the right rear leg.</li> <li>3 Check all air connections to ensure that there are no leaks.</li> <li>4 Make sure timer cam is engaging the limit valve on the right front leg.</li> <li>5 Make sure timer is on and functioning correctly.</li> </ol>
Gun washer turns on but pumps slowly or not at all.	<ol style="list-style-type: none"> <li>1 Make sure intake filter is not clogged (Clean or replace).</li> <li>2 Make sure the air line is properly connected with at least 75 psi. Air pressure is regulated at 75 psi.</li> <li>3 Check all air connections to ensure that there are no leaks.</li> <li>4 Make sure there is 5 gallons of clean solution in the cleaning solution container. The cleaning solution should be an inch above the intake filter.</li> <li>5 Make sure lid is fully closed. Make sure the lid rod actuator is making full contact with the limit valve on the right rear leg.</li> <li>6 Make sure manifold nozzles and stem supports are not clogged.</li> </ol>
Gun washer will not shut off	<ol style="list-style-type: none"> <li>1 Make sure timer cam is moving. If it's not, slightly loosen the nuts holding the limit valves on the both the right and left leg of the stand. Reposition valve and tighten nuts.</li> <li>2 Make sure limit valves located on the right and left legs of the stand are not stuck in closed position.</li> </ol>



# G375 Parts Layout



# G375 Parts Layout

	Part #	Description	Quantity	
1	57	Hose Barb 3/8 x 1/4 NPT	1	EA
2	67	Adaptor 1/4 NPT - Brass	1	EA
3	83	Bolt Hex 1/4-20 x 1	4	EA
4	84	Nut Hex 1/4-20	6	EA
5	85	Lock Washer 1/4	10	EA
6	990	Hose Barb 1/4 x 1/4 NPT	2	EA
7	10737	Brush Assembly	1	EA
8	11243	Filter Assembly	2	EA
9	11957	Actuator	2	EA
10	13122	Pump Bracket	2	EA
11	13123	Pump Assembly	2	EA
12	13125	Right Leg Assembly	1	EA
13	13129	Manifold Assembly	2	EA
14	13141	Left Leg Assembly	1	EA
15	1000252	Cotter Ring	2	EA
16	1000652	Clevis Pin	2	EA
17	1000967	Hose Barb Elbow	3	EA
18	39C	Hinge	4	EA
19	1002546	Screw 10-32 x 1/2	4	EA
20	1002572	Actuator Rod	2	EA
21	1002643	Bulkhead 3/4 - Brass	1	EA
22	1002644	Bulkhead 1 - Brass	2	EA
23	1-MINI-BLUE	Mini Blue Tub	2	EA
24	12132	Lid	2	EA
25	12131	Lid Bracket	2	EA
26	M1C	Limit Valve - Roller	1	EA
27	11217	Valve Bracket	1	EA
28	1002969	Frame	1	EA
29	002-171	Screw 8-32 x 1	2	EA
30	002-172	Nut Nylock 8-32	2	EA
31	1000116	Bolt Hex 1/4-20 x 5/8 Gr. 5 - Zinc	4	EA
32	002-131	Elbow 1/4 NPT - Brass	2	EA
33	002-161	Washer Flat #10 - Zinc	4	EA
34	14C	Rivet 3/16 x 1/2	14	EA
35	83K	Bolt Hex 1/4-20 x 3/4 Gr. 5 - Zinc	2	EA
36	100907	Actuator	1	EA
37	002-173	Screw 10-32 x 5/8	2	EA
38	002-160	Nut Hex 10-32	2	EA
39	M7APE	Hose 3/8 - Black PE	14	IN.
40	10A	Handle	2	EA
41	C12E	Tee Street 3/8 NPT Brass	1	EA
42	64PE	Hose 1/2 - Black PE	23	IN.
43	64PE	Hose 1/2 - Black PE	30	IN.
44	64PE	Hose 1/2 - Black PE	16	IN.
45	64PE	Hose 1/2 - Black PE	30	IN.
46	64PE	Hose 1/2 - Black PE	19	IN.
47	85B	Washer 1 - Nylon	4	EA
48	C26	3 Way Valve	1	EA
49	008-244	Acorn Nut 1/4-20	4	EA
50	1002654	Hose Barb 3/8 x 3/8 NPT Brass	3	EA
51	1003597	Rivet 1/4 x 1/2	16	EA
52	64PE	Hose 1/2 - Black PE	25	IN.

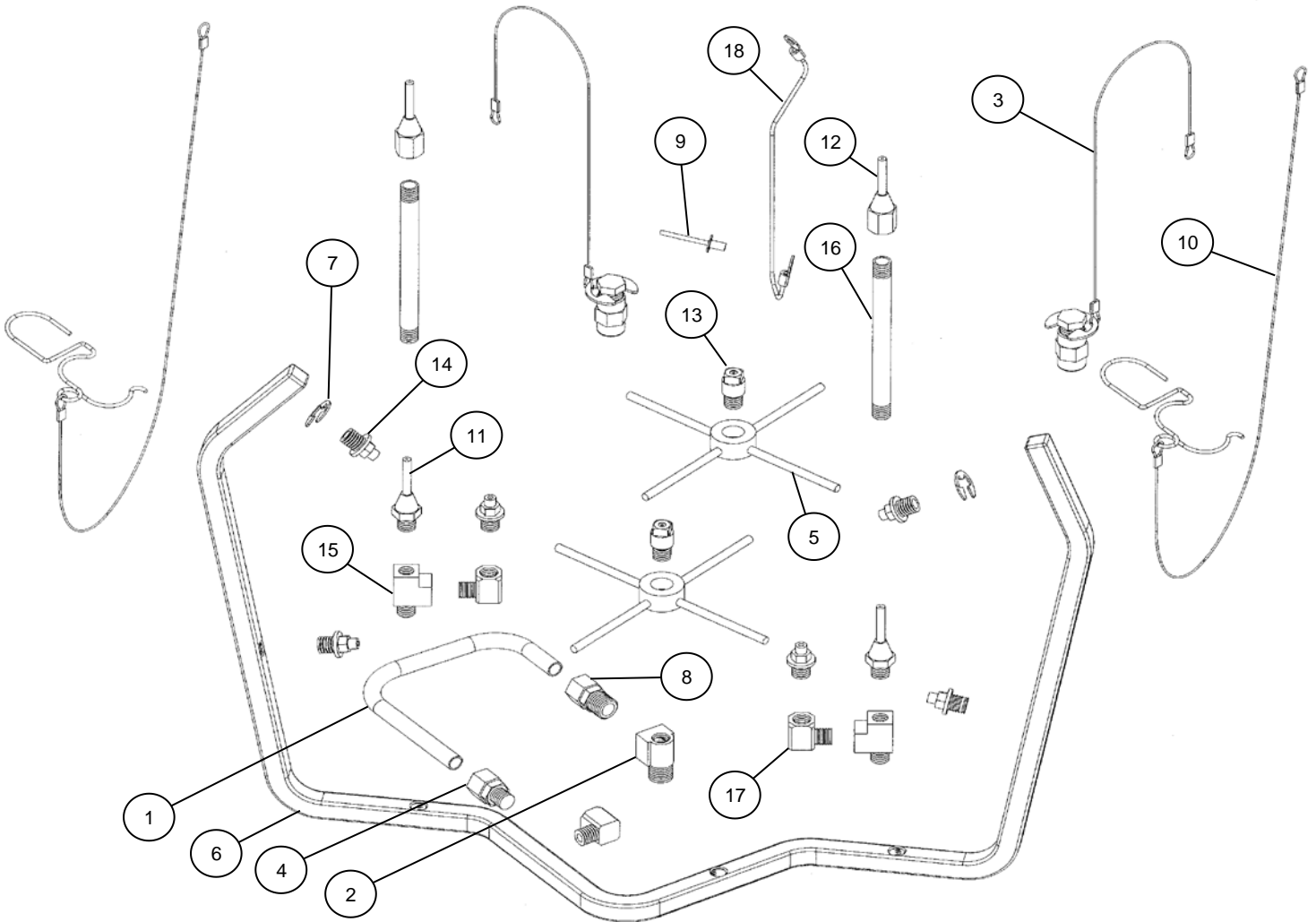
See pg. 12  
See pg. 12  
See pg. 11  
See pg. 12

**Note:** For parts shown but not identified refer to assembly layouts on pages 11-13

**Note:** Some stickers not shown - See page 14 for additional stickers and proper placement



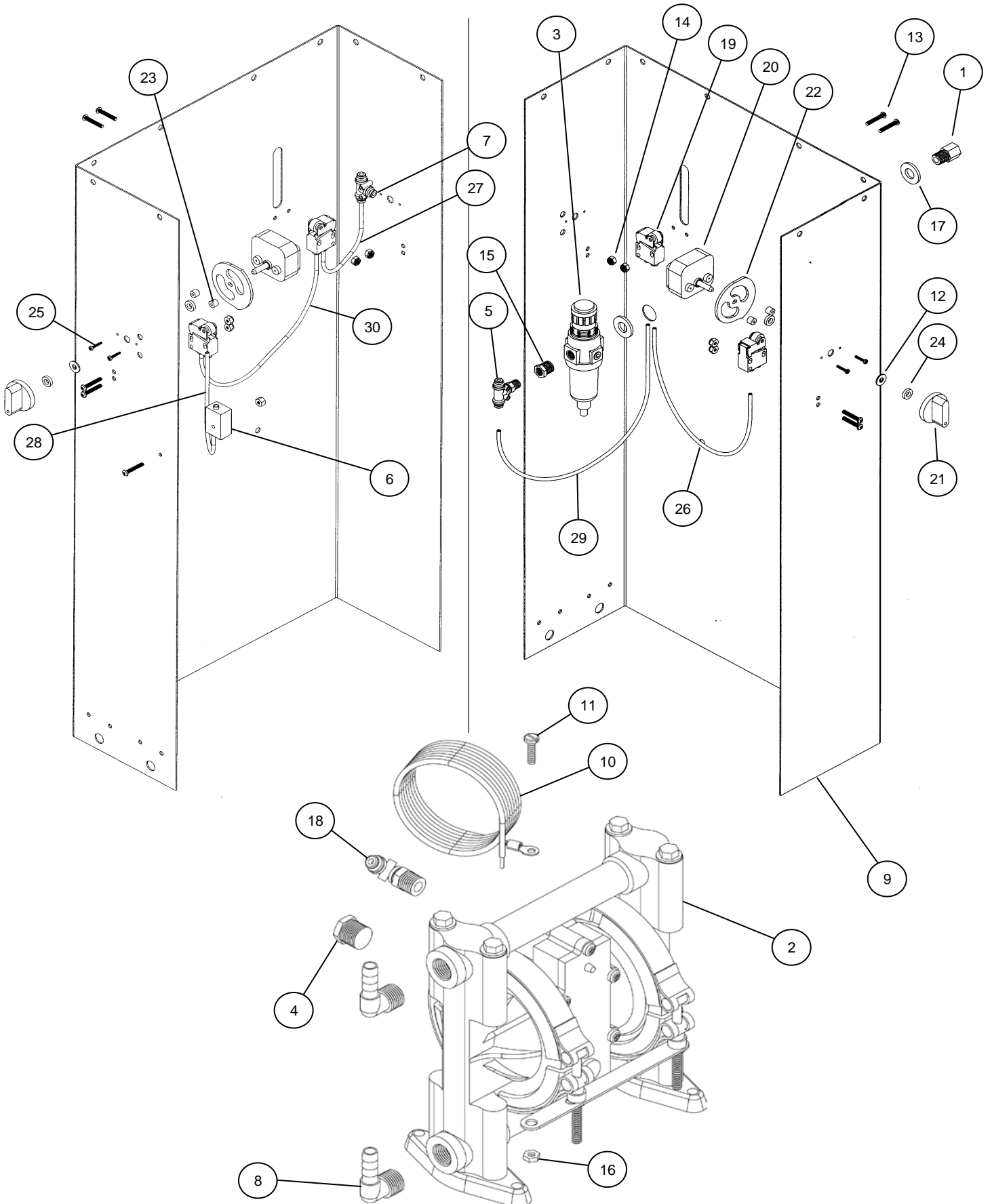
# G375 Manifold Layout



Part #	Description	Quantity
1	10283 Bent Manifold Tube - Stainless	1 EA
2	10284 Tee 1/4 NPT - Brass	1 EA
3	12509 Air Cap Assembly - Brass and Stainless	2 EA
4	1000115 Compression Fitting 1/8 - Brass	1 EA
5	1002422 Cup Holder - Stainless	2 EA
6	1002529 Manifold - Stainless	1 EA
7	1002651 E-ring - Stainless	2 EA
8	002-143 Compression Fitting 1/4 - Brass	1 EA
9	002-192 Rivet	1 EA
10	22BA Trigger Lock Assembly	2 EA
11	53A Stem Support Male	2 EA
12	53B Stem Support Female	2 EA
13	54 Full Jet Nozzle - Brass	2 EA
14	54P1 Full Jet Nozzle - Kynar	6 EA
15	C12D Tee 1/8 NPT - Brass	2 EA
16	C9A Nipple 4-1/2" - Brass	2 EA
17	M6 Elbow 1/8 NPT - Brass	3 EA
18	002-120A-12 Grounding Wire	1 EA

**Note:** Parts are shown for reference purposes only and are not necessarily part of a Herkules assembly.

# G375 Pump and Legs Layout



# G375 Pump and Legs Layout

	Part #	Description	Quantity
1	67	Adaptor 1/4 NPT	1 EA
2	338	Pump	1 EA
3	T17M	Filter / Regulator	1 EA
4	1001441	Muffler 3/8 NPT Zinc	1 EA
5	1000818	Tee PTC 5/32 x 1/8 NPT	1 EA
6	1000851	OR Valve	1 EA
7	1000852	Tee PTC 5/32	1 EA
8	1002650	Hose Barb Elbow	2 EA
9	1002970	Leg	2 EA
10	002-120A-72	Ground Wire	1 EA
11	005-131	Screw 10-24 x 1/2 - Stainless	1 EA
12	002-161	Flat Washer #10	2 EA
13	002-171	Screw 8-32 x 1	9 EA
14	002-172	Nylock Nut 8-32	9 EA
15	005-134	Reducing Bushing	1 EA
16	005-132	Nut Hex 10-24 - Stainless	1 EA
17	85D	Flat Washer 1/2	2 EA
18	T25	5/32 Hose Fitting 90° Swivel	2 EA
19	M1C	Limit Valve - Roller	4 EA
20	M230-001A	Timer	2 EA
21	M230-002	Timer Knob	2 EA
22	M230-003	Timer Cam	2 EA
23	M230-004	Spacer 1/4	4 EA
24	M230-005	Spacer 1/8	4 EA
25	M230-006	Screw #4 x 5/8	4 EA
26	M5	Tube 5/32 Blue	21 IN.
27	M5	Tube 5/32 Blue	8 IN.
28	M5	Tube 5/32 Blue	8 IN.
29	M5-BLACK	Tube 5/32 Black	12 IN.
30	M5-BLACK	Tube 5/32 Black	15 IN.

**Note:** Parts are shown for reference purposes only and are not necessarily part of a Herkules assembly.

# Lid and Front Panel Stickers

Use the following sticker combinations on the lid and front panel for solvent and Waterborne cleaning. If the stickers are shipped loose, it is the responsibility of the end user to properly place the stickers according to the layouts below.

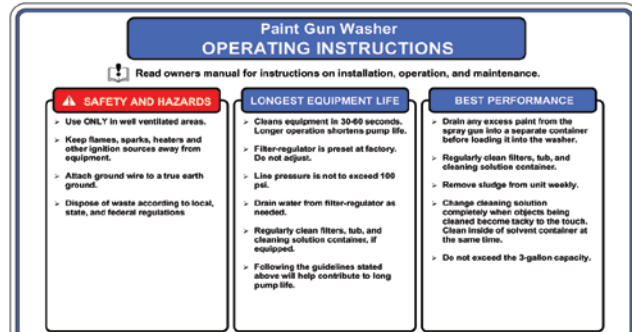
## For Waterborne

Front Panel sticker



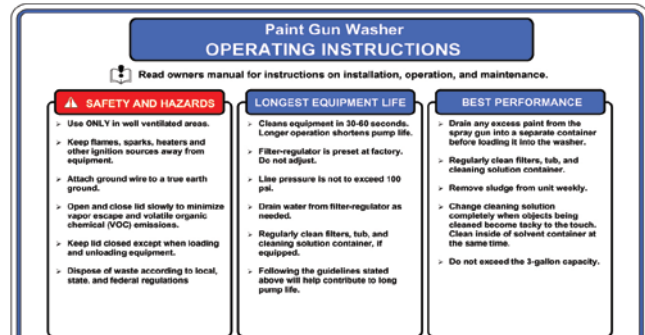
Pt#1003048

Lid Sticker



Pt#1003054

-OR-



Pt#1003055

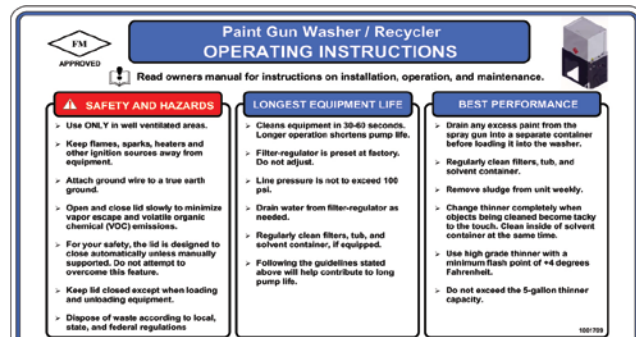
## For Solvent cleaning

Front Panel sticker



Pt#1001706

Lid Sticker



Learn more about paint spray guns and accessories we have.