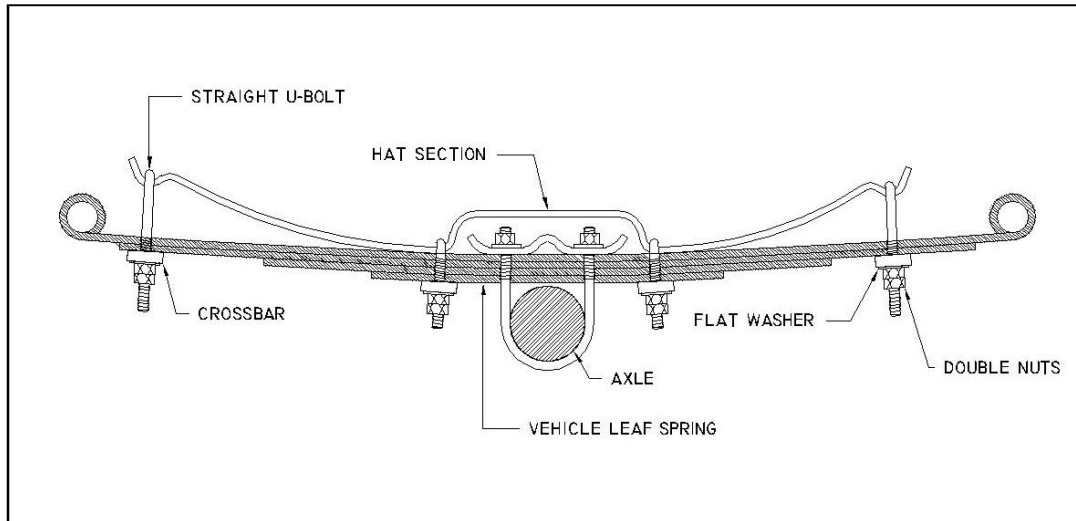


Hellwig PRODUCTS

INSTALLATION INSTRUCTIONS

Thank you for purchasing a quality Hellwig Product.

PLEASE READ THIS INSTRUCTION SHEET COMPLETELY BEFORE STARTING YOUR INSTALLATION PROCEDURES.



TORQUE TABLE

BOLT SIZE: 3/8" = 20-30 ft. lbs. - 7/16" = 35-45 ft. lbs. - 1/2" = 50-70 ft. lbs. - 9/16" = 70-90 ft. lbs

SAFETY: PARK YOUR VEHICLE ON A FLAT LEVEL SURFACE, SET THE PARKING AND CHOCK THE FRONT TIRES.

NOTE: THIS KIT INCLUDES LOCKNUTS WHICH REQUIRE TIGHTENING WITH A WRENCH AFTER BEING STARTED BY HAND.

NOTE: IF YOUR VEHICLE IS EQUIPPED WITH A BRAKE FLUID PROPORTIONING VALVE ON THE REAR AXLE READ INSERT (R-362)

IMPORTANT NOTE: IF YOUR VEHICLE IS EQUIPPED WITH A FACTORY CONTACT OVER LOAD IT MUST BE REMOVED BEFORE INSTALLING THE NEW HELPER SPRINGS.

IMPORTANT NOTE: HELLWIG HELPER SPRINGS ARE DESIGNED TO INCREASE THE "LEVEL LOAD" CARRYING CAPACITY OF YOUR VEHICLE. NEVER LOAD THE VEHICLE THAT THIS UNIT IS INSTALLED ON BEYOND THE MANUFACTURER'S MAXIMUM GROSS VEHICLE WEIGHT RATING.

1. Lay out the spring leaves into two (2) sets. The long end of the spring must be installed toward the rear of the vehicle and the short end toward the front.
2. Place the spring on top of the main spring with the long end toward the rear of the vehicle.
3. Place the U-bolts with the straight legs in the cups at the ends of the spring with the silencer bushing between the main spring and the helper spring as shown in the diagram. Loosely install the crossbars using the hardware provided.
4. Adjust the crossbars on the end of the springs so that the adjacent leaf tip will not make contact with the crossbar when the spring is deflected. It may be necessary to move the spring stack fore or aft for best alignment.
5. Install 1/2" U-bolts next to the hat section as shown in the diagram. The U-bolt should be fastened as close to the hat section as possible. If you are working on 2-1/2" wide springs position the outboard U-bolt leg against the outboard edge of the main spring to maximize brake hose, caliper, and backing plate clearance. The U-bolts may also be installed with the legs pointing up and crossbars on top of spring to provide additional clearance. Install the wide crossbar with the washers and nuts supplied. Torque the nuts to 50-60 ft-lb and double nut.

Hellwig PRODUCTS

7. Adjust the U-bolts at the spring end to desired preload. The minimum tension adjustment is having enough tension on the end U-bolts so that they do not loosen or rattle and move when the vehicle is driven over rough or bumpy surfaces. Maximum adjustment is when the leaf cups are 1/4" from the main spring.
8. When adjustment is complete, double nut to lock in adjustment.
9. Lower vehicle to the ground and check your installation for clearance on all undercarriage components; wires, fuel, brake, and air conditioning lines. Test drive the vehicle and recheck your installation, adjust as needed. Recheck on a monthly basis thereafter.

IMPORTANT NOTE: CHECK YOUR INSTALLATION. ARE ALL NUTS AND BOLTS SECURELY TIGHTENED AND DOUBLE NUTTED WHERE PROVIDED? BOUNCE THE VEHICLE CHECKING FOR CLEARANCE ON ALL UNDERCARRIAGE COMPONENTS, MUFFLERS, GAS FILLER PIPES, BRAKE LINES, EMERGENCY BRAKE CABLE, AIR CONDITIONING LINES, RUBBER BOTTOMING PADS, ETC.

IMPORTANT NOTES, WARNINGS AND TIPS

Before attempting the installation of any Hellwig Accessory Spring, be sure and identify the vehicle to which the accessory spring will be installed as either being or not being equipped with height sensing brake fluid proportioning valve. If a vehicle is equipped with the brake fluid proportioning valve on the rear axle, it is recommended that any Hellwig Full Time Accessory Spring **NOT** be installed. Only the Progressive Rate Accessory Springs are to be installed on these vehicles. Some of the vehicles manufacturers (FORD, GM, DODGE) have recommended an adjustment or modification of the brake system. If the vehicles height or weight requirements have been changed due to the suspension modifications or unusual load situations, contact your local dealer for correct adjustment after installation.