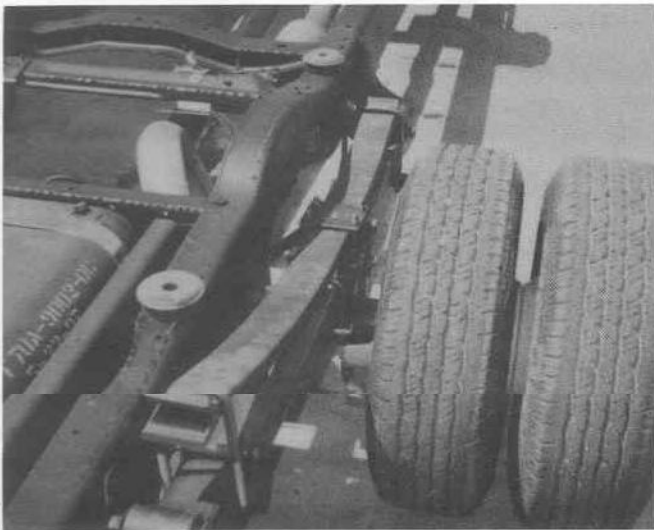
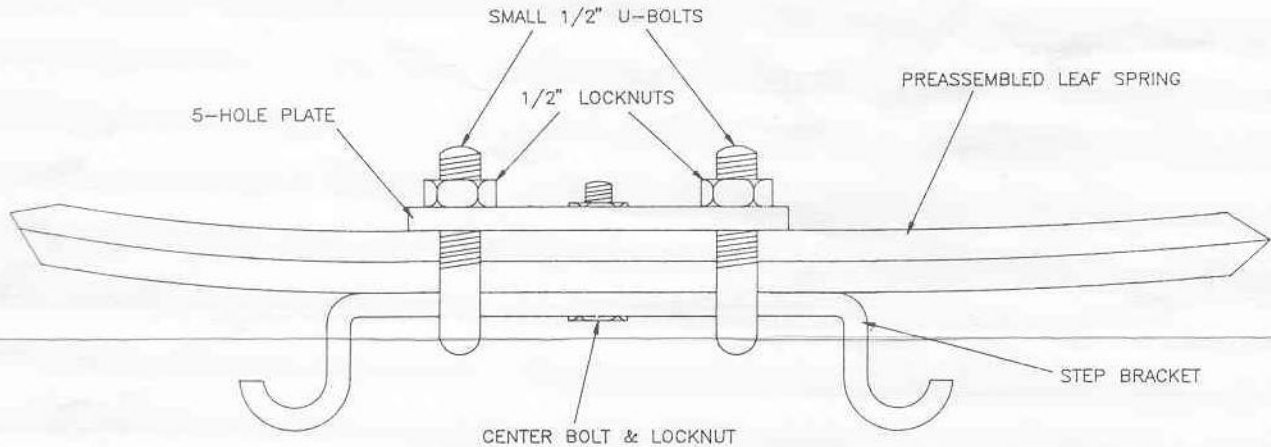


Hellwig PRODUCTS

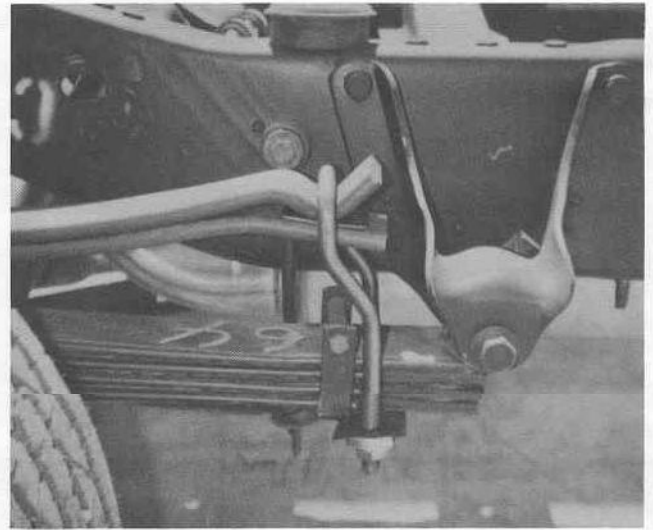
INSTALLATION INSTRUCTIONS

Thank you for purchasing a quality Hellwig Product.

PLEASE READ THIS INSTRUCTION SHEET COMPLETELY BEFORE STARTING YOUR INSTALLATION PROCEDURES.



VIEW FROM REAR



FRONT U-BOLT

NOTE: THIS UNIT HAS BEEN PARTIALLY ASSEMBLED AT THE FACTORY TO ASSURE PROPER LEAF MATCHING AND PRELOAD. THIS UNIT MOUNTS ABOVE THE FACTORY LEAF SPRINGS WITH THE SHORT END TOWARD THE FRONT OF THE VEHICLE.

1. Place the assembly onto the top of the step bracket so the center bolt is in the hole on the step bracket. Place the 5-hole plate above the leaf spring and position the U-bolts under the step bracket to go through the holes in the 5-hole plates. Attach with the locknuts provided. Tighten completely. Place the entire assembly onto the vehicle springs.
2. Place the shorter of the U-bolts provided into the cup areas on the center step bracket so the threads hang down below the factory springs. Place the smaller of the flat crossbars onto the U-bolts and with the flat washers and nuts provided, snug the crossbars to the factory springs.
3. Place the longer adjustment U-bolts into the cups at the ends of the leaf springs. The U-bolts with the compound Z-bend go on the front of the helper spring for clearance around the sway bar end link. The Z-bend will place the thread forward of the helper spring so the crossbar will sit just forward of the factory spring keepers.
4. Place the plastic shim pads above the larger crossbars and onto the end adjustment U-bolts. Attach with the flat washers and nuts provided.
5. Adjust the spring front to rear and side to side as much as possible to align the helper spring over the factory spring. Tighten the center step bracket nuts completely and double nut.
6. Tighten the adjustment U-bolts to get the desired amount of tension. After the proper adjustment has been made, double nut the U-bolts to secure the adjustment.
7. Be sure to check for proper clearances on any of the vehicle components, ie . . . fuel filler hoses, body panels, lines, hoses, brakes, exhaust.