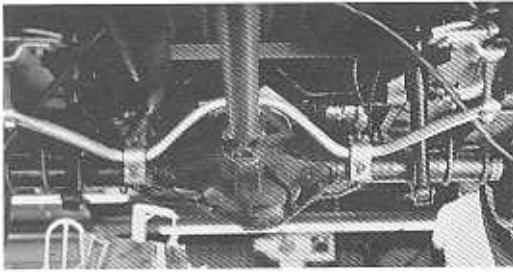
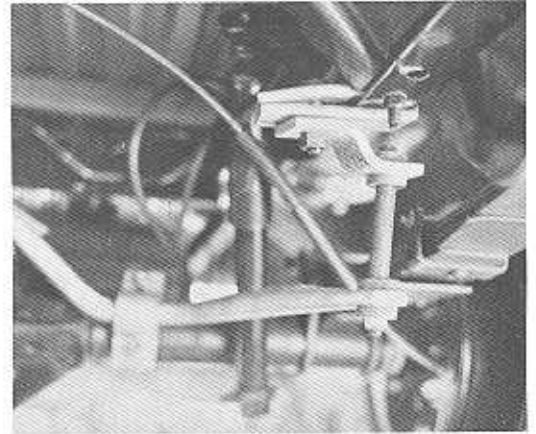




HELLWIG INSTALLATION INSTRUCTIONS

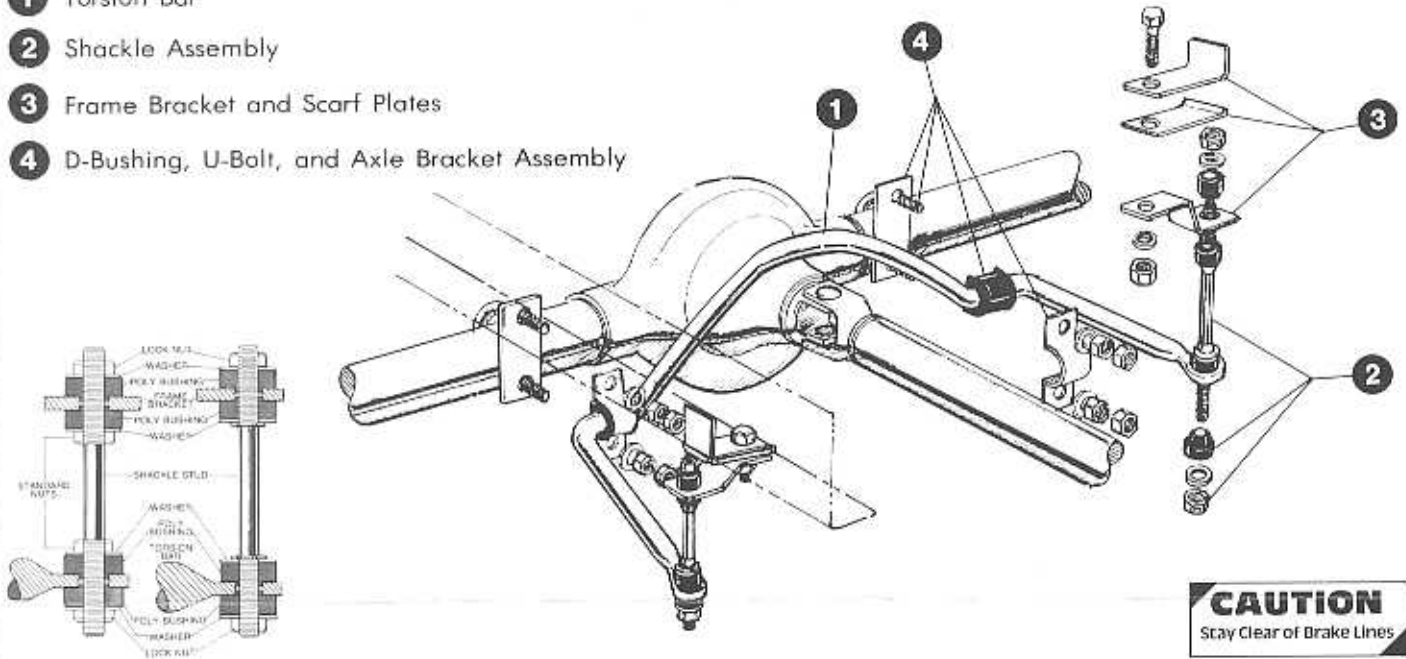


1



2

- 1 Torsion Bar
- 2 Shackle Assembly
- 3 Frame Bracket and Scarf Plates
- 4 D-Bushing, U-Bolt, and Axle Bracket Assembly



CAUTION
Stay Clear of Brake Lines

1. Install torsion bar over top of rear axle housing, as in Photo No. 1.
2. Install D-bushings, Photo No. 1, on torsion bar. Install U-bolts around axle making sure that the U-bolt is under brake line to prevent crushing. Leave nuts loose at this point.
3. Assemble frame mounting of bracket assembly, See Photo No. 2, on frame of vehicle. **Make sure all wires and lines are clear.**
4. Assemble shackle kit, as in Illustration.
5. When all component parts are installed, rotate axle brackets to align frame mounting brackets so that the shackle is in a near to straight up and down position. Tighten all nuts securely.
6. Bounce the vehicle and check for clearance on all undercarriage components. Be sure all nuts and bolts are securely fastened and double nuts used where necessary or provided.
7. Recheck your installation, look for clearance on gas lines, wiring, exhaust pipes, brake lines, etc. After one weeks driving check your installation and every 30 (thirty) days there after.