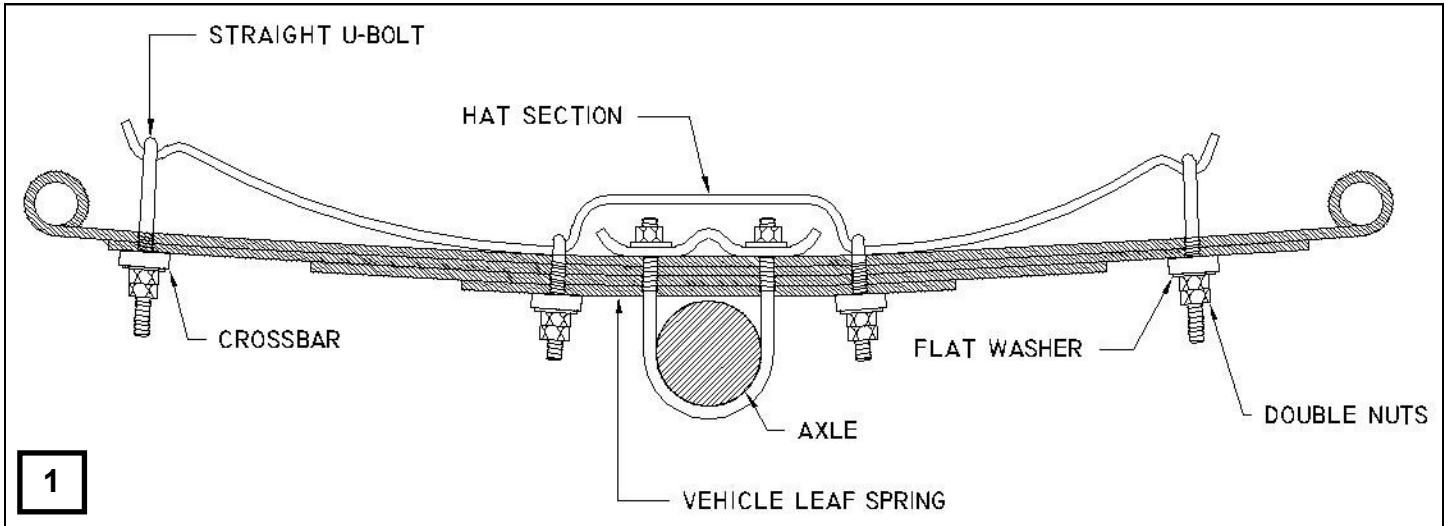


INSTALLATION INSTRUCTIONS

Ford Raptor Helper Springs

Thank you for purchasing a quality Hellwig Product.

PLEASE READ THIS INSTRUCTION SHEET COMPLETELY BEFORE STARTING YOUR INSTALLATION.



SAFETY: BEFORE STARTING YOUR INSTALLATION, PARK YOUR VEHICLE ON A FLAT LEVEL SURFACE, SET THE PARKING BRAKE, AND CHOCK THE FRONT TIRES.

IMPORTANT NOTES:

1. YOUR SPRING MAY HAVE A SMALL HOLE IN THE END. THIS IS FOR OUR MANUFACTURING PROCESS AND WILL NOT BE USED.
2. HELLWIG HELPER SPRINGS ARE DESIGNED TO INCREASE THE "LEVEL LOAD" CARRYING CAPACITY OF YOUR VEHICLE. NEVER LOAD THE VEHICLE THAT THIS UNIT IS INSTALLED ON BEYOND THE MANUFACTURER'S MAXIMUM GROSS VEHICLE WEIGHT RATING.
3. LIFTING THE VEHICLE BY THE FRAME MAY AID IN INSTALLATION. BE SURE TO FULLY SUPPORT THE VEHICLE WITH JACK STANDS BEFORE CRAWLING UNDERNEATH.

COMPONENTS:

- (2) Main Leaves
- (8) 1/2" U-bolts
- (2) Crossbar Bags
- (2) 9/16" Hardware Bags

Hellwig

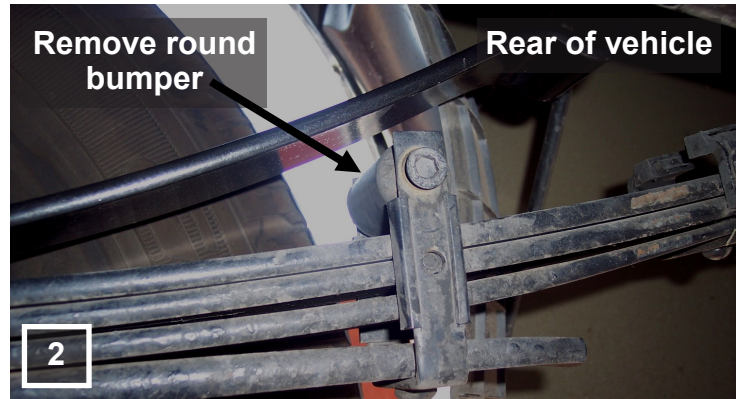
SUSPENSION PRODUCTS

TOOLS:

- 3/4" Deep socket & ratchet
- 3/4" Wrench
- Torque wrench
- 5mm Allen wrench

STEPS:

1. Remove the round rubber bumper on top of the factory leaves behind the rear axle as shown in picture 2.
2. Place the spring stack on top of the main spring with the long end toward the rear of the vehicle. Slide fore/aft as necessary for best fitment.
3. Place the longer U-bolts in the cups at the ends of the springs. Loosely install the x-bars with provided hardware. Leave loose at this time.
4. Place the shorter U-bolts on either side of the "Hat Section" of the spring. The U-bolts should be fastened as close to the hat section as possible. Install the crossbars using the provided hardware and torque to 60 ft.lbs. and double nut
5. Tighten the front and rear U-bolts until the bottom of the leaf cup is 1.25" away from the top of the factory leaf pack shown.
6. Check your installation for clearance on all undercarriage components: wires, fuel, brake, and air conditioning lines. Test drive the vehicle and recheck your installation, adjust as needed. Recheck periodically thereafter.



ATTENTION INSTALLER: BE SURE THAT THE CUSTOMER RECEIVES THIS INSTRUCTION SHEET, ALL IMPORTANT NOTE CARDS AND THE WARRANTY FORM.

Maintenance and Inspection:

Your Hellwig Suspension Product is built to last. However, as with all vehicle systems, it requires routine inspection. Inspect your Hellwig installation looking for secure hardware and tight fitting brackets and bushings. If you do not perform this inspection, have your professional mechanic inspect as described.

Thank you for purchasing a quality Hellwig Product.

Hellwig Products Company, located in Visalia, California was founded in 1946 with solutions for load control of loaded passenger cars. The family operated company produces components for trucks, RVs, muscle cars and military vehicles. Hellwig is ISO9001 certified and is proud to develop, test and manufacture products in the USA.