

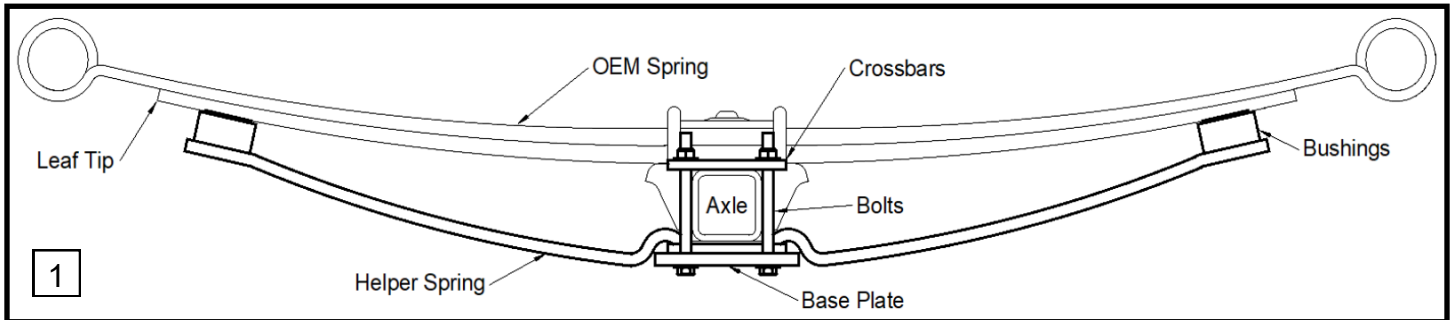


# INSTALLATION INSTRUCTIONS

## Dodge Promaster Helper Springs

Thank you for purchasing a quality Hellwig Product.

**PLEASE READ THIS INSTRUCTION SHEET COMPLETELY BEFORE STARTING YOUR INSTALLATION**



**SAFETY: BEFORE STARTING YOUR INSTALLATION, PARK YOUR VEHICLE ON A FLAT LEVEL SURFACE, SET THE PARKING BRAKE, AND CHOCK THE FRONT TIRES.**

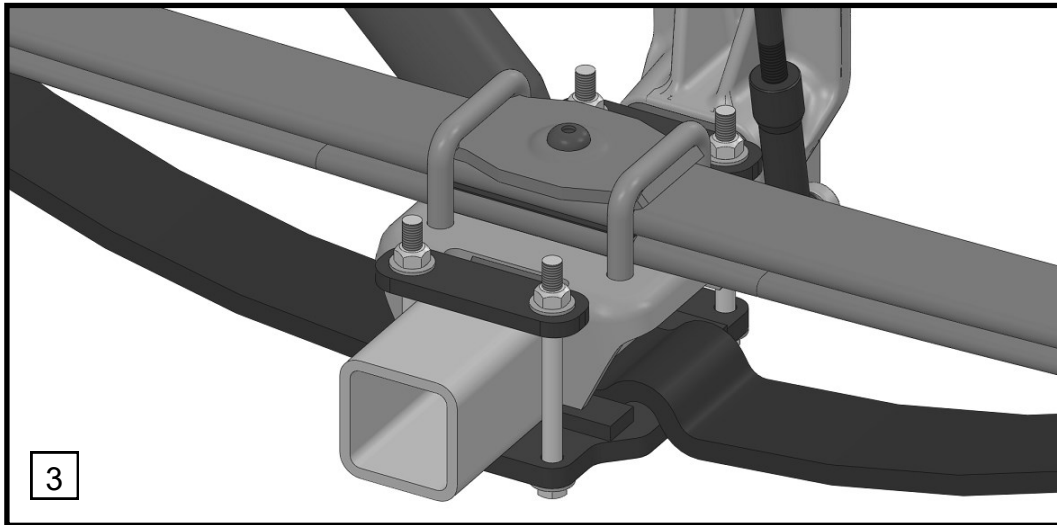
### IMPORTANT NOTES:

1. IT MAY BE NECESSARY TO LIFT THE VEHICLE BY THE FRAME FOR EASIER INSTALLATION. FULLY SUPPORT THE VEHICLE WITH JACK STANDS IF LIFTING IS REQUIRED.
2. THIS KIT INCLUDES LOCK NUTS WHICH REQUIRE TIGHTENING WITH A WRENCH AFTER BEING STARTED BY HAND.
3. HELLWIG HELPER SPRINGS ARE DESIGNED TO INCREASE THE "LEVEL LOAD" CARRYING CAPACITY OF YOUR VEHICLE. NEVER LOAD THE VEHICLE THAT THIS UNIT IS BEING INSTALLED ON BEYOND THE MANUFACTURER'S MAXIMUM GROSS VEHICLE WEIGHT RATING.

### STEPS:

1. Place bushings in holes at ends of spring and attach with included hardware. Tighten locknuts until edge of bushing starts to lift away from spring.
2. Place one of the crossbars on top of the axle tube on the tire side of the OEM leaf pack. Use the provided hardware to loosely attach the base plate, with the spring guides up as shown in photo 2. Note the bolts **MUST** be installed with the bolt heads on bottom and nuts on top. Do not reverse the direction of the bolts. Leave the inboard side hanging loose at this time as shown in photo 2.





3. Place the Hellwig spring on top of the base plate with the hump centered on the plate as shown in photo 3.
4. Lift the inboard side of the base plate up and attach around the axle using the crossbars and provided hardware as shown in photo 3.
5. Tighten down the bolts in an even pattern and torque to 45 ft. lbs.
6. Check your installation for clearance on all undercarriage components; wires, fuel, brake, and air conditioning lines. Test drive the vehicle and recheck your installation, adjust as needed. Recheck on a periodic basis thereafter.

**ATTENTION INSTALLER: BE SURE THAT THE CUSTOMER RECEIVES THIS INSTRUCTION SHEET, ALL IMPORTANT NOTE CARDS AND THE WARRANTY FORM**

**MAINTENANCE AND INSPECTION:**

Your Hellwig Suspension Product is built to last. However, as with all vehicle systems, it requires routine inspection. Inspect your Hellwig installation looking for secure hardware and tight fitting brackets. If you do not perform this inspection, have your professional mechanic inspect as described.

**THANKYOU FOR PURCHASING A QUALITY HELLWIG PRODUCT**

Hellwig Products Company, located in Visalia, California was founded in 1946 with solutions for load and sway control. The family operated company produces components for trucks, RVs, muscle cars, fleets and military vehicles. Hellwig is ISO9001 certified and is proud to develop, test and manufacture products in the USA.