



BRIEF INFORMATION

Rich Tone Horn M26

- Rich, high-quality tone with noise propagation
- Timeless, fine design
- Optimum tone colour when a treble and bass set is installed

PRODUCT FEATURES



- Effective sound
- Guaranteed brand quality
- Practice-proven service life

Special features

- Optional Teflon pill to protect against humidity
- High corrosion protection
- Variants with additional interference suppression available

TECHNICAL DETAILS

Technical specifications

Diameter



97 mm

Volume



115 dB (A)
@ 2 m

Audio frequency



335 / 400 Hz

Approval



ECE R28;
E 0020011

Voltage



12 V / 24 V

Target groups

Agricultural machinery



Saloon



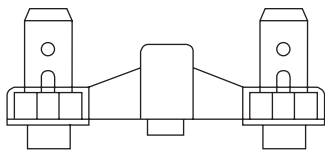
Off-road



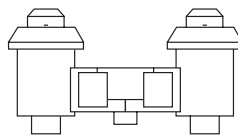
Small car



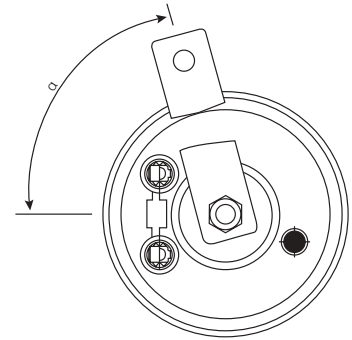
Technical drawing



Drawing - connection A
6.3 mm flat plug



Drawing - connection B
6.3 mm splashwater-proof flat plug in
conjunction with rubber grommet
9GT 700 452-005



Drawing - bracket position
(exemplary representation)

PROGRAM OVERVIEW

Part Number	Rated voltage (V)	Frequency (Hz)	Drawing Connection	Teflon pill	Additional electrical interference suppression	Housing colour	α : position of bracket ($\pm 5^\circ$), 0° = position of electrical connection	Remarks
3AM 002 952-891	12	335 / 400	A	yes	no	galvanised	270°	copper flat plug, set
3AL 002 952-811	12	400	A	yes	no	galvanised	270°	copper flat plug
3AL 002 952-861	12	335	A	yes	no	galvanised	270°	copper flat plug
3AL 002 952-871	24	335	A	no	no	galvanised	270°	copper flat plug
3AL 002 952-841	12	335	B	yes	no	galvanised	270°	copper flat plug
3AL 002 952-827	12	400	B	no	no	black	75°	flat plug, galvanically tin-plated
3AL 002 952-857	12	400	A	yes	no	galvanised*	270°	copper flat plug
3AL 002 952-917	12	335	B	no	no	galvanised	152°	copper flat plug
3AL 002 952-907	12	400	A	yes	diode	galvanised	270°	copper flat plug
3AL 006 958-821	24	400	A	yes	no	galvanised	270°	copper flat plug
3AL 908 571-021	12	400	A	no	no	galvanised	270°	flat plug, galvanically tin-plated
3AL 908 571-031	12	335	A	no	no	galvanised	90°	flat plug, galvanically tin-plated Negative connection via housing
3AL 002 952-927	24	335	A	no	diode	galvanised	270°	copper flat plug

* Front black