



Technology with Vision

## K-LED 50 LED BEACON FIXED MOUNT



### OPERATION

**RED:** To +VDC

**BLACK:** To Chassis Ground (-)

### **YELLOW:** Flash patterns & Synchronization

Connect YELLOW wires of all heads together for synchronization

\*All heads must be set at the same pattern\*

Momentarily apply +VDC to YELLOW wire:

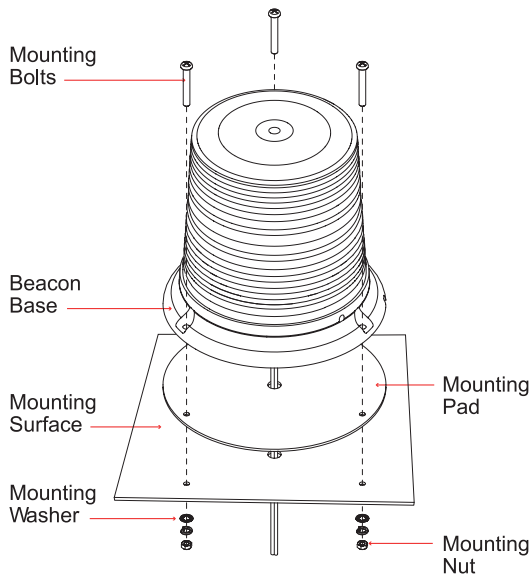
- once for next pattern
- quickly 3 times for reset

**Note:** Make sure to cover all unused bare wires.

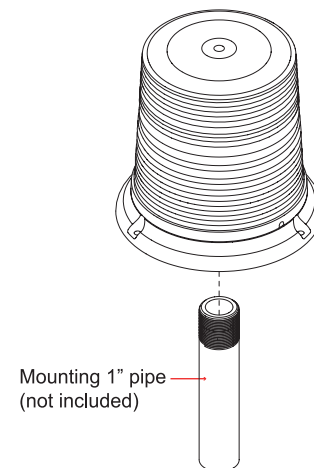
Flash Pattern #	Flash Patterns
1	Double (2Hz)
2	Single (2Hz)
3	Quad (2Hz)
4	Single
5	Double
6	Quad
7	Quint
8	Mega
9	Ultra
10	Single-Quad
11	Single H/L
12	Steady

**Note:** This unit may not be factory set at Flash Pattern #1.

### 3 Bolt Mount



### 1" Pipe Mount





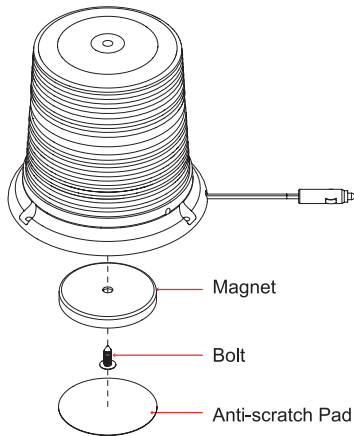
Technology with Vision

## K-LED 50 LED BEACON TEMPORARY MOUNT



### FLASH PATTERN CHANGE

#### Magnetic Mount



#### 1. Open Beacon

Twist dome counter-clockwise **B**, then lift dome to open.

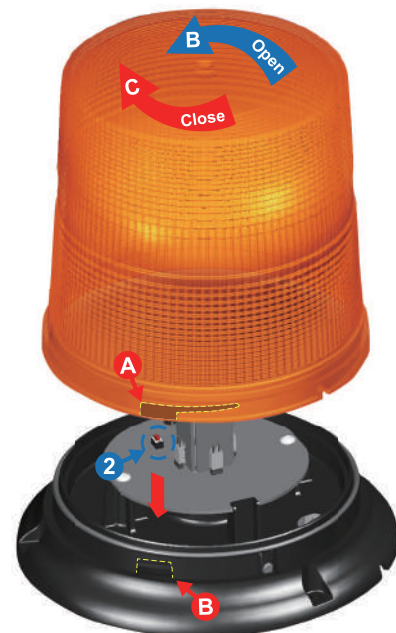
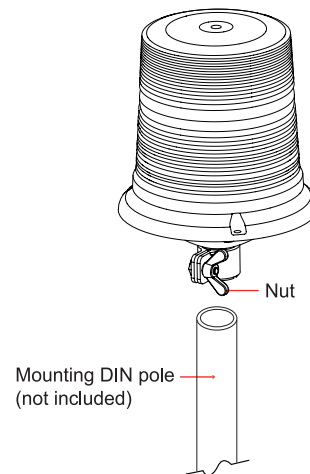
#### 2. Change Pattern

Momentarily push red button **2**, to change to next flash pattern. (see flash pattern chart)

#### 3. Close Beacon

Align dome indent **A** with the base **B**, then twist clockwise **C** to close.

#### DIN Mount



**WARNING:** It is not recommended to use magnetically mounted warning devices on the outside of vehicles in motion. Usage is at the sole risk and responsibility of the user.

Rely only on high-grade emergency and warning lighting offered on our virtual shelves.