



BRIEF INFORMATION

Ultra Beam LED Gen. II

- The classic worklight with LED technology
- Even higher light output – better than Xenon Performance
- For versatile use

PRODUCT FEATURES

In 2014, an LED variant was added to the globally best-selling Ultra Beam range of worklights. The light-optimised second generation is now coming onto the market. Thanks to a much higher light output of 4,000 lumen, the Ultra Beam LED Gen. II can replace even the xenon worklights without any problems.

The light is distributed by a specially developed multi-faceted reflector, thus ensuring homogeneous illumination. With different lenses, this worklight can be used for close as well as long-range illumination. Despite the enormous light yield, the Ultra Beam LED Gen. II is efficient, using just 56 watt.

The integrated electronics protect the device in the event of polarity inversion and guarantee constant brightness, even when the operating voltage fluctuates between 9 and 33 volts. This ensures that the worklight stays functional and guarantees safe working at night.

With a colour temperature of 6,500° Kelvin, the light from the LED worklight is very similar to daylight. This helps to distinguish colours more easily in the dark, and makes sensory perception through the human eyes much easier. This in turn facilitates work at night and prevents the eyes tiring quickly.

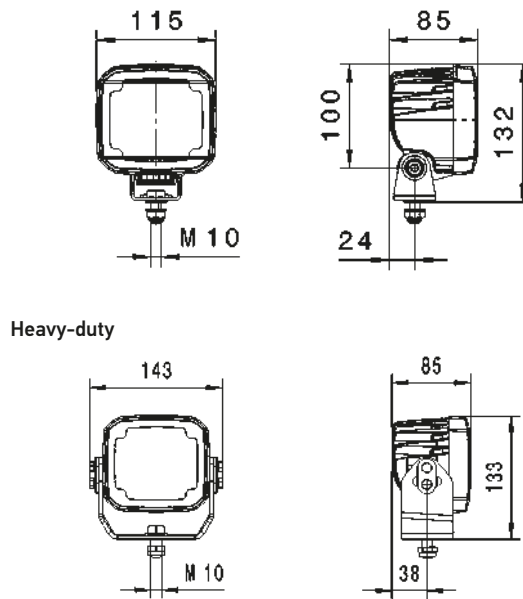
The worklight's black housing is made of aluminium and incorporates cooling fins. These ensure sufficient heat dissipation from the 8 high-power LEDs. Additionally, a temperature sensor protects the worklight from overheating. This is the only way the long service life of the LEDs (up to 30 times longer than a xenon gas-discharge lamp) can be exploited.

TECHNICAL DETAILS

Technical Data

Operating voltage/ Rated voltage	9–33 V
Recommended angle of inclination	Close-range: 12°, long: 5°
Light source type	8 high-power LEDs
Power consumption	56 W
Light output	4,000 lm
Colour temperature	6,500° Kelvin
Protection class	IP 6K9K and IP 6K8
Type approval	Ⓜ, ECE-R10
Housing	Aluminium die cast
Light exit area	105 x 95 mm
Weight	1.040 g / 1.220 g (HD)

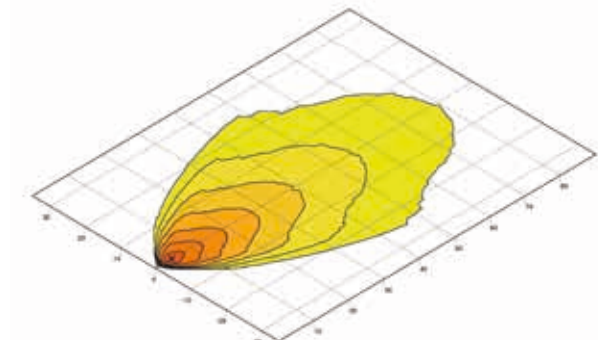
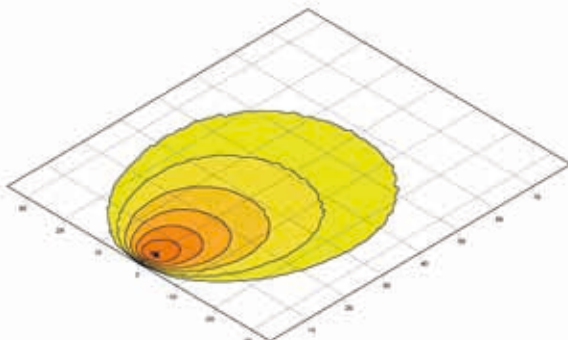
Dimensional sketch



RANGE OVERVIEW

1GA 995 606-...	-001	-011	-071	-081
Close-range illumination	X	-	X	-
Long-range illumination	-	X	-	X
Upright mounting	X	X	X	X
Suspended mounting	X	X	X	X
Bracket width	42 mm	42 mm	-	-
Heavy-duty bracket	-	-	X	X
DEUTSCH plug	X	X	X	X
Nylon lens	X	X	X	X
Protected against overheating	X	X	X	X
Polarity reversal protection	X	X	X	X

LIGHT DISTRIBUTION



Close-range illumination

Long-range illumination



Rely only on high-grade off-road lights offered on our virtual shelves.