

HELLA
VALUEFIT



BRIEF INFORMATION

S3000 LED

- Low mounting position offers exceptionally large-surface illumination
- Lighting similar to daylight

PRODUCT FEATURES

The new S3000 LED work light comes in handy when a particularly large-surface illumination for safe and fatigue free working is required. The stable and compact aluminium body provides protection against overheating. The connection is possible via DEUTSCH connector and 800 mm adapter connection. With its 9 bright high-performance LEDs, this universal work light provides lighting similar to daylight: 3000 lumens at a power consumption of 30 watts.

For optimal illumination, a mounting height of 0.50 - 1.50 m is recommended. This will ensure light distribution in a particularly even and extensive manner throughout the working area, thus leading to a significant improvement of nighttime working conditions.



S3000 LED is ideal for all kind of working conditions.

TECHNICAL DETAILS

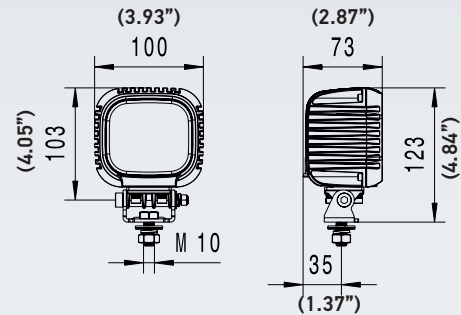
Technical data

Part Number	357109002
Operating voltage	Multivolt 12 – 48 VCD
Power consumption	30 W
Light output (measured)	3000 lm
Colour Temperature	6000 K
Housing	Aluminium die cast
Light distribution	Close range
Mounting	Upright and suspended
Tightness capability	IP67
Connection	DEUTSCH connector
Type approval	ECE-R10, CE, RoHS
Accessories	including 800 mm adapter cable
Recommended mounting height	0.50 – 1.50 m
Country of Origin	China

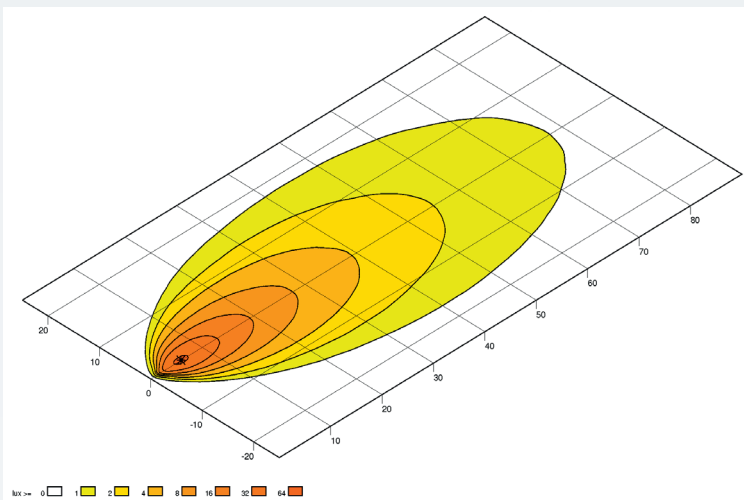
Typical Applications



Dimensional sketch



LIGHT DISTRIBUTION



The Lux unit

As a unit of illuminance, Lux defines the luminous flux from a light source that hits a specified surface. For example, an office should be illuminated with at least 500 Lux and with just 1 Lux the human eye can read a newspaper without any problem. The values along the Lux bar show where the respective illuminance is achieved in the light distribution diagrams.

Using Isolux diagrams, we can illustrate and compare light distributions. The red-orange colour indicates the area of high intensity illumination; the illuminance falls from yellow to greenish depending on the distance from the light source.

The characteristics, specifications and availability of the product are subject to change without prior notice.