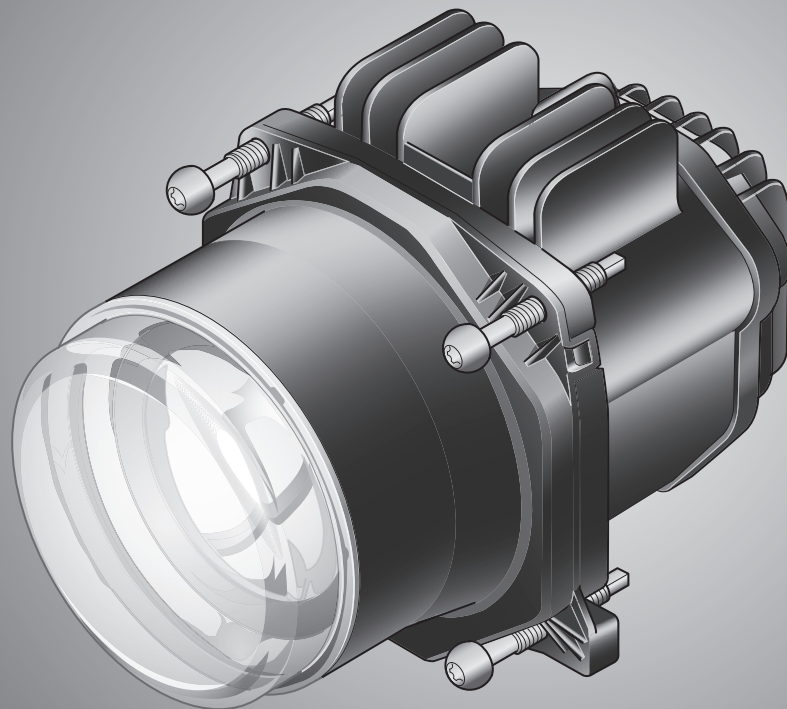


**Installation Instruction**  
**90mm BI LED Module**



Subject to alteration without notice

*Explanation of symbols*



Correct



Incorrect



Location/Position Arrow



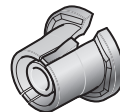
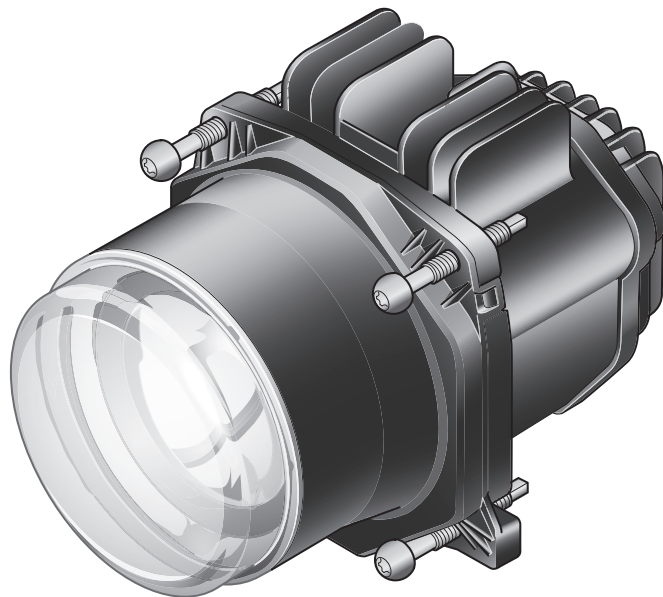
Movement Arrow



Warning

**Kit Includes**

**1AL 010 820-02X**  
**1LL 010 820-03X**

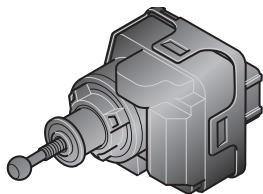


**3x**



**3x**

**Accessories**



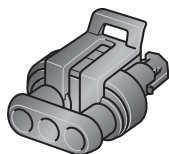
**6NM 007 282-221 (12V)**  
**6NM 008 299-501 (24V)**



**8HG 138 619-007**



**8HG 138 620-007**



**8JA 746 184-032**



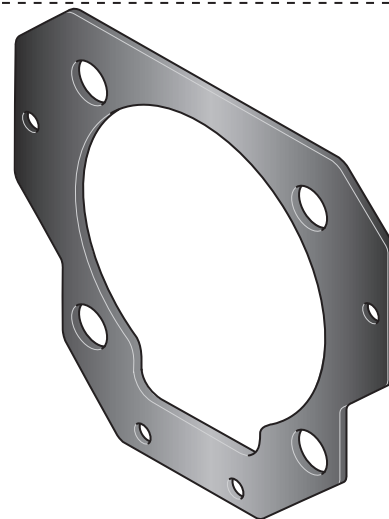
**8KW 744 837-002**



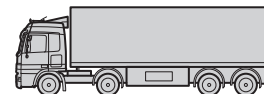
**9GD 746 185-002**



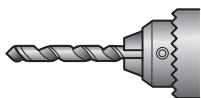
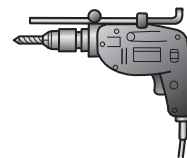
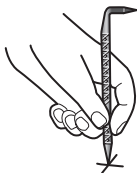
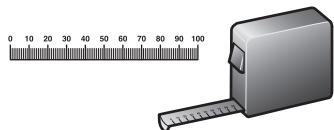
**9AH 169 580-011**



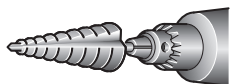
**9AH 185 978-011**



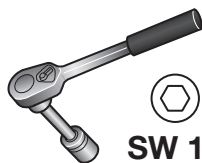
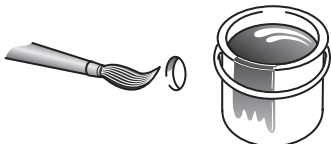
**Installation tools required**



**3,5 mm**  
**5 mm**  
**6,5 mm**



**14 mm**  
**16 mm**  
**17 mm**  
**24 mm**



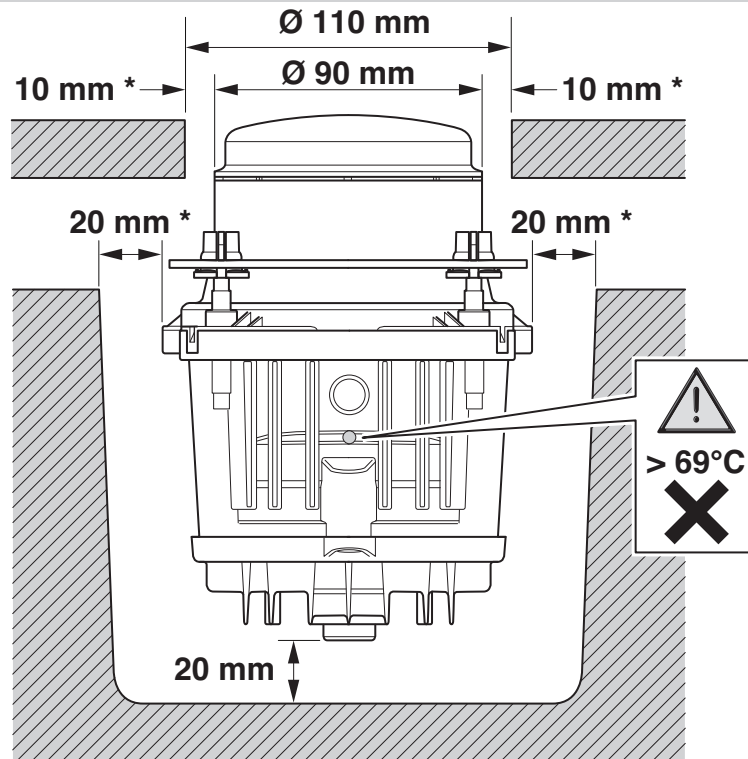
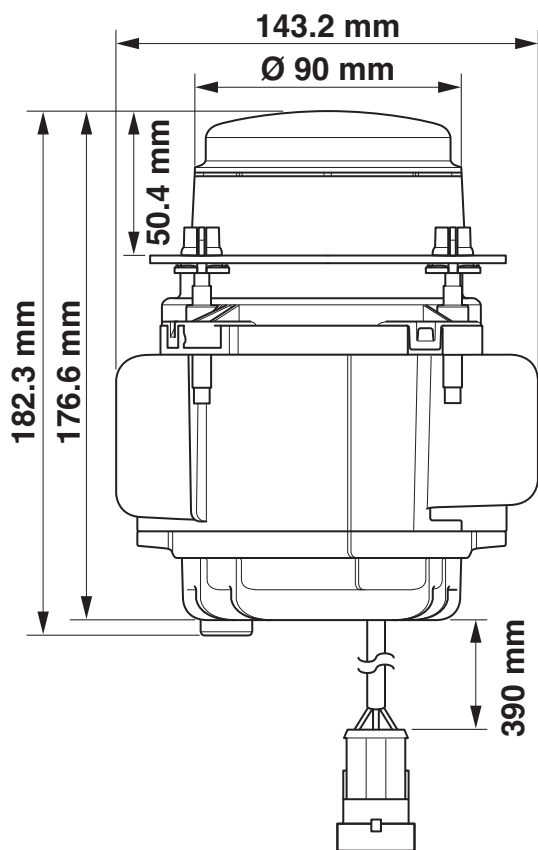
  
**SW 10**



**Torx 20**

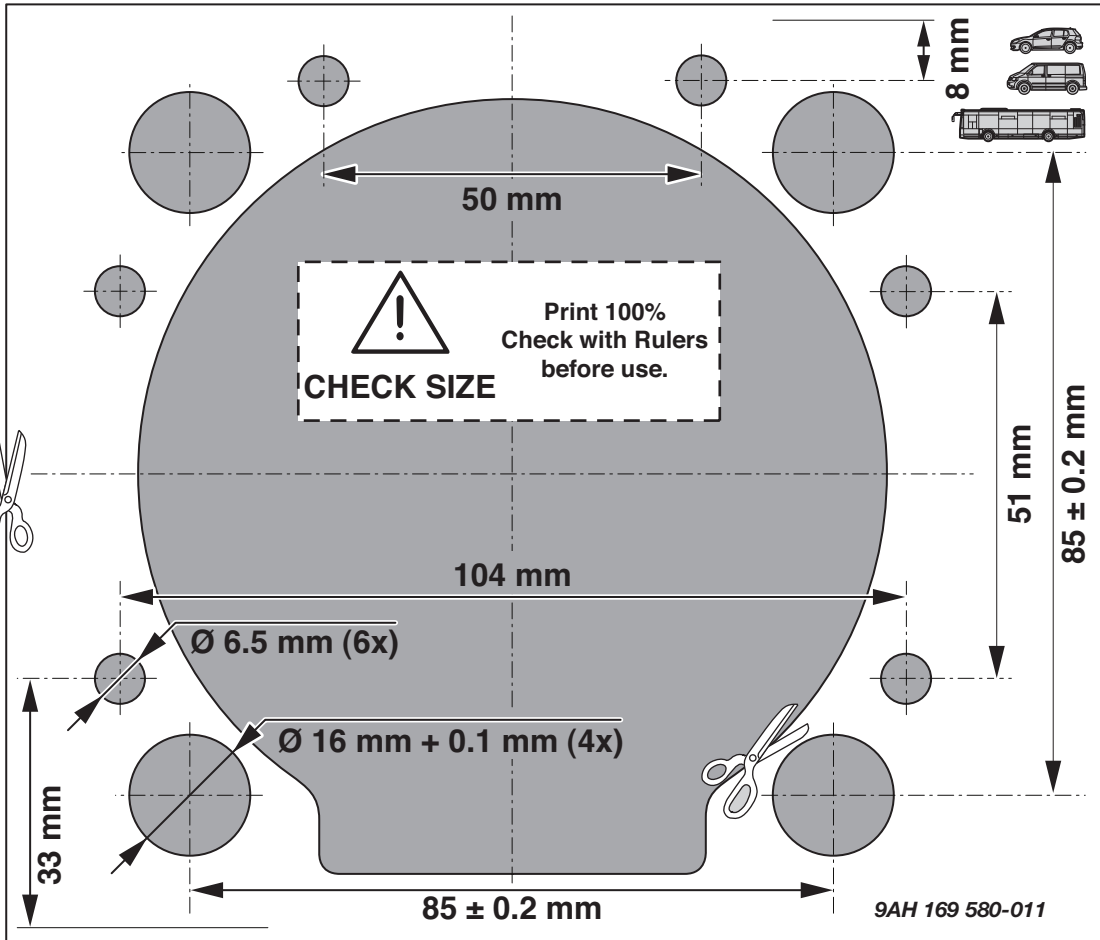
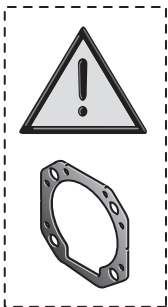


# Mounting



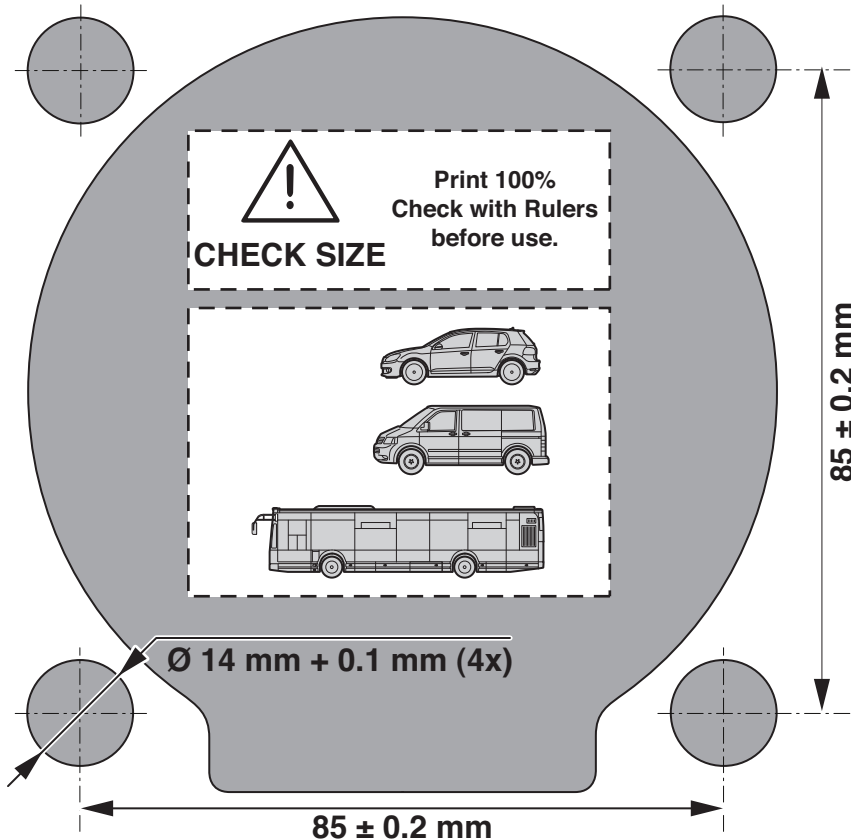
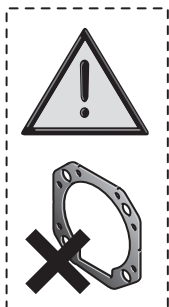
\*  32, 33

1:1

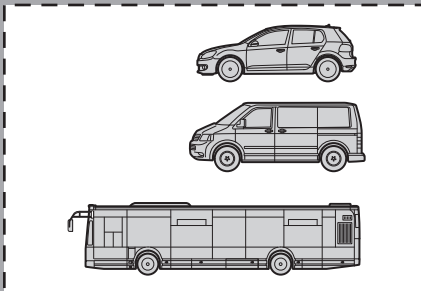


9AH 169 580-011

1:1



  
**CHECK SIZE**  
Print 100%  
Check with Rulers  
before use.



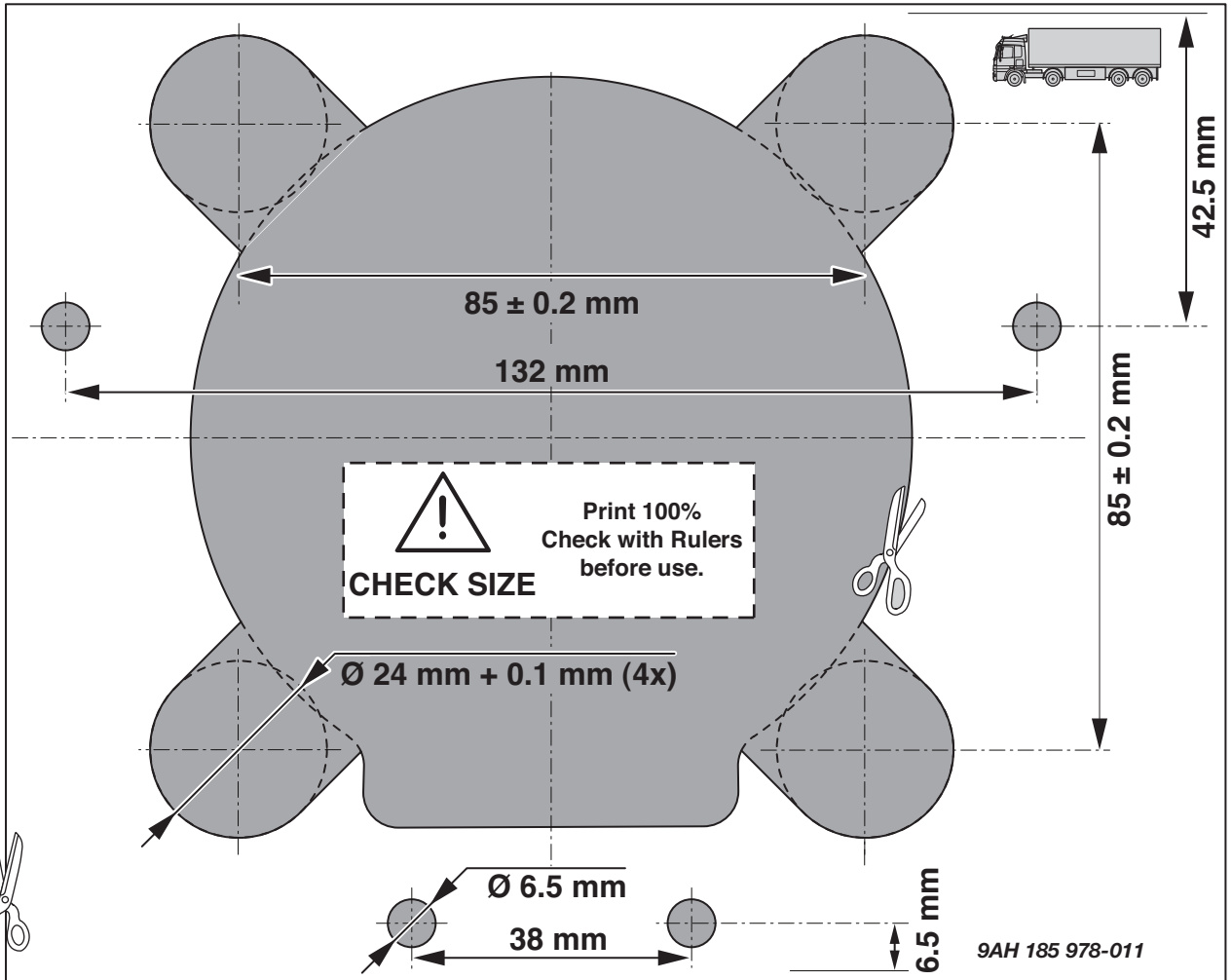
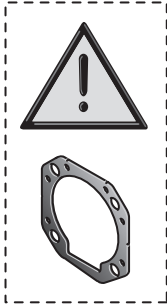
$\text{Ø } 14 \text{ mm} + 0.1 \text{ mm (4x)}$

$85 \pm 0.2 \text{ mm}$

$85 \pm 0.2 \text{ mm}$



1:1




42.5 mm

85 ± 0.2 mm

132 mm

85 ± 0.2 mm

 Print 100%  
Check with Rulers  
before use.  
**CHECK SIZE**

Ø 24 mm + 0.1 mm (4x)

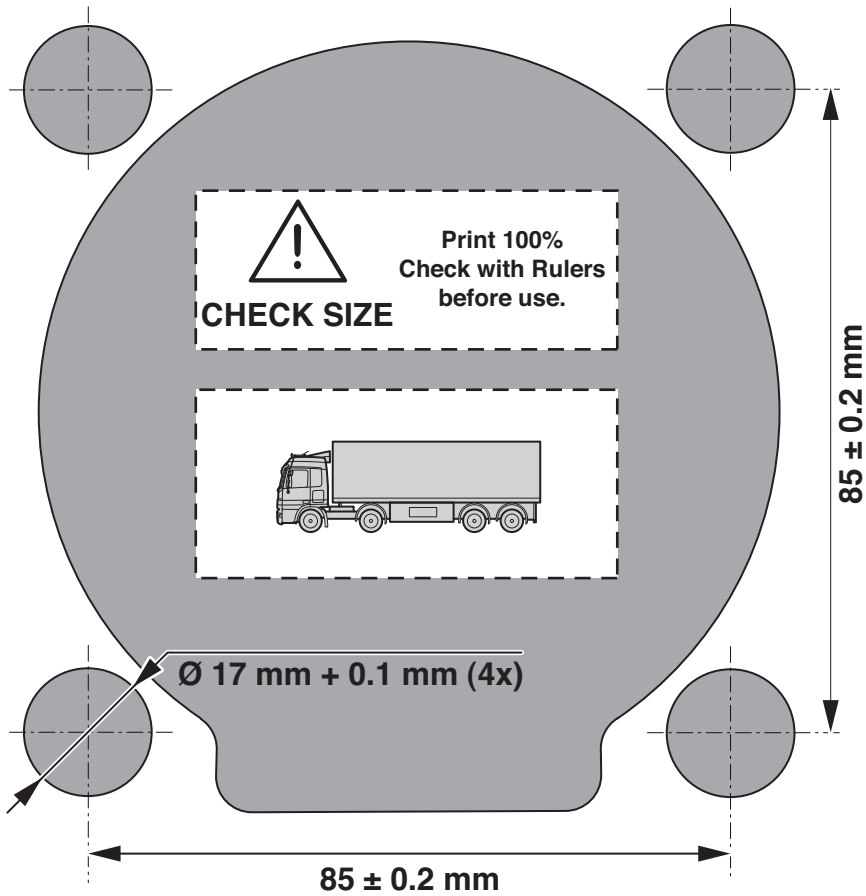
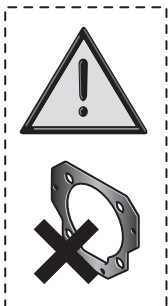
Ø 6.5 mm

38 mm


6.5 mm

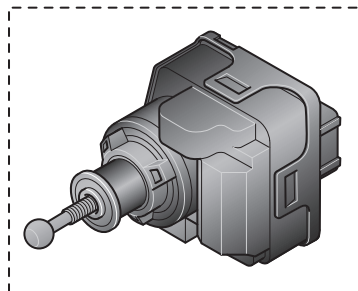
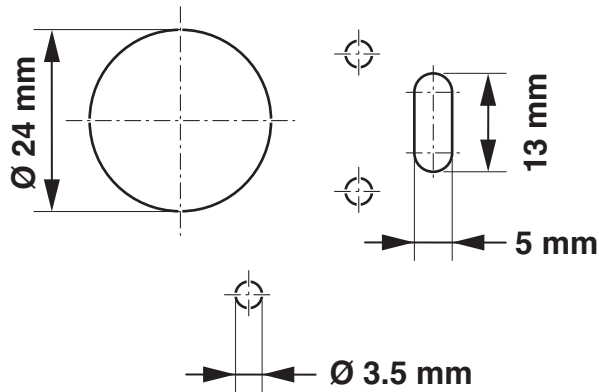
9AH 185 978-011

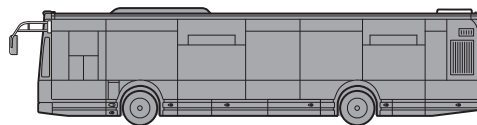
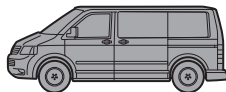
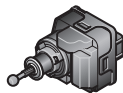
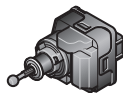
1:1



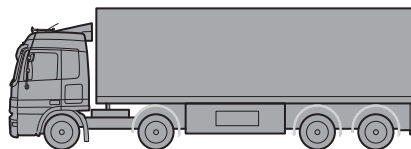
1:1

  
**CHECK SIZE**  
Print 100%  
Check with Rulers  
before use.

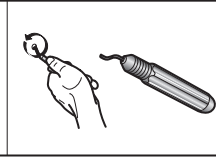
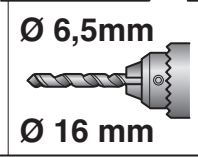
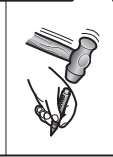
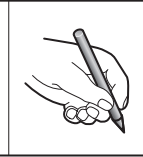
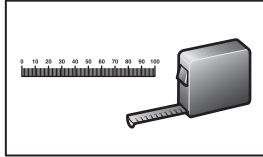
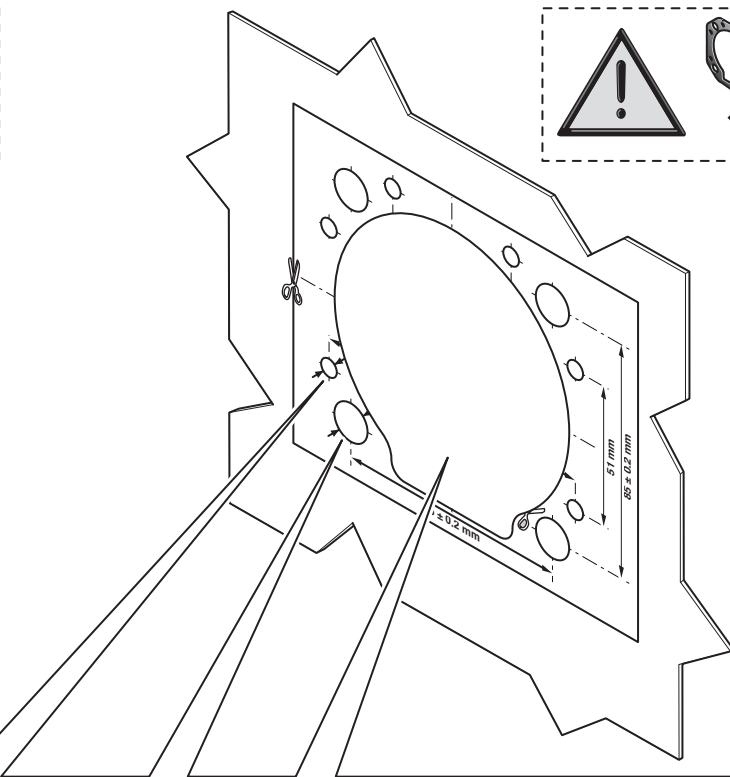
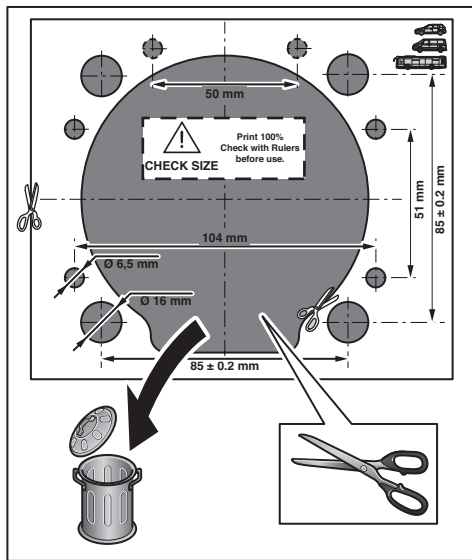
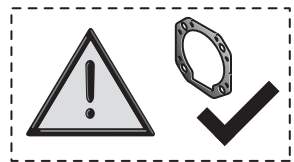
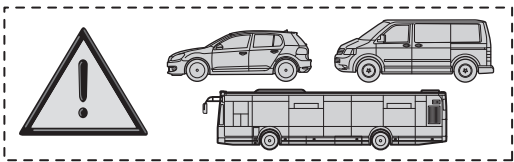


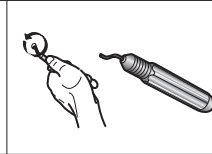
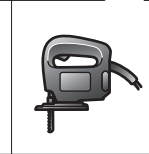
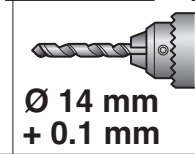
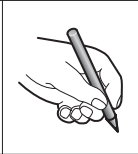
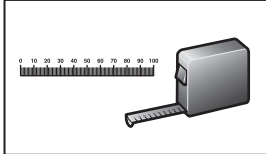
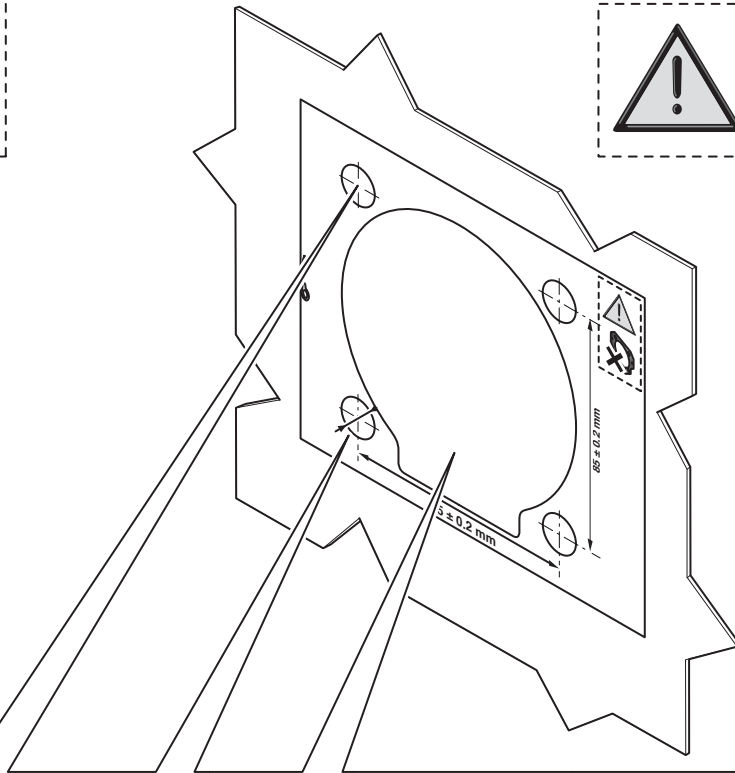
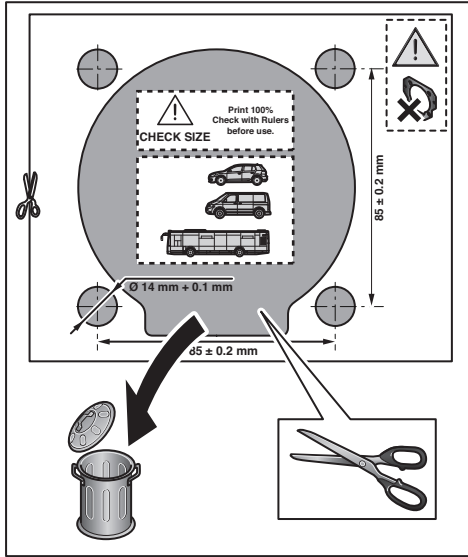
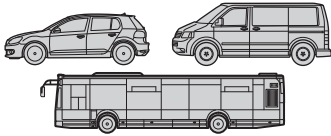


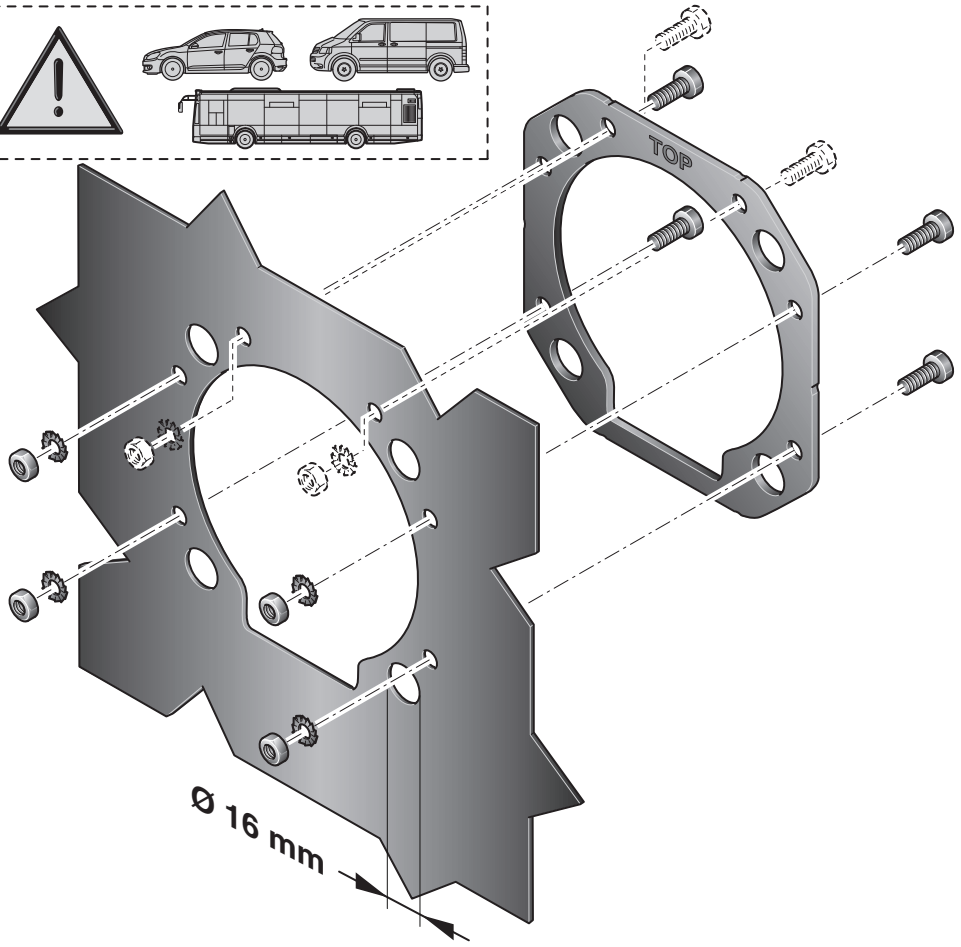
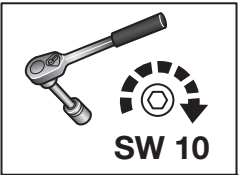
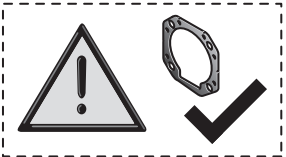
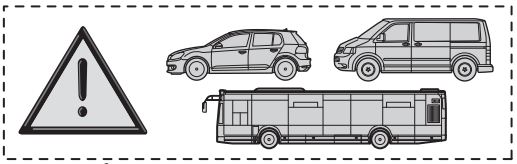
**14 - 18**

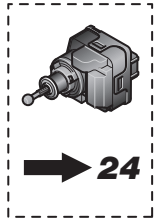
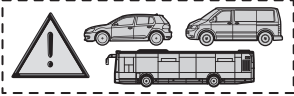
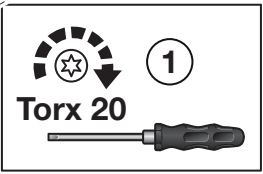
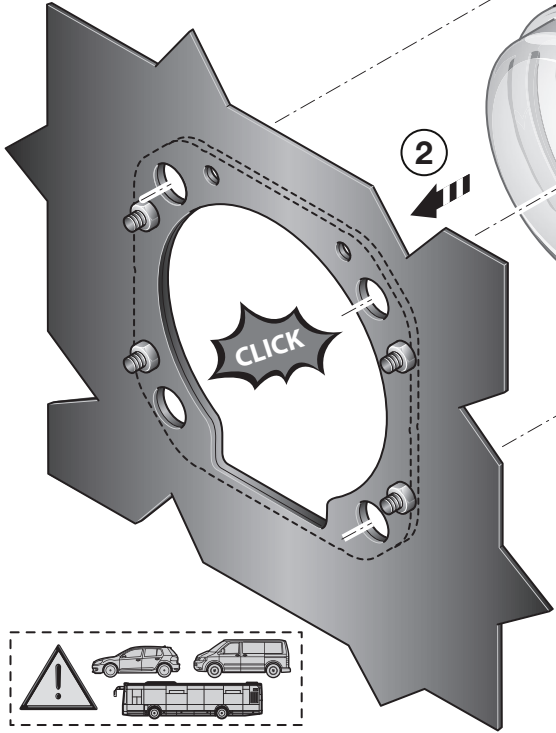
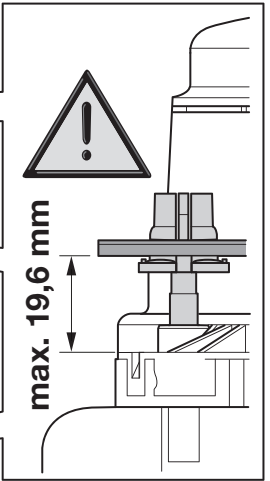
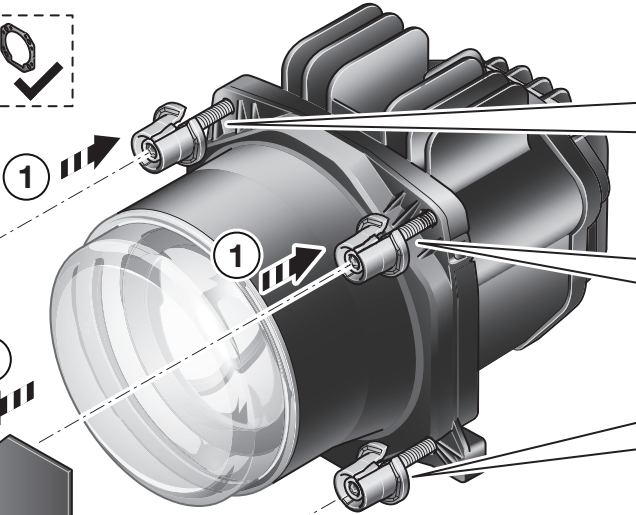
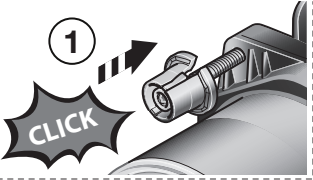


**19 - 23**



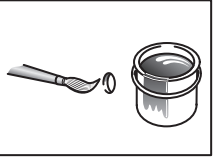
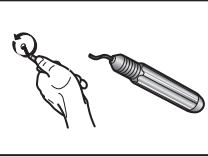
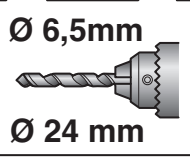
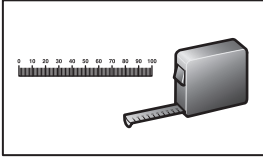
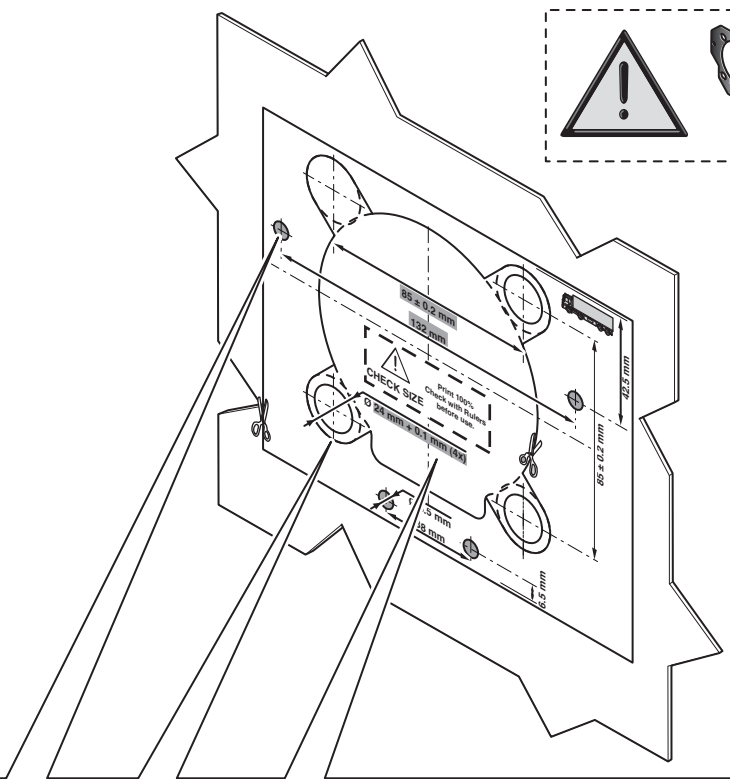
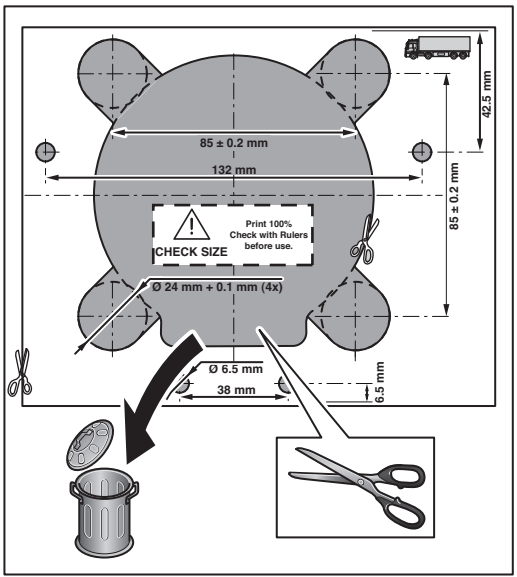
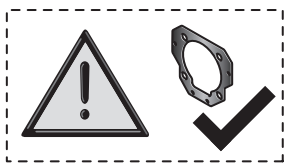
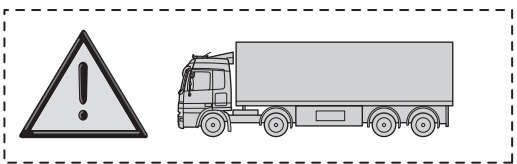


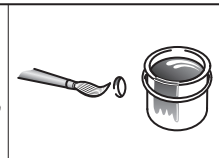
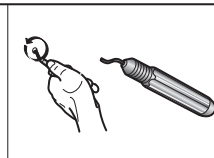
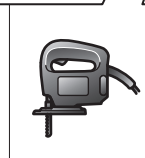
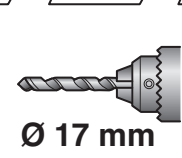
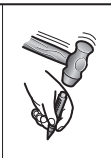
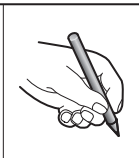
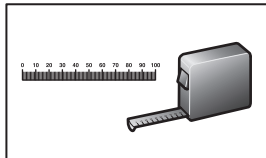
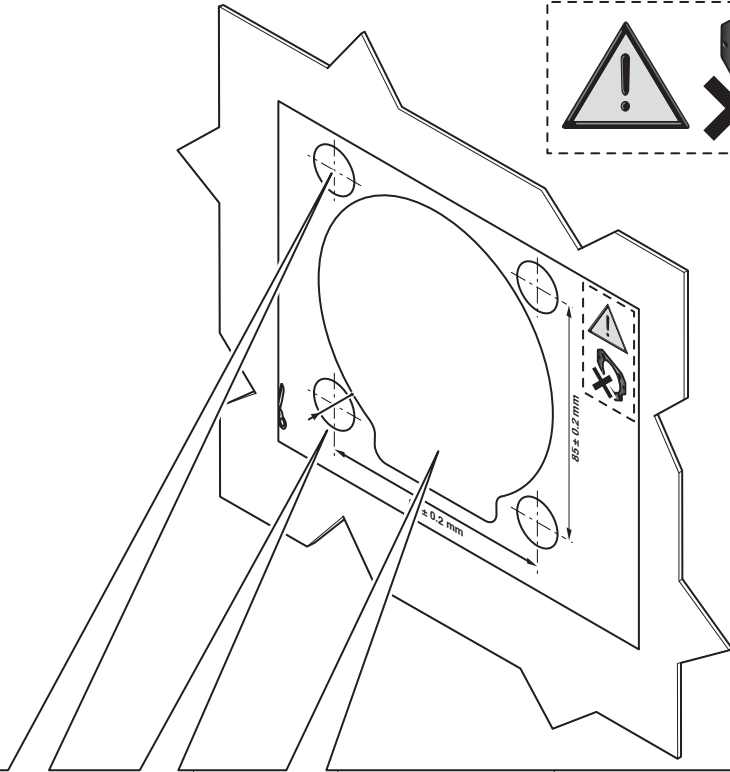
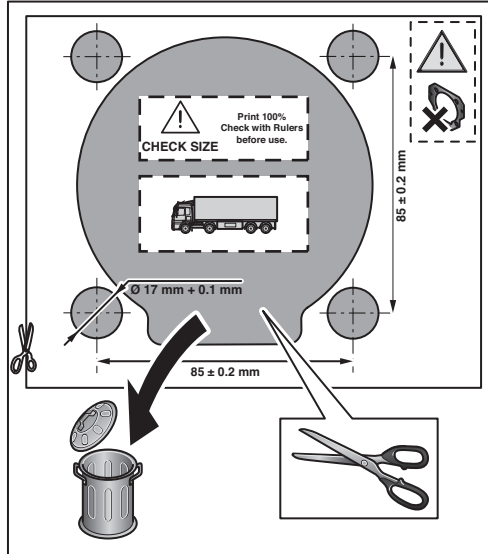
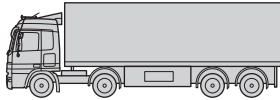


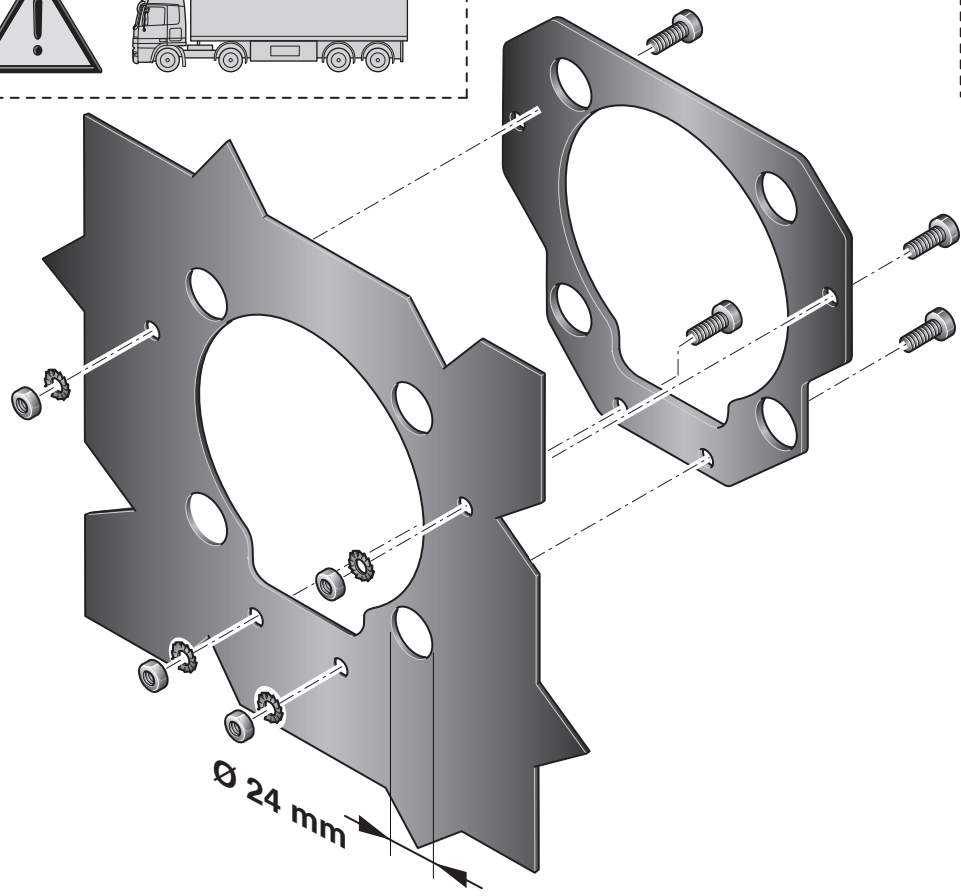
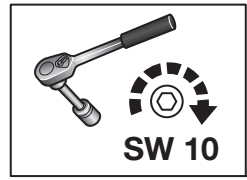
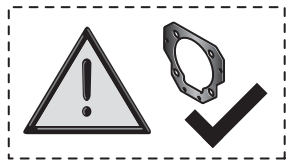
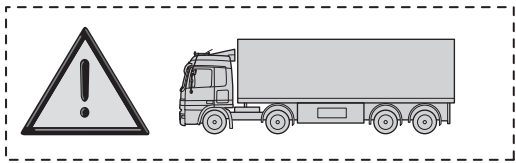


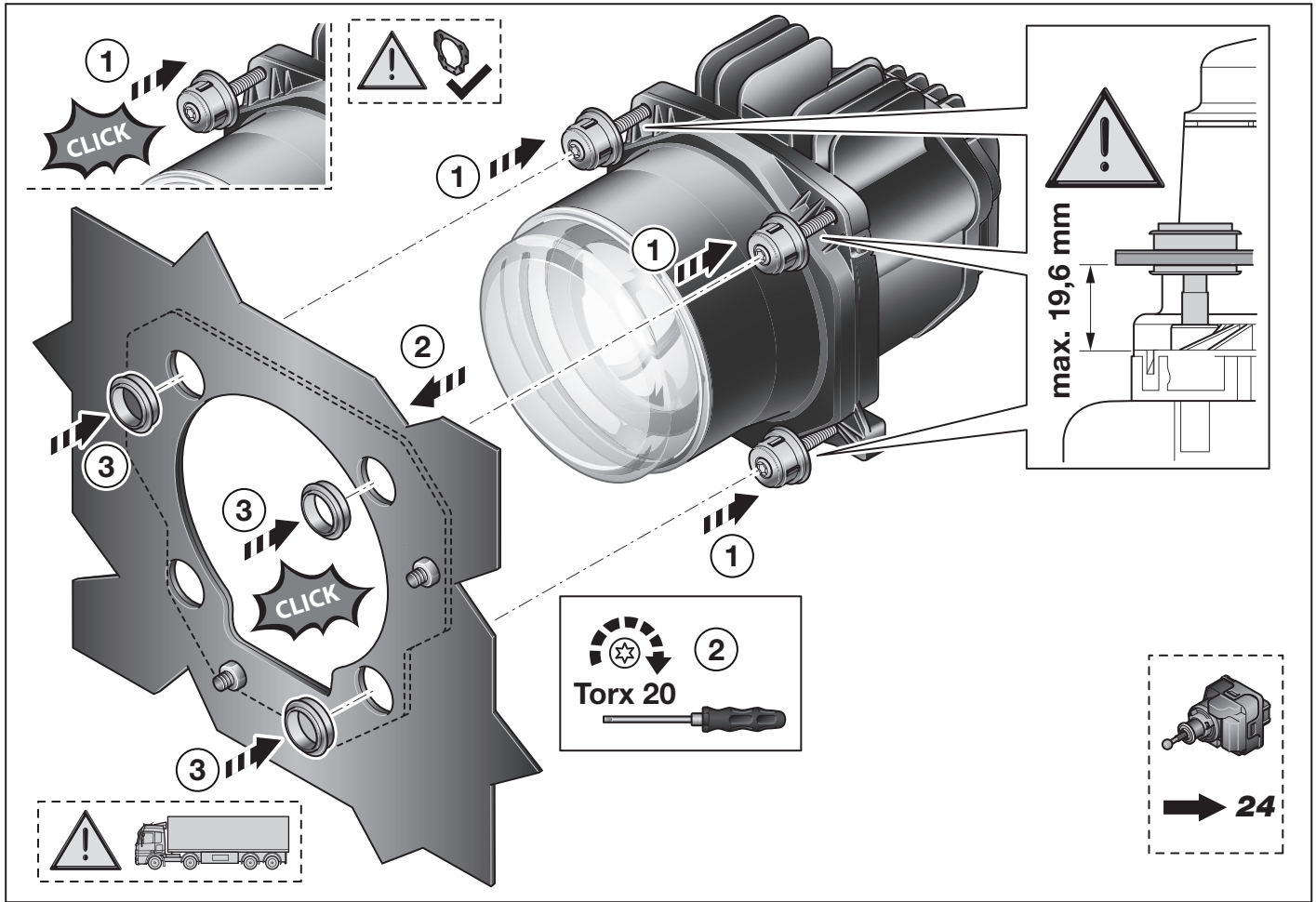


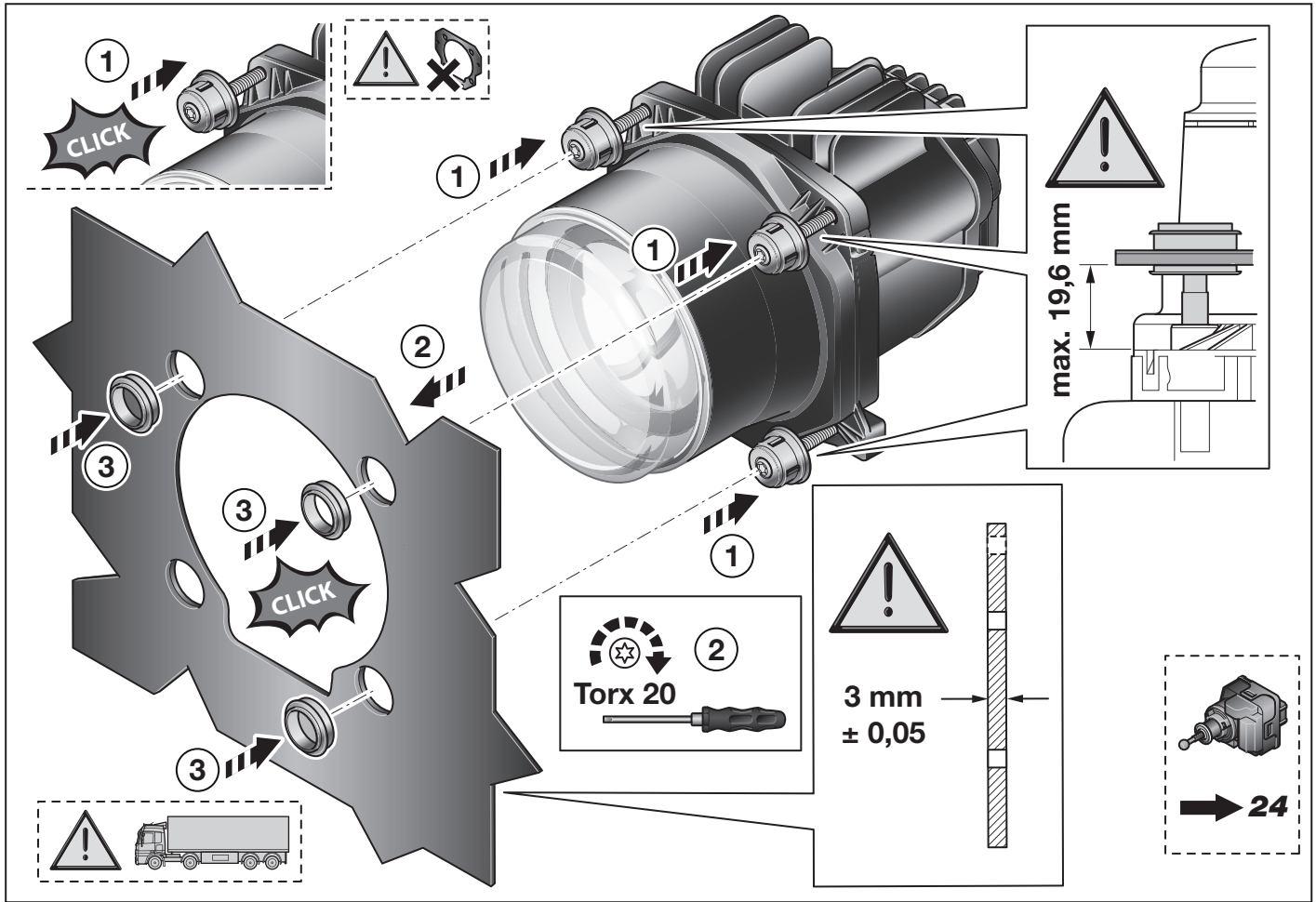


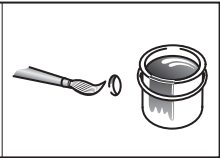
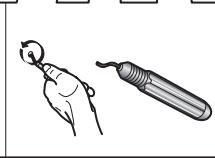
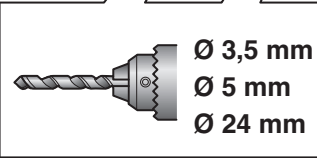
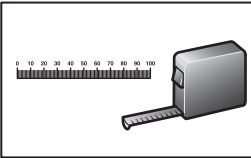
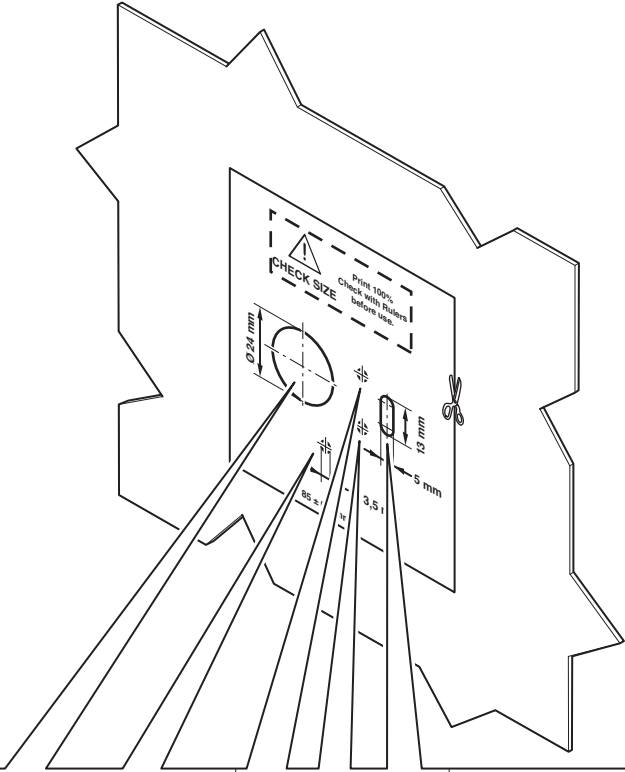
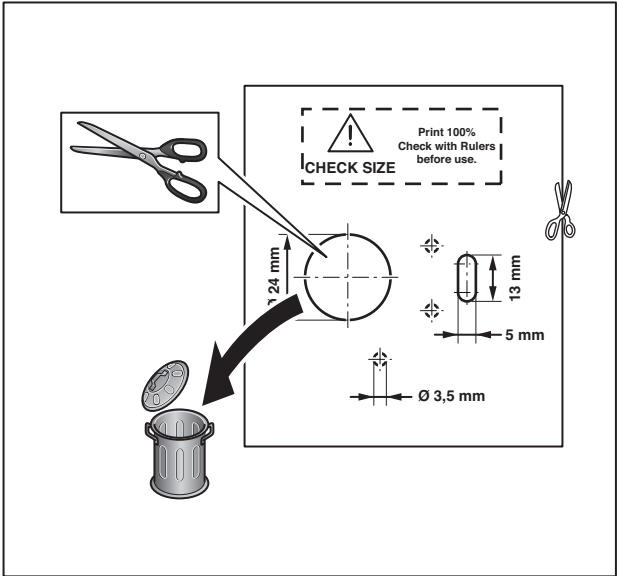


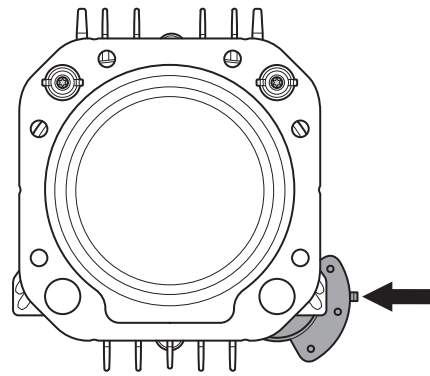
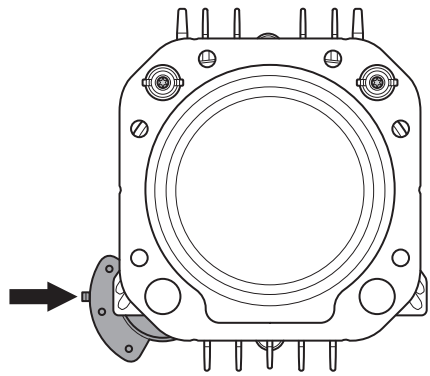




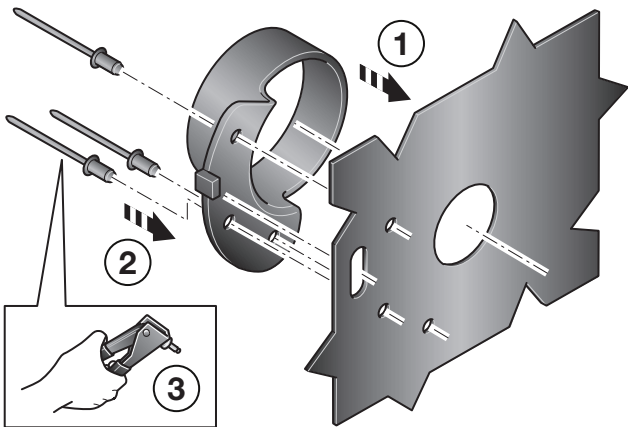




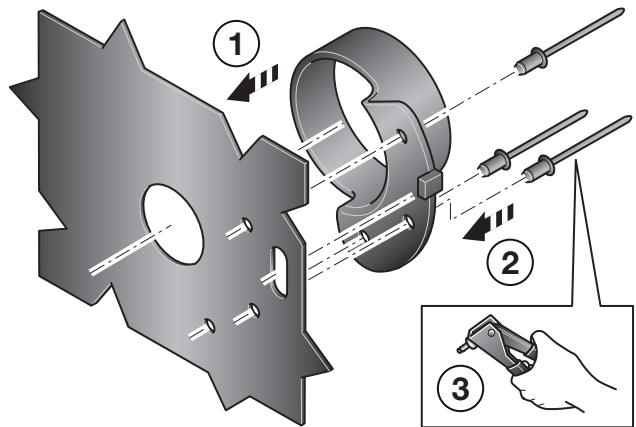




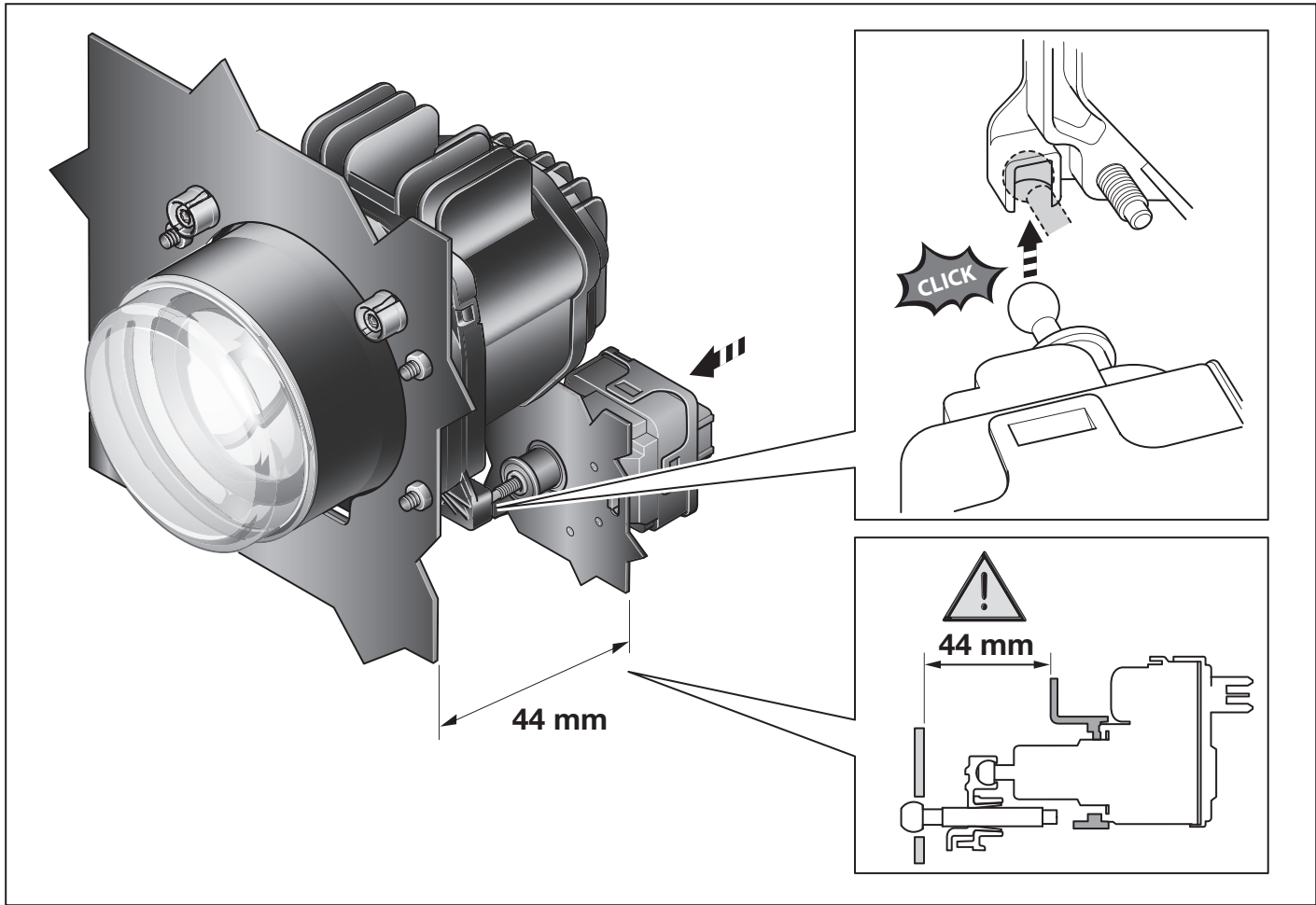
**8HG 138 620-007**

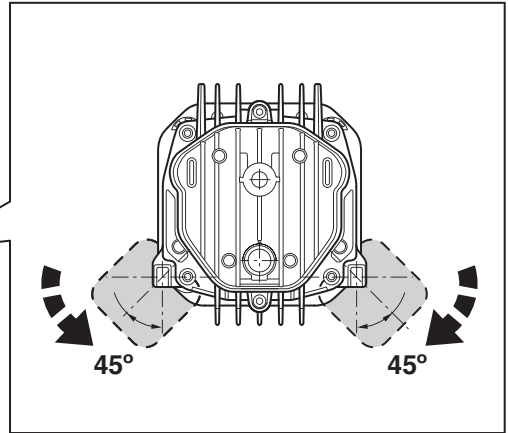
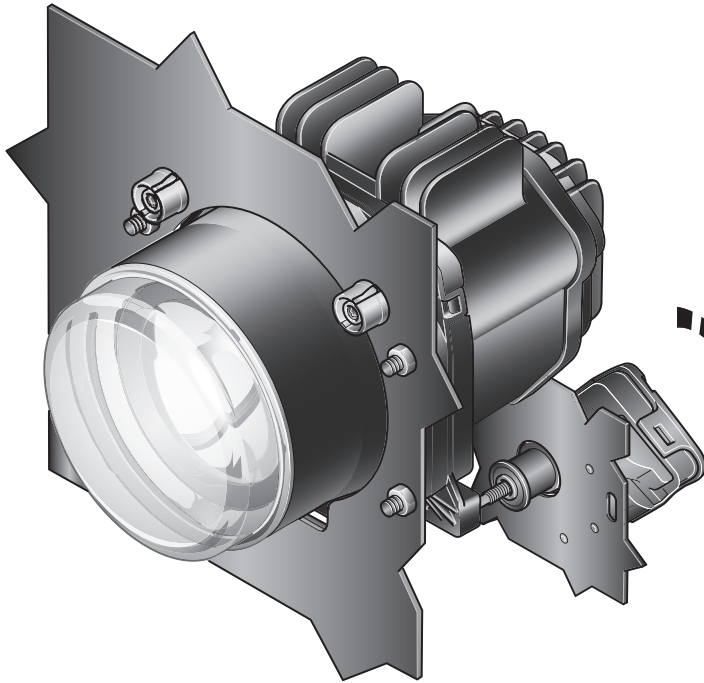


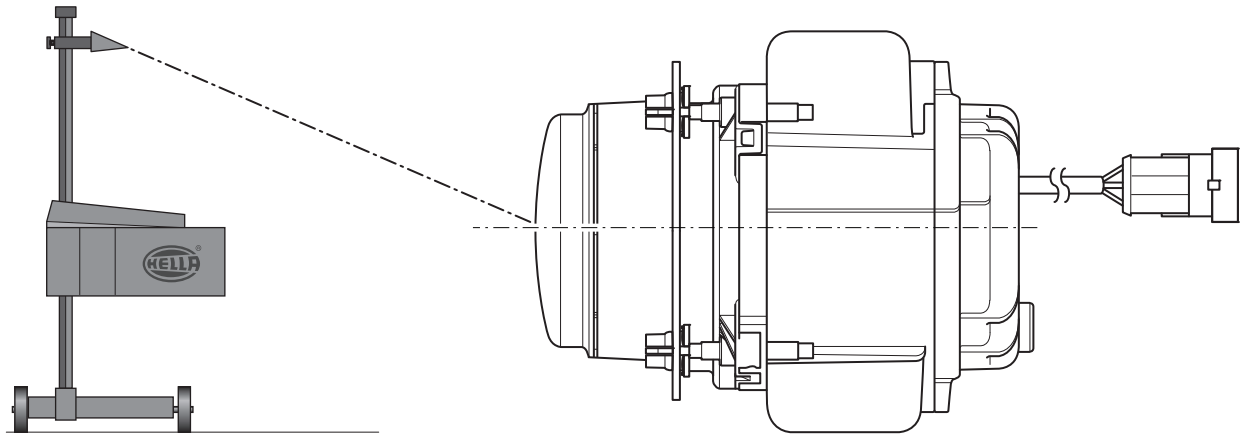
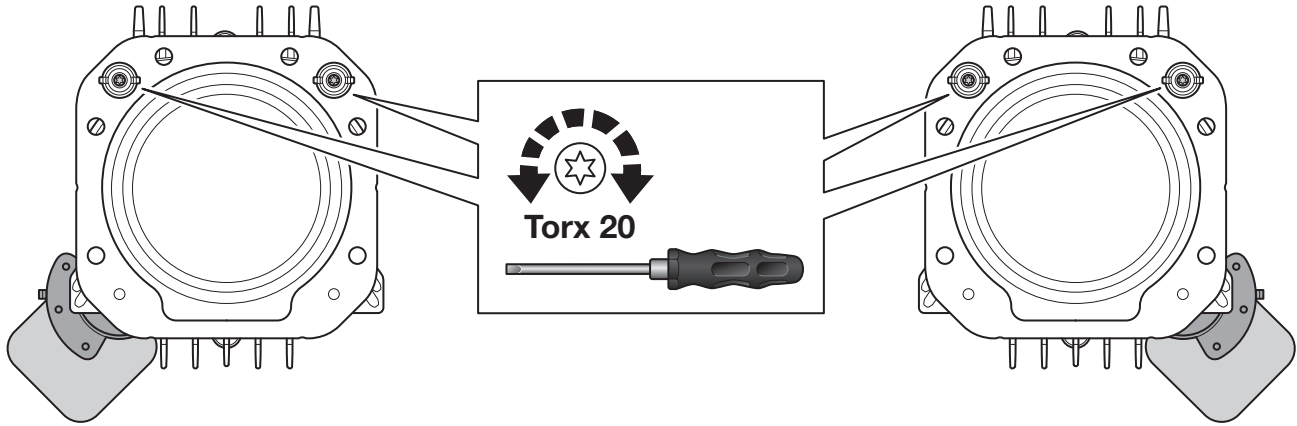
**8HG 138 619-007**



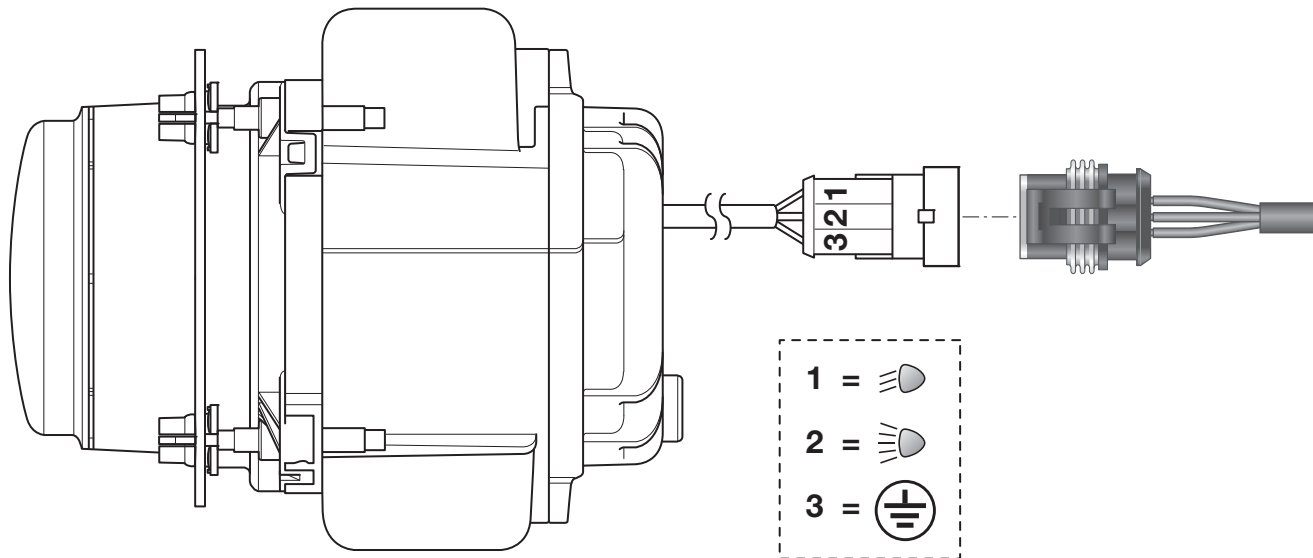








**Electrical connection**



Low Beam: max. 35 W  
High Beam: max. 35 W  
Fuse Low Beam: 5 A  
Fuse High Beam: 5 A  
Operating Voltage: 9-32 V  
Max. Operating temperature range: +50°C

The legally required failure indicator stipulated in the ECE R48 regulation for the LED headlights is to be mounted in the vehicle. Take the necessary precautions in order that these regulations are met.

\* The gauge must be kept circulating around the module.

---

To use the headlight flasher and high beam function, the low and main beam lights must be switched on together.

Information Text

Check that the lighting system is working perfectly

If you have questions or installation problems, please call the HELLA Service, wholesaler, or turn to your garage.