

28-48 FORD MANUAL BRAKE PEDALS

HEXPBA

MODEL 'A' BRAKE PEDAL ASSEMBLY

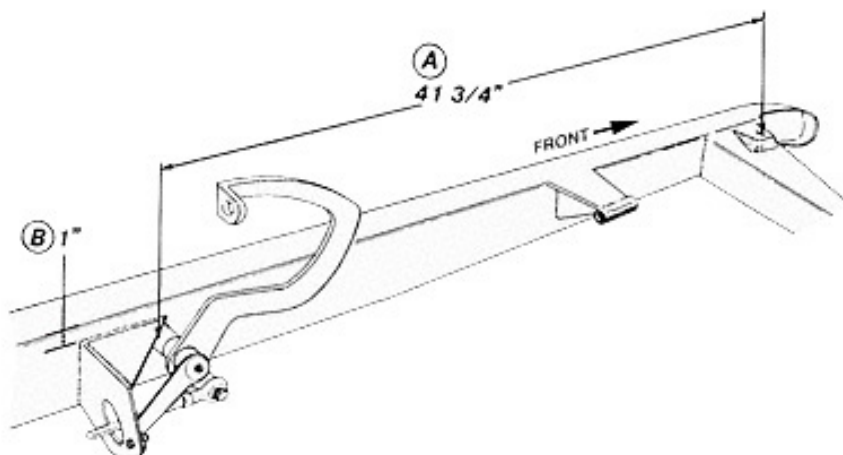
The Model 'A' brake pedal-master cylinder assembly is positioned as follows:

A. The center of the pedal pivot is positioned $41 \frac{3}{4}$ " back from the center of the radiator mounting hole.

B. The top of the master cylinder bracket is located 1" below the top of the frame.

All welding should be performed by a qualified welder.

PLEASE NOTE: The above dimensions place the pedal assembly in the optimum position for use with our Model 'A' chassis and components. Minor changes may be required to find the best position on your chassis.



'32 FORD BRAKE PEDAL ASSEMBLY

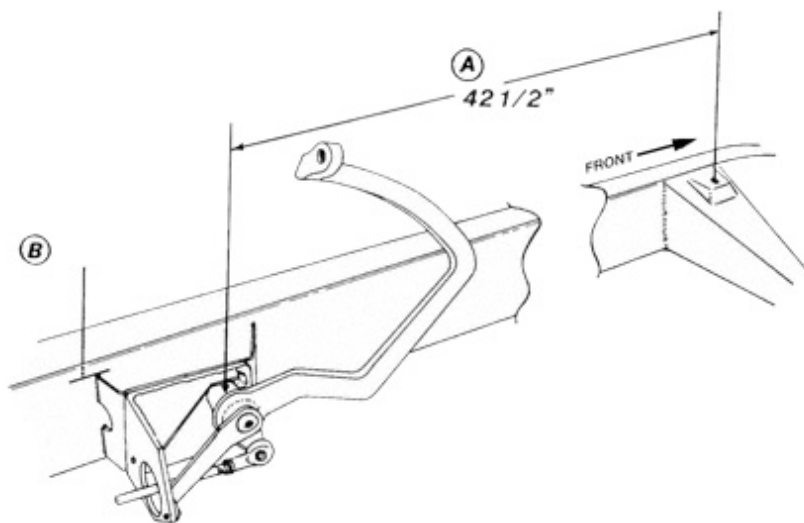
The '32 Ford brake pedal assembly is positioned as follows:

A. The center of the pedal pivot is positioned $42 \frac{1}{2}$ " back from the center of the radiator mounting hole.

B. The top of the mounting bracket is located parallel to and $1 \frac{1}{2}$ " below the top of the frame rail.

All welding should be performed by a qualified welder.

PLEASE NOTE: The above dimensions place the pedal assembly in the optimum position for use with our '32 chassis and components. Minor changes may be required to find the best position on your chassis.

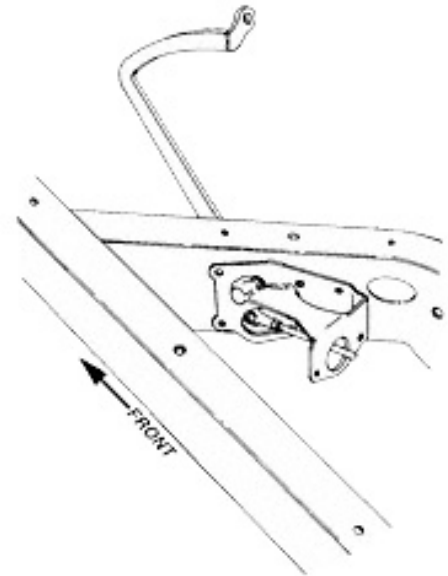
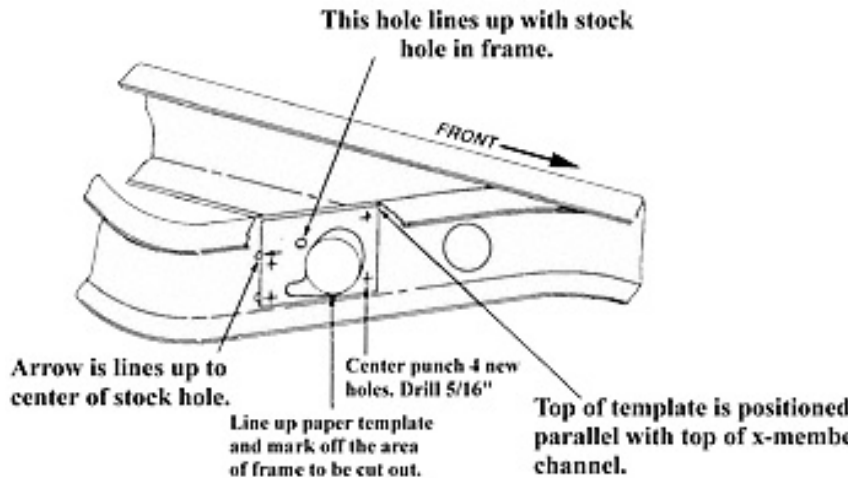


35-40 FORD FRAME MOUNT PEDAL ASSEMBLY

HEXPBA14

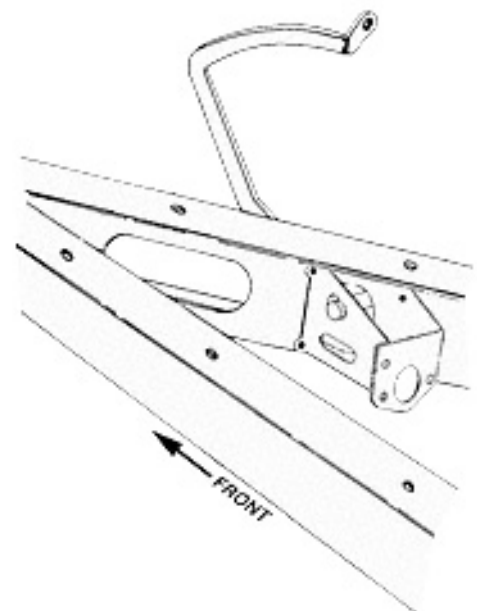
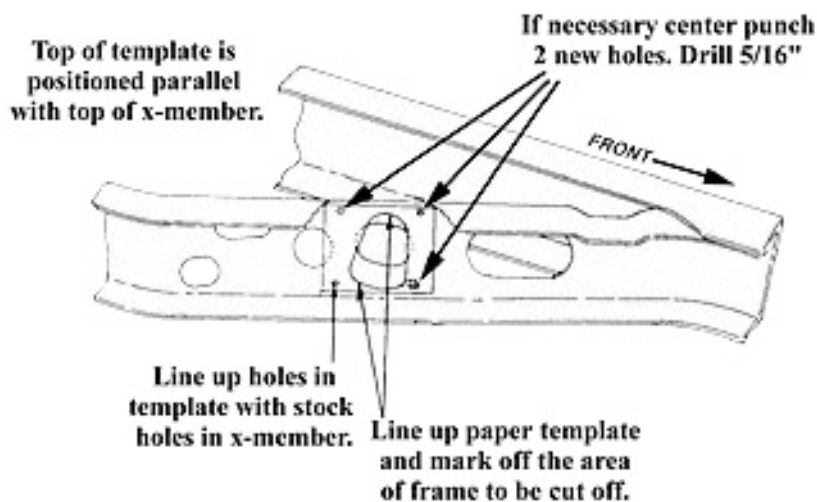
'33-'34 FORD BRAKE PEDAL ASSEMBLY

Mounting the '33-'34 Ford brake pedal assembly requires some minor cutting and redrilling. Using the template provided on the back of this sheet, and the instructions below, the pedal assembly is easily installed.



'35-'40 FORD BRAKE PEDAL ASSEMBLY

Mounting the '35-'40 Ford brake pedal assembly requires some minor cutting and redrilling. Using the template provided on the back of this sheet, and the instructions below, the pedal assembly is easily installed.



35-40 FORD FRAME MOUNT PEDAL ASSEMBLY

HEXPBA14

'42-'48 FORD BRAKE PEDAL ASSEMBLY

Mounting the '42-'48 Ford brake pedal assembly requires some minor cutting and redrilling. Using the template provided on the back of this sheet, and the instructions below, the pedal assembly is easily installed.

