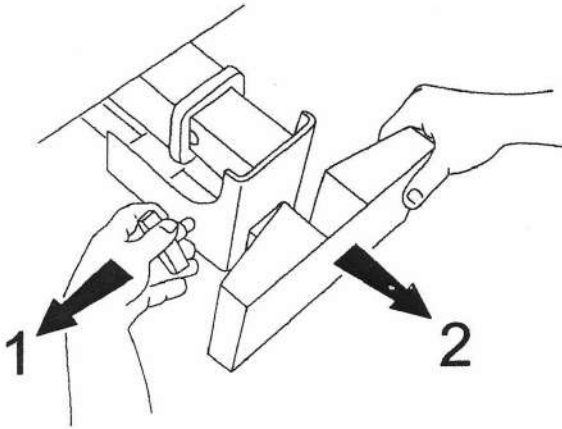
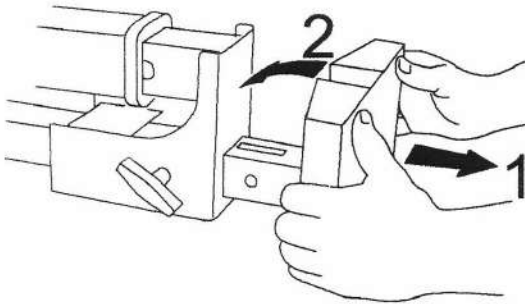


## To Use the TruckStep™

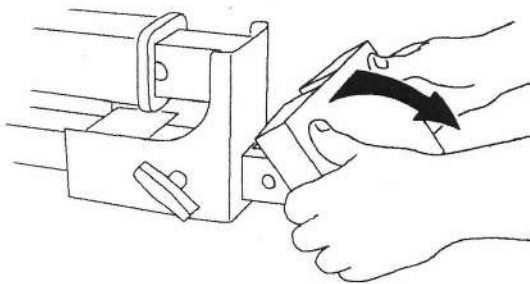
---



1. Pull out handle
2. Slide step plate away from vehicle.



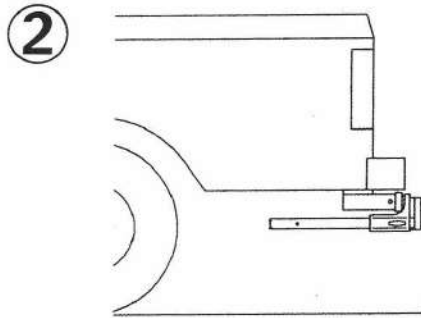
1. Pull slightly from bottom to release step plate.
2. Roll step towards vehicle



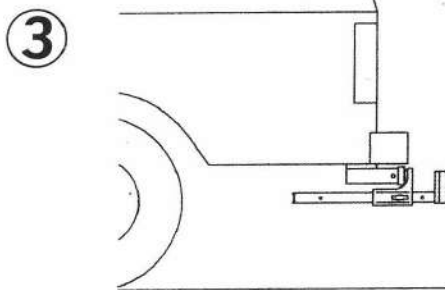
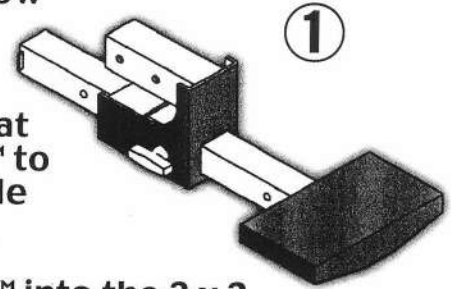
1. To store roll plate to vertical position, slide towards vehicle and lock.

## Installation Instructions

**HitchMate**

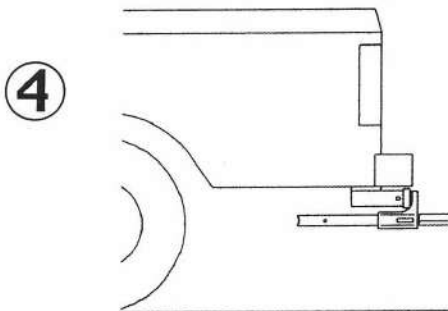


1. The TruckStep™ is designed with two mounting holes to allow adjustment in how it fits with your particular receiver hitch. Use the hole that allows the TruckStep™ to be closer to the vehicle whenever possible.

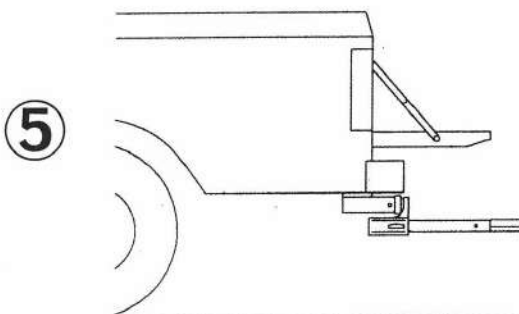


2. Slide the TruckStep™ into the 2 x 2 receiver and insert the QuickPin™ into place. Do not extend or use the TruckStep™ as a step when the vehicle is running or in motion.

3. To use the TruckStep™ as a step for reaching in close to the truck bed or SUV, extend the step out until it stops in the first extended position.



4. Lower the step into place and insure it is safely locked in position before stepping on the TruckStep™.



5. For use with the tailgate in the flat position, simply pull the handle and extend the step out until it stops in the fully extended position. To close, pull the handle and collapse the step into the stationary, upright position.

**Do not extend or use the TruckStep™ as a step when the vehicle is running or in motion.**