

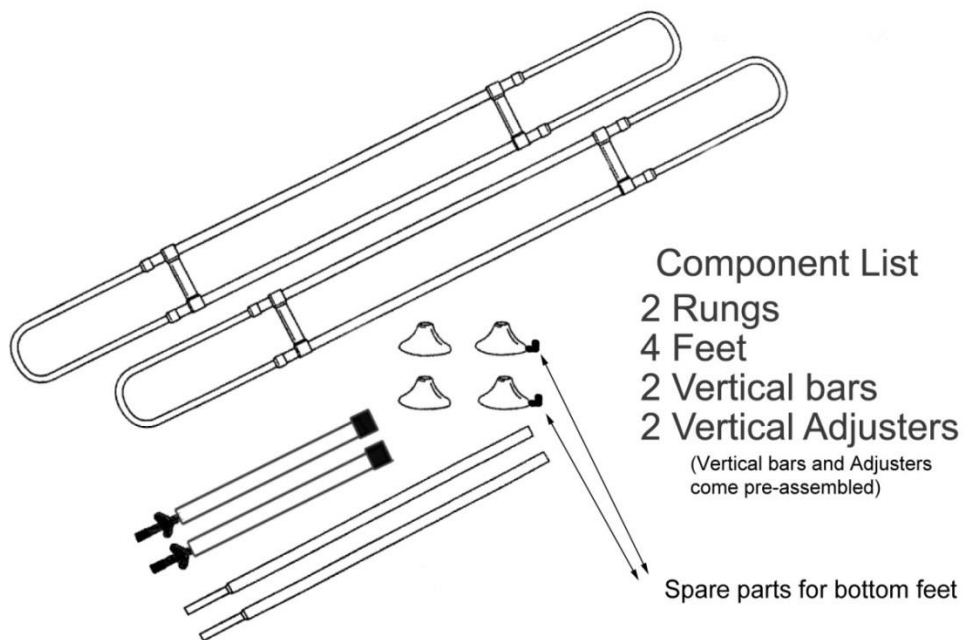


PortablePET™

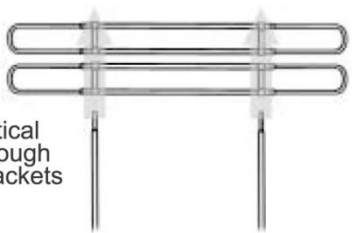
INSTRUCTIONS

BEFORE YOU BEGIN

The simplest way to make your Pet Partition perform at its best is to read the instructions. Follow these assembly recommendations, and use the product only for its intended use. Once you have opened the box, make sure all the components are enclosed.



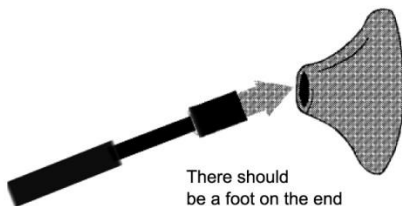
1



Insert vertical tubes, through plastic brackets

2

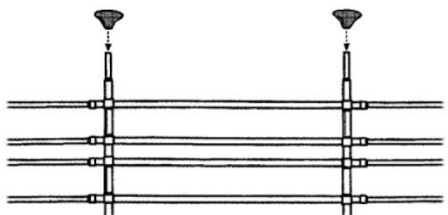
Insert the bottom of the vertical bar into the foot. Repeat with second vertical bar.



There should be a foot on the end of each vertical adjuster

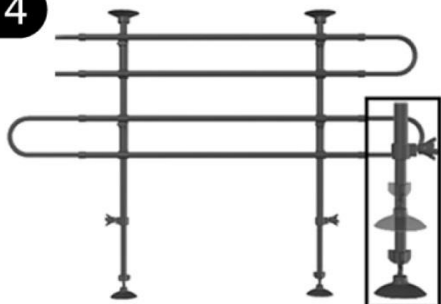
3

Install the 2 remaining feet to the top of the 2 vertical bars

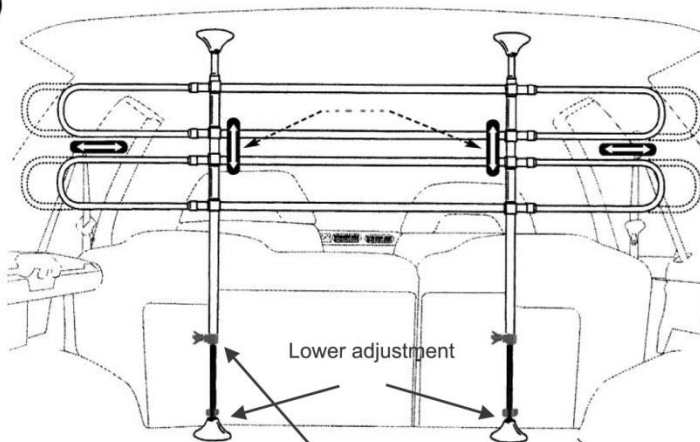


Center the Pet Partion in your vehicle as pictured below

4



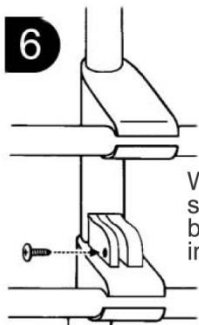
5



Make sure the rungs are level and spaced evenly apart.

Adjust the height of the Pet Partition by using the height adjustment knobs shown here. Once the Pet Partition is in place, secure it by adjusting the lower adjustment until it is firmly in place. (turn counter clockwise)

6



When the Pet Partition is centered and securely in place lock the rung position by tightening the phillips screw in the vertical plastic bracket. Tighten firmly.

Finished!

