



**Advantage**  
SportsRack®

# **Chase** Trunk/HatchBack 3-Bike Carrier Manual

## **BEFORE YOU BEGIN**

To ensure the best service and satisfaction from your Advantage SportsRack, please read and follow all instructions, recommendations, and warnings. Heininger Holdings, LLC is not responsible for damage or injury due to misuse of this product. Your purchase is greatly appreciated. Thank you. If you have any questions regarding the product, we always want to hear from you about our products and service.

### **VERIFY ALL PARTS ARE INCLUDED IN PACKAGE:**

#### Components List

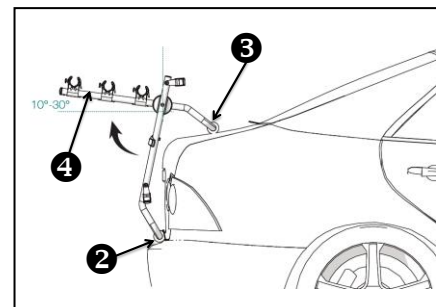
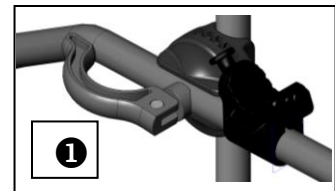
- 1 - Main chassis (completely assembled)
- 6 - Flexible straps
- 4 - Foam Pads
- 1 - Hex Key



**Advantage**  
SportsRack®

## Installation of the CHASE 3-Bike Carrier

- A. First clean the outside of your vehicle. This will avoid scratching the rack and your vehicle's finish.
- B. Release the two locking mechanisms (1) by loosening the levers (turn counter-clockwise.)
- C. Adjust the angle of the bike rack so that the bikes are as far as possible from your vehicle's bodywork. Make sure that the bottom (2) and top (3) feet are firmly against your vehicle. If your vehicle has a hatchback, the bottom foot (2) must be firmly against the bodywork and the top foot (3) must be positioned against the rear window. If your vehicle has a trunk, the bottom foot (2) and the top foot (3) must be firmly against the trunk lid or hatch.
- D. Adjust the arm to an angle of 10 to 30 degrees above the horizontal.
- E. Tighten the locking devices (1) by tightening the levers (turn clockwise.) Make sure that the teeth mesh correctly.
- F. Place the bike rack against the back of your vehicle and attach the hooks on the two top straps (5) to the top edge of the boot or hatchback\*.
- G. Fasten the bottom straps (7) to the bottom edge of the boot or hatchback.
- H. Fasten the side straps (6) in a correct position\* on the side of the boot, hatchback.

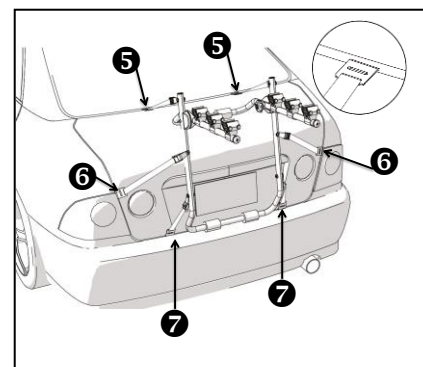


While installing the bike rack, repeatedly check that the rack is correctly centered on the rear of your vehicle and the straps are symmetrical.

**\* CAUTION: ALWAYS FASTEN THE STRAPS TO METAL EDGES ON YOUR VEHICLE (GENERALLY THE INSIDE OF THE TRUNK OR HATCHBACK). NEVER FASTEN THE STRAPS TO HATCHBACK WINDOWS, RUBBER/PLASTIC PARTS OR VEHICLE TRIM.**

- The straps must be as taut as possible and never twisted. Progressively tighten each strap alternately and equally. Make sure that the bike rack is centered and securely in place while doing so.

- Make sure that the rubber pads are in proper contact with your vehicle's bodywork.



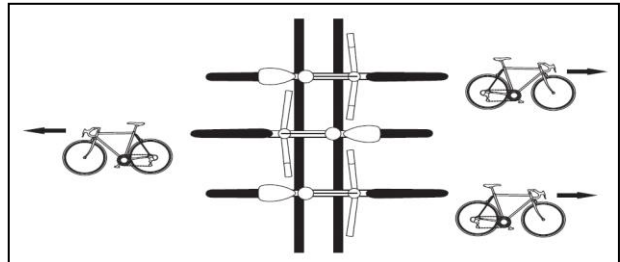


**Advantage**  
SportsRack®

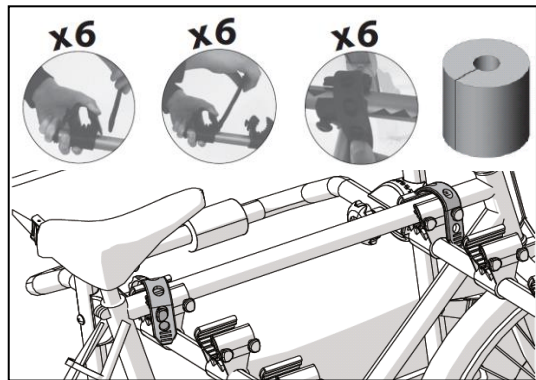
## How to use your Chase 3-Bike Carrier

### Loading bikes on the bike rack

- A. Load bikes in alternating directions on the plastic cradles so as to have the lowest possible center of gravity.

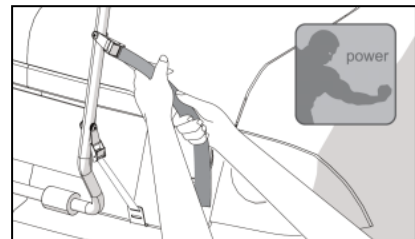


- B. Secure the bikes to the bike rack with the rubber straps. Make sure that the bikes are not in contact with your vehicle's bodywork. To prevent the bikes from rubbing against the bike rack, insert the split foam cushions.



- C. After loading bikes on the bike rack, retighten all the straps (5, 6, 7) and tie the excess lengths into tight knots at the bottoms of the loops to prevent them from flapping in the wind.

- D. Use the extra strap to secure bike tires/frames to the bike rack and prevent the bikes from swaying while on the road.



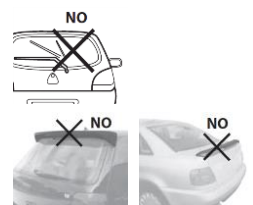
**WARNING: THE DRIVER OF THE VEHICLE IS RESPONSIBLE FOR PROPERLY SECURING THE LOAD BEING TRANSPORTED. FREQUENTLY CHECK THE BIKES AND BIKE CARRIER WHILE ON THE ROAD.**



**Advantage**  
SportsRack®

## When in USE

- Make sure that the bike rack is suitable for your vehicle and that the bike rack and bikes are properly and adequately secured to it.
- Make sure that the bike rack and straps do not come into contact with any aerodynamic devices (spoilers, wings, rear view camera).
- During long trips, frequently and regularly check the tightness of the fastening straps on the bike rack and make sure that the bikes are securely in place.
- The maximum capacity of this bike rack is 90 lbs/45 kg (3 bikes). Never exceed this capacity.
- Limit your maximum speed to 55 mph-90km/h.
- Your vehicle's number plate and taillights may be hidden by the bike rack. All taillights must meet current applicable regulations. Always follow highway rules.
- Bikes must be properly secured to the rack using the fasteners supplied.
- The bike rack may affect your vehicle's driving and handling behavior (sensitivity to side winds, behavior when negotiating corners and bends and during braking), particularly when it is loaded. Adjust your driving to these changes. We strongly advise you to slow down especially on corners and to bear in mind that braking distances may be longer.
- Place the heaviest bike onto the rack first (closest to your vehicle).



## Care, Caution and Maintenance

- Do not use your vehicle's rear windscreen wiper when the bike carrier is fitted.
- This bike carrier is not designed to be permanently installed on vehicles. Remove and thoroughly wash it when not in use.
- Remove the bike rack before entering an automatic car wash.
- Do not neglect the condition of this bike carrier. It is important to keep the bike rack in good condition.
- Remove all accessories from bikes (child seats, baskets, bags, water bottles) before placing them on the bike rack
- Make sure the vehicle engine is shut off before/during any loading or adjusting to the bikes and CHASE 3-Bike Carrier.
- Do not use the CHASE 3-Bike Carrier as a towing or anchoring device.
- Use the CHASE 3-Bike Carrier only for its intended use as described in this manual/literature.

