



# V-Rack

# Manual

## BEFORE YOU BEGIN

To ensure the best service and satisfaction from your Advantage® Sports Rack V-Rack, please read and follow all instructions, recommendations, and warnings. Heinger Holdings, LLC is not responsible for damage or injury due to misuse of the V-Rack product. And we always want to hear from you about our products and service.

### **VERIFY ALL PARTS ARE INCLUDED IN PACKAGE:**

#### V-Rack Contents List

- 1 - Completely assembled V-Rack, 2-Bike Carrier
- 4 - Rubber-like, straps to attach to the saddles holding the bikes in place
- 1 – Coiled, red security strap
- 1 – Storage/Carry bag

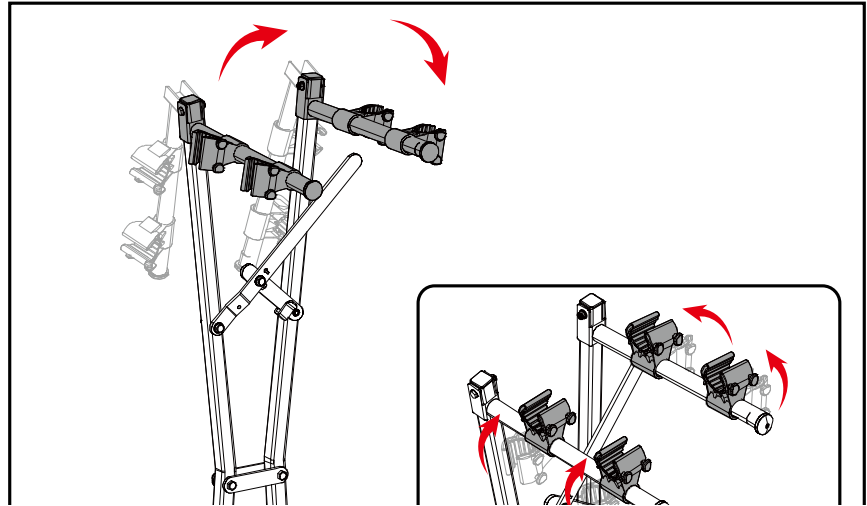
### **Installation of the V-Rack - Model: 1011**

The V-Rack is a very unique bike carrier. It is designed to clamp onto the 2" x 2" insert (sometimes referred to a "Stinger-Tube") that fits into the more common 2 x 2" receiver hitch. The clamping power or pressure is a lot. It needs to be this firm in order to stabilize the 2 bikes that you may want to carry. The weight limit must be 26 kg or 57 lbs. maximum.

You must first align the V-Rack with the 2" x 2" insert tube. It will need to have about 1½" of clamping space on the insert tube. There must be this much space for it to clamp on for proper use.

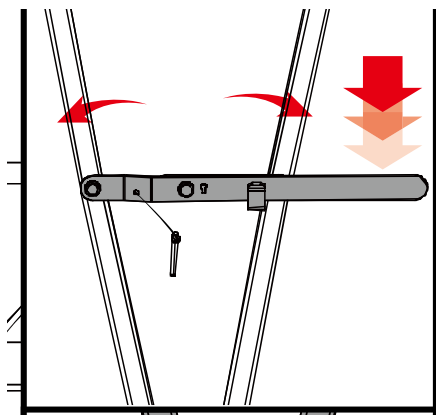


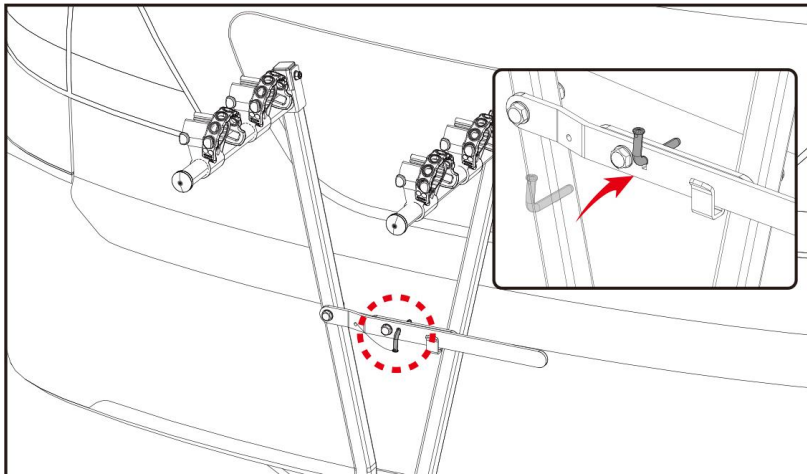
1. Flip the supporting arms to be horizontal, turn the cradles upward. Now slide the lower "jaws" of the V-Rack over the open area of the insert and



spread the top of the tubes away from each other so they nest on the 2 x 2 insert tube.

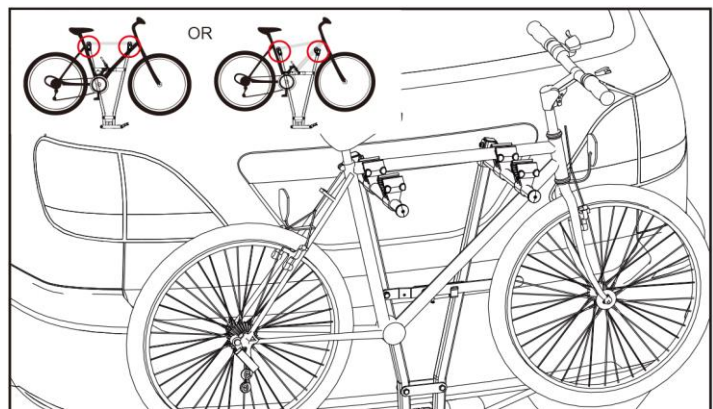
2. After you spread the tubes apart, press down the connection lever (blue). Now attach the straps (4) to the saddles. The rectangular end slips over the inside (nearest the vehicle)

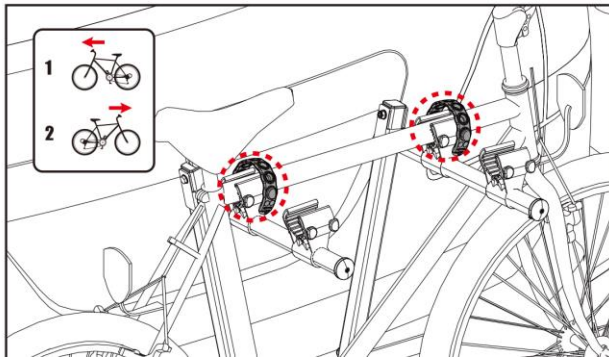




3. Insert the security pin, and turn 180 degrees. Then insert the bridge pin through the small hole in the pin.

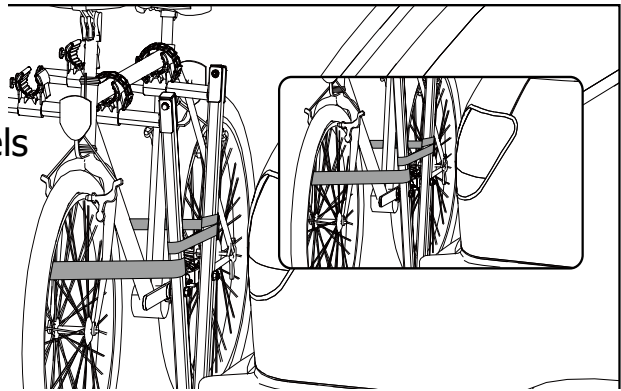
4. Mount bikes on the V-Rack carrier. Use either of the little mushrooms (R or L) to attach the loose end of the strap.





5. Load bikes alternatively and secure them by using rubber straps.

6. Pass the safety strap through wheels and frames to secure the bikes.



### **When in USE**

- Do not stand or ride on V-Rack while the vehicle is in motion.
- Ensure the vehicle engine is shut off before/during installing, loading/unloading V-Rack.
- Best practice: always stow V-Rack in its storage bag when not in use.
- Do not use V-Rack as a towing device.



## Spares & Replacements

Item/Product	Description
#1012 4pk	Replacement Straps
#1011-BAG	Replacement Storage bag for V-Rack
#6007 Tube	Stinger tube replacement (in the event you don't have a towing stinger-tube)
#6008 Converter	Converter/riser (converts from a 1¼" hitch to a 2 x 2 mounting tube)

## Care and Maintenance

- Wash the V-Rack after use. Dry and store in the bag provided.
- Please remember to remove and stow the V-Rack if you drive through an automated car wash.
- Routine lubrication of V-Rack is highly recommended. Use 3-In-One® Oil generously and often.



[View other bike racks made by Heininger on our website.](#)