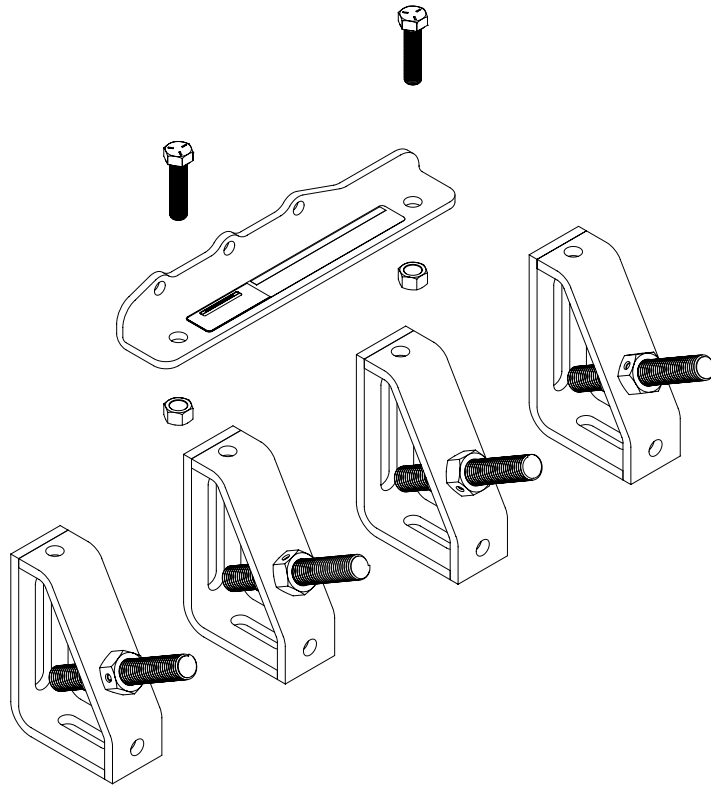




Fuller Transmission Adapter

Manual

Model Number
HW93248



This is the safety alert symbol. It is used to alert you to potential personal injury hazards. Obey all safety messages that follow this symbol to avoid possible injury or death.

Read this manual and follow all the Safety Rules and Operating Instructions before using this product


SAFETY AND GENERAL INFORMATION

Save these instructions. For your safety, read, understand, and follow the information provided with and on this product before using. The owner and/or operator of this equipment shall have an understanding of this equipment and safe operating procedures before attempting to use. The owner and/or operator shall be aware that use and repair of this product may require special skills and knowledge. Instructions and safety information shall be conveyed in the operator's native language before use of this product is authorized. If any doubt exists as to the safe and proper use of this product, remove from service immediately.

Inspect before each use. Do not use if there are broken, bent, cracked or otherwise damaged parts (including labels). If the blocks have been or suspected to have been subjected to a shock load (a load dropped suddenly and unexpectedly upon it), discontinue use until checked out by an authorized factory service center. Owners and operators of this equipment shall be aware that the use of this equipment may require special training and knowledge. It is recommended that an annual inspection be done by qualified personnel and that any missing or damaged parts, decals, warning/safety labels or signs be replaced with factory authorized replacement parts only. Any press that appears to be damaged in any way, is worn or operates abnormally shall be removed from service immediately. Labels and Manual are available from manufacturer.

PRODUCT DESCRIPTION

The Fuller Transmission Adapter is designed to be used, in conjunction with the Hein-Werner HW93718, to facilitate removal and installation of Fuller Road Ranger Transmissions with the PTO.

 **WARNING:** *To reduce the risk of personal injury and/or property damage, ensure that fasteners and attachments are properly adjusted and tightend prior to lifting or supporting a transmission with this equipment.*

This kit includes:

- Four (4) wedges
- One (1) Fuller Transmission Adapter
- Two (2) 1/2-20 x 1-1/8 Hex Head Bolts
- Two (2) 1/2-20 Hex Nuts
- Four (4) Adjustable Support Rod Assemblies
- One Owner's Manual (this document)

WARNING

- Read and understand all information contained in this Operation Manual before use.
- Before use, verify adapter is not damaged. All surfaces should not be bent, cracked or misaligned. If damaged, discontinue use of adapter.
- Assure load is secured to the device.
- Never exceed rated capacity nor leave loaded transmission jack unattended.
- Do not use in conjunction with equipment or accessories that are not approved by the manufacturer.
- No alterations shall be made to this product.
- Failure to heed these markings may result in personal injury and/or property damage.

BEFORE USE

1. Inspect before each use. Do not use if bent, broken or cracked components are noted. Check for broken welds and misalignment.
2. Before using this product, read the operator's manual completely and familiarize yourself thoroughly with the product, its components and recognize the potential hazards associated with its use.

OPERATION

⚠ WARNING: Use only manufacturer provided attachments and accessories. Ensure all attachments are properly secured. When using bearing punches and other adapters, center the load on the workpiece.

1. Using hardware included in kit, attach two (2) supplied wedges to the Fuller Transmission Adapter.
2. Using transmission hardware, attach the adapter to transmission housing as shown in Figure 1.

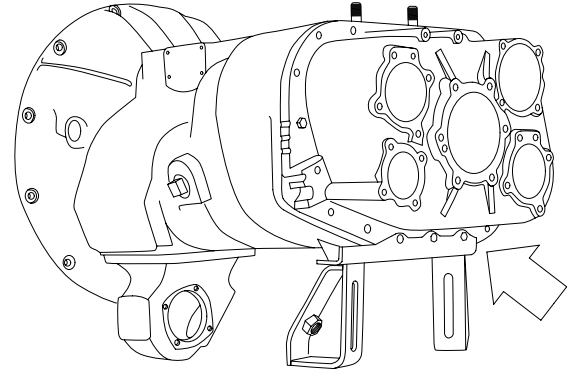


Figure 1

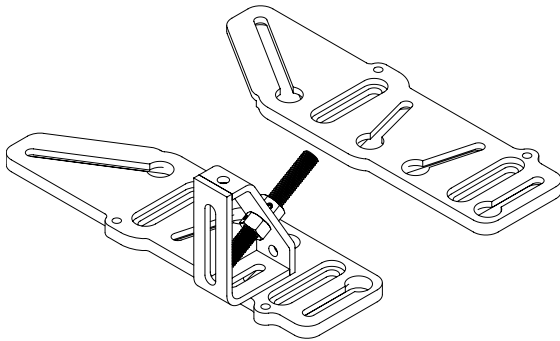


Figure 2

3. Using hardware included with HW93718, loosely attach third wedge, with adjustable support rod, to transmission jack lifting plate as shown in Figure 2.

4. Raise transmission jack platform to contact wedges, adjust support rod on third wedge as necessary, and attach wedges to plate as shown in Figure 3. Tighten all fasteners. Transmission and PTO may now be removed from truck.

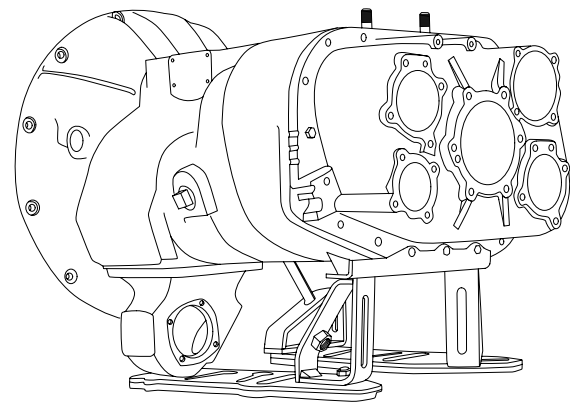


Figure 3