



PART # 69420, 69426 & 69428 INSTRUCTION SHEET AMC JEEP 1965-71 CJ-5 & CJ-6 4WD BUICK V6 231 CUBIC INCH

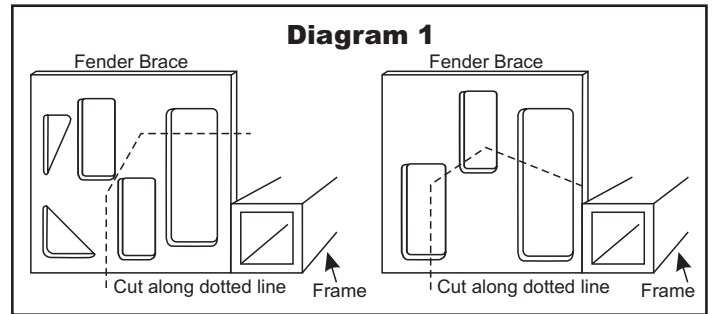
CAUTION! This is a custom designed exhaust header system, designed for this particular application (s). Do not bend, bang, cut, dent, drill or heat any portion of this header! Any alteration other than those suggested in this instruction sheet will void the Hedman Lifetime Guarantee!
To prevent leaks, install your headers using Hedman Heddgers exhaust gaskets ONLY and a spray copper gasket sealant.

BEFORE STARTING INSTALLATION:

It is necessary to raise the vehicle at least 36 inches from the ground. A floor hoist is recommended, if not available, use a hydraulic floor jack with jack stands. **DO NOT USE A BUMPER JACK!**

INSTALLATION INSTRUCTIONS:

1. Disconnect the positive battery cable and remove all spark plugs (Number wires).
2. Remove the wiring harness and set aside to protect while cutting the fender brace.
3. Determine which fender brace drawing in diagram 1 matches the one on the jeep. Mark and cut as shown.
4. Place the Jeep on jackstands for easy access to the collector flange.
5. Unbolt the existing exhaust manifold from the heads and the rest of the exhaust system. Remove them from the engine compartment.
6. While the manifolds are out, inspect the condition of the motor mounts. Should they need replacement, this would be an excellent time to change them.
7. Installing one side at a time, drop a header in with a gasket in position. Finger tighten the most restricted header bolts first, then place the rest of the bolts. Progressively tighten all header bolts to spec.
8. After tightening the last of the header bolts, inspect all points for clearance.
9. Bolt the reducer adapters and the gaskets to the collectors.
10. Connect headers to the rest of the exhaust system by clamping or welding the exhaust pipes to the reducer adapters.
11. Reinstall the spark plugs. (Your new headers will dissipate more heat than the stock pipes. We recommend using a protective sleeve over your plug wire boot. Trans-Dapt Performance Products offers a fiberglass fabric sleeve resistant to 1200° F., they look good too. Ask for them at your local dealer).
12. Lower the Jeep from the jackstands.
13. Re connect the positive battery cable.
14. Start engine, test drive vehicle, allowing engine to gain normal operation temperature. Check for leaks and new or unusual noises. After test drive, re-tighten all header bolts and fasteners.



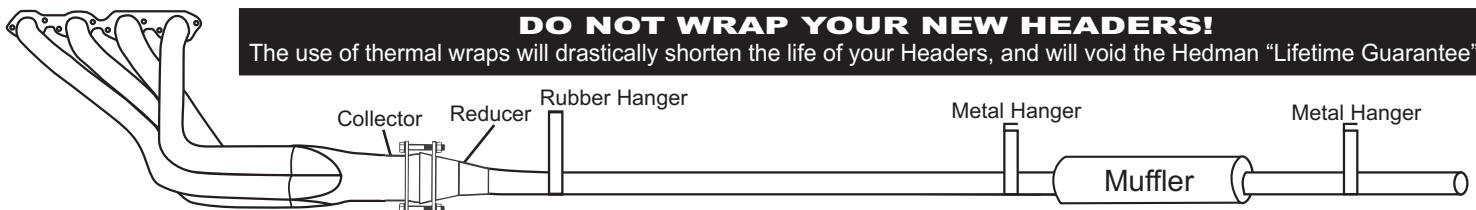
ENJOY YOUR HEADERS WHILE COMBINING INCREASED FUEL ECONOMY WITH BETTER PERFORMANCE.

SPECIAL INSTRUCTIONS!

After installing your headers it is very important that your exhaust system be suspended properly. As indicated in the drawing below you must place hangers as close to the header collector as possible. Rubber hangers should be used to allow the front of the system to flex with the engine torque. A hanger is needed before and after the muffler (s). When your exhaust system is unbolted from the header collector, it should remain suspended all by itself. Your Headers Are Not designed to support your exhaust system. Failure to follow these instructions will most likely result in cracks around the area where your primary tubes and collector are welded together, and will nullify your "Lifetime Guarantee".

DO NOT WRAP YOUR NEW HEADERS!

The use of thermal wraps will drastically shorten the life of your Headers, and will void the Hedman "Lifetime Guarantee".



WARNING: Not applicable or intended for street or highway use. Legal only for racing vehicles which may never be used upon a public highway.