



Owner's Manual

Havis Universal Cradles

Related Products

Havis offers a wide variety of accessory products for use with the UT-1000 & UT-2000 Series Universal Cradles.



LPS-211

Power Supply Mounting Bracket

Mount a power supply directly to your Universal Cradle with this versatile bracket.



DS-DA-421

Screen Support

Secure your laptop screen to prevent excess wear and reduce vibration while in use.

For use with UT-1000 Universal Cradles only.



DS-DA-218

Desktop Stand

Durable stand for mounting Havis Universal Cradles in the home or office.



DS-DA-503

Replacement Keys

Set of two (2) replacement keys for the Havis Universal Cradle.

UT-1000 Series



UT-2000 Series



Havis is pleased to provide this Owner’s Manual to aid in the proper installation and use of the Universal Cradles.

This Owner’s Manual applies to the following Part Numbers:
 UT-1000 Series
 UT-2000 Series

⚠️ WARNING

- NEVER STOW OR MOUNT THE HAVIS UNIVERSAL CRADLE DIRECTLY IN A VEHICLE AIRBAG DEPLOYMENT ZONE.
- DO NOT USE COMPUTER WHILE DRIVING.

⚠️ CAUTION

- READ ALL INSTRUCTIONS THOROUGHLY BEFORE BEGINNING INSTALLATION.

Table of Contents

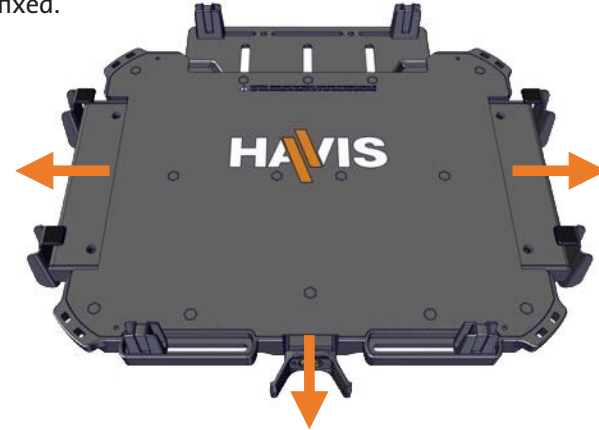
Specifications 2
 Parts Included 3
 Configuration 4
 Installation 9
 Cable Management 10
 Operation 11

Specifications

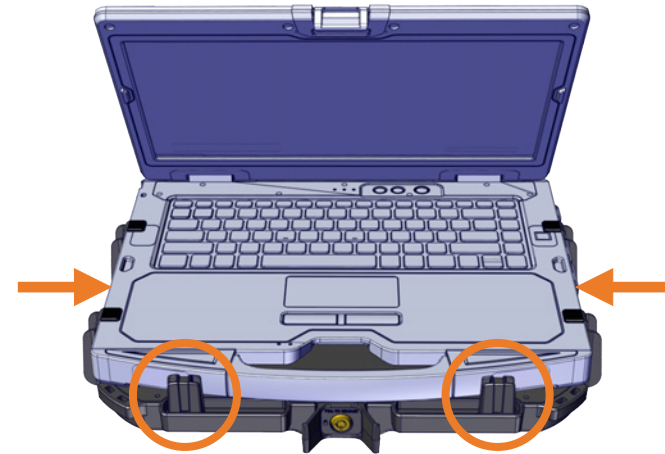
UT-1001 Dimensions (Base Model Universal Cradle)	
Overall Dimensions	13.47" (34.21 cm) W x 11.30" (28.70 cm) D x 2.14" (5.43 cm) H
Weight	3.72 lbs (1.69 kg)
Compatible Computer Dimensions	
Width	11.43" (29.0 cm) to 14.23" (36.1 cm)
Depth	9.27" (23.5 cm) to 11.02" (27.9 cm)
Height	0.66" (1.7 cm) to 1.86" (4.7 cm)

UT-2001 Dimensions (Base Model Universal Cradle)	
Overall Dimensions	10.41" (26.44 cm) W x 8.39" (21.31 cm) D x 2.31" (5.87 cm) H
Weight	2.38 lbs (1.08 kg)
Compatible Computer Dimensions	
Width	9.30" (23.6 cm) to 11.24" (28.5 cm)
Depth	6.83" (17.3 cm) to 8.13" (20.79 cm)
Height	0.55" (1.4 cm) to 0.93" (2.4 cm)

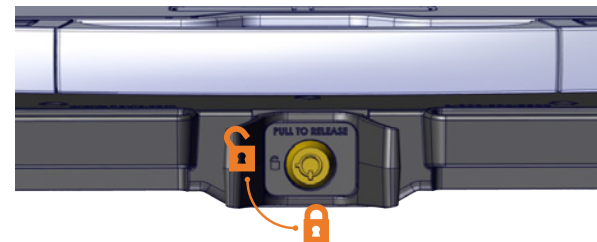
- 1) Before placing your computer into your Universal Cradle, and before taking your computer out of your Universal Cradle, unlatch by pulling out the Latch Handle, extending each of the two Side Trays. The Rear Tray should remain fixed.



- 2) Place computer in center of unlatched Universal Cradle, ensuring the device is touching both Front Fences as well as the Rear Fence, then push inward on both Side Trays until a click is heard.

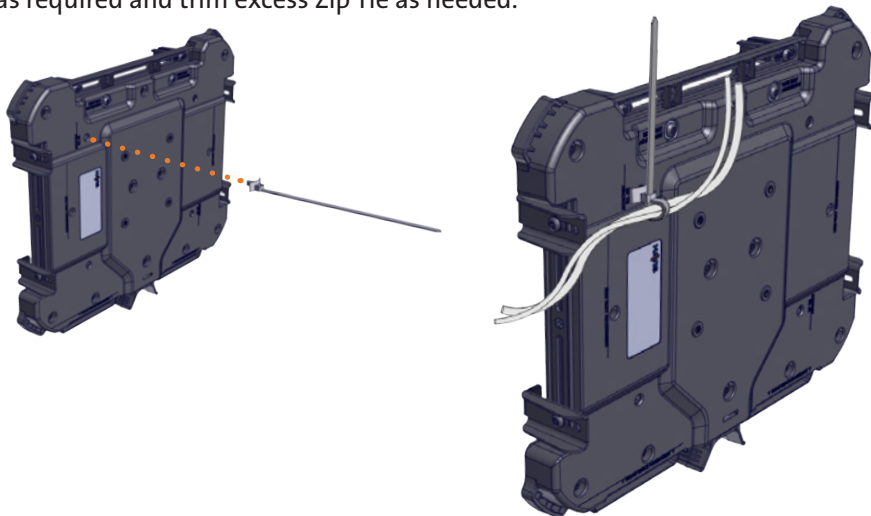


- 3) For theft deterrence, secure computer by locking the Universal Cradle with the supplied Key (Hardware Kit Item #6).

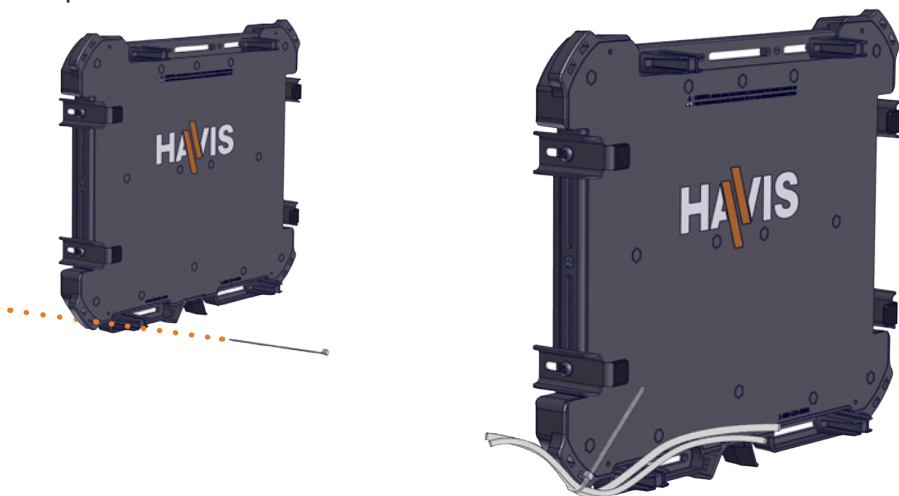


Cable Management

- 1) If it is necessary to strain relieve wires/cables, insert Integrated Zip Ties (Hardware Kit Item #2) into any of the Strain Relief Holes on the bottom of the Universal Cradle. Loop and tighten Zip Tie around wires/cables as required and trim excess Zip Tie as needed.



- 2) Additional Strain Relief Holes have been provided on each of the four corners of the Universal Cradle. If necessary, use these holes along with the provided Zip Ties (Hardware Kit Item #1) to strain relieve wires/cables. Loop and tighten Zip Tie around wires/cables as required and trim excess Zip Tie as needed.

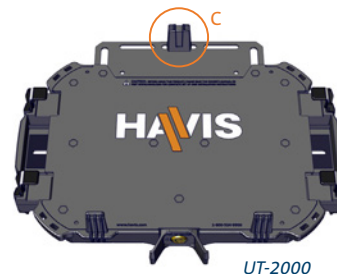
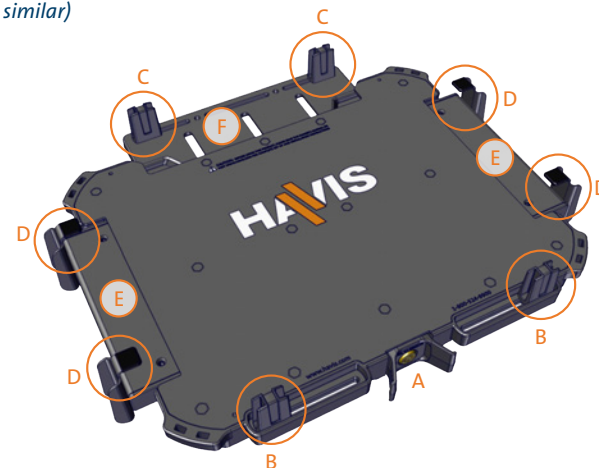


Parts Included

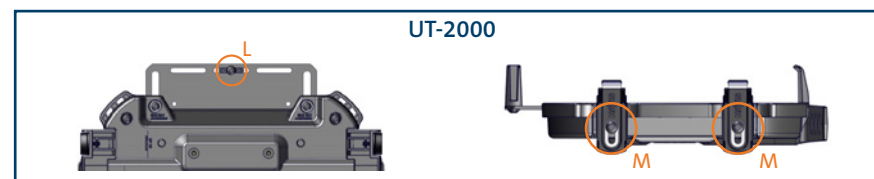
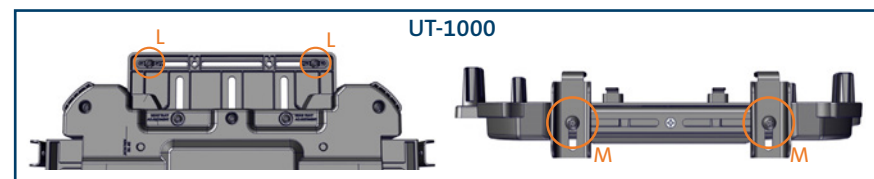
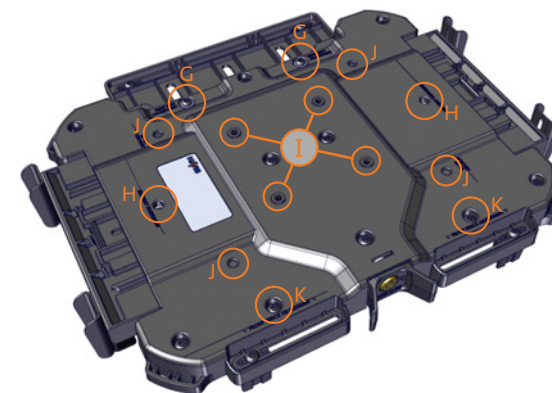
Universal Cradle

(UT-1000 Series shown, UT-2000 Series similar)

Top View	
A	Latch Release Handle/Lock
B	Front Fences (x2)
C	Rear Fence(s) UT-1000 (x2), UT-2000 (x1)
D	Side Hold-down Lugs (x4)
E	Side Trays (x2)
F	Rear Tray



Bottom View	
G	Rear Tray Adjustment Screws (x2)
H	Side Tray Adjustment Screws (x2)
I	Mounting Holes (VESA 75mm, 4x M4)
J	Strain Relief Holes (x4)
K	Front Fence Adjustment Screws (x2) UT-1000 Only
L	Rear Fence Adjustment Screw(s) UT-1000 (x2), UT-2000 (x1)
M	Side Hold-down Lug Adjustment Screws (x4)



Parts Included (continued)

Hardware Kit

This Hardware Kit includes:

1. Zip Ties (2)
2. Integrated Zip Ties (4)
3. Pan Head Screws, M4 x 0.7 x 12mm long (5)
4. Washers, M4 (5)
5. Lock Washers (5)
6. L-shaped Wrench (1)
7. Keys (2)



Configuration

NOTICE

THE INFORMATION IN THIS MANUAL APPLIES TO ALL HAVIS UNIVERSAL CRADLE PRODUCTS. IF YOU HAVE A DERIVATIVE PRODUCT, FIRST FOLLOW THE INSTRUCTIONS INCLUDED WITH YOUR SPECIFIC KIT, THEN PROCEED WITH THE CONFIGURATION, INSTALLATION, AND OPERATION INSTRUCTIONS IN THIS MANUAL.

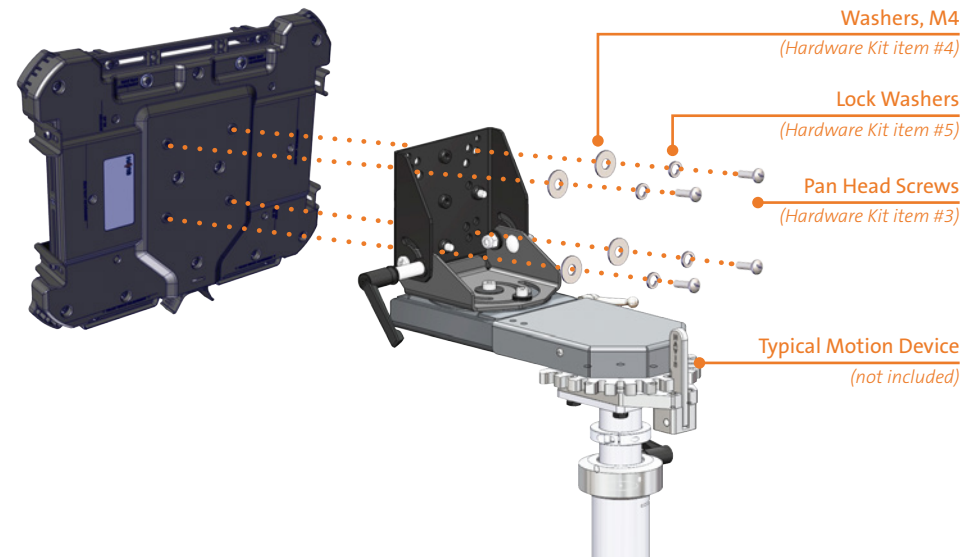
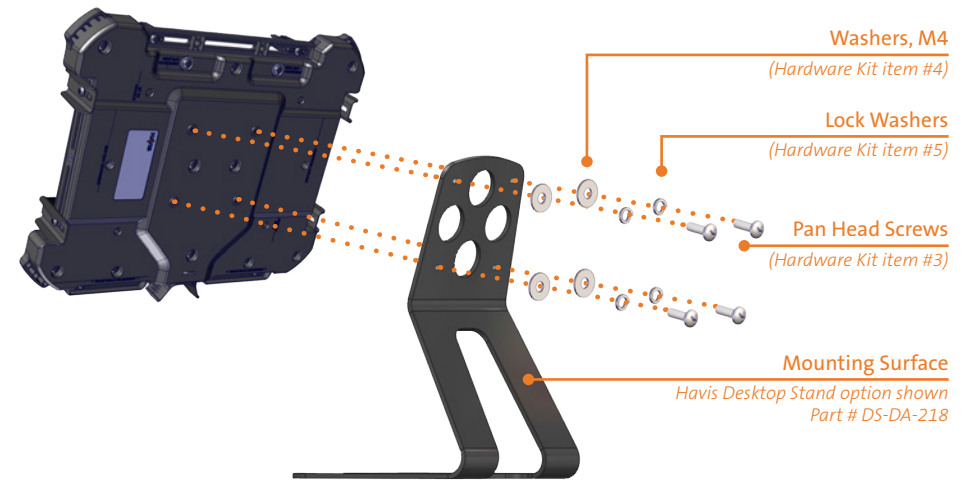
- 1) Ensure the Universal Cradle is latched by pushing inward on both Side Trays. Trays should be up against top surface as shown.



Installation

The Universal Cradles use a VESA 75mm hole pattern for mounting.

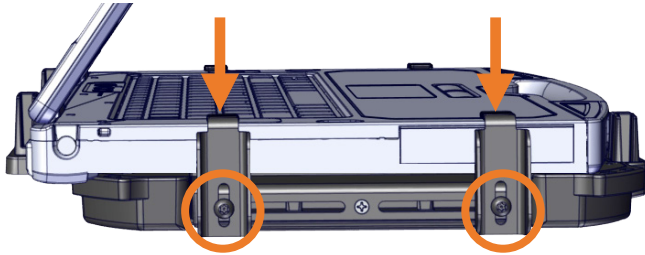
- 1) Align the four holes on the mounting surface with the four Mounting Holes on the bottom of the Universal Cradle. Secure Universal Cradle to the mounting surface using four Pan Head Screws (Hardware Kit Item #3). Torque screws to 36 in-lbs (0.4 Nm) \pm 10%.



Configuration (continued)

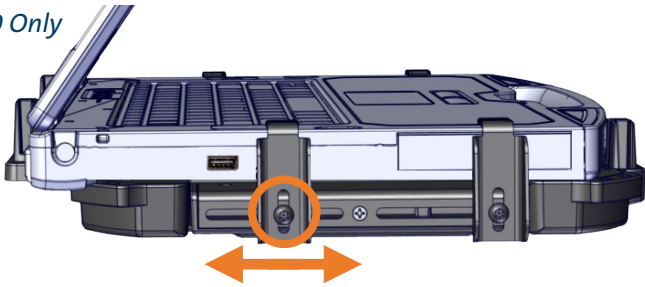
- Carefully flip the Universal Cradle & computer over and adjust the four (4) Side Hold-Down Lugs vertically until firm contact is achieved with computer.

NOTE: To verify proper set-up, pull Latch Handle to ensure Side Trays release fully. If they do not, too much downward pressure was exerted during adjustment. Loosen and re-adjust as needed.



- If required to prevent blocking a crucial port or control, the Front, Side, and/or Rear Fences can be adjusted along the length of the computer. Loosen Fence Adjustment Screw and slide Fence laterally. For UT-2000 Series Universal Cradles, ONLY the Rear Fence can be adjusted. To move the Rear Fence to one of the other slots, remove the Rear Fence Adjustment Screw and move the Rear Fence to one of the outer slots. Retighten Fence Adjustment Screw(s). Torque screws to 22 in-lbs (0.25 Nm) \pm 10%.

UT-1000 Only



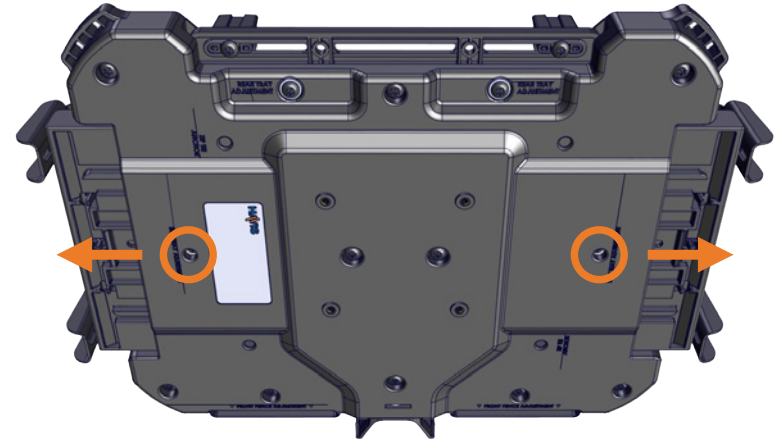
UT-1000 & UT-2000



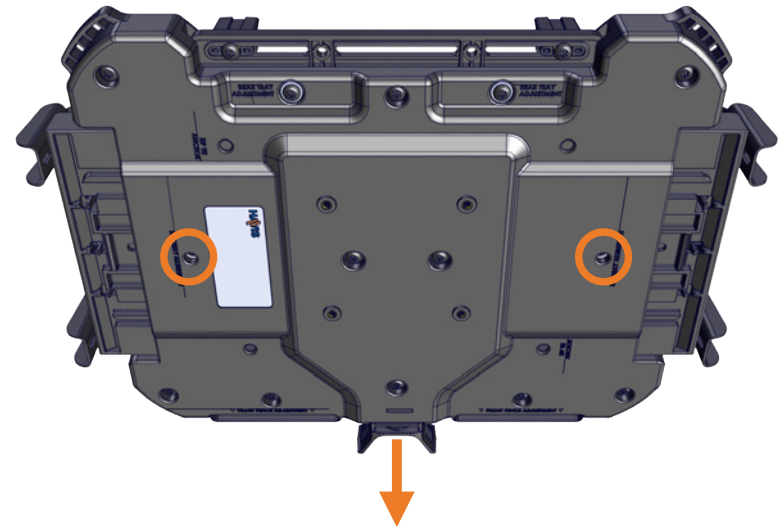
- If you change computer model or add a protective cover for your tablet, you will need to reconfigure your Universal Cradle by following the Configuration instructions starting on Page 4 of this Owner's Manual.

Configuration (continued)

- Turn the Universal Cradle over and loosen both Side Tray Adjustment Screws and fully extend both Side Trays.

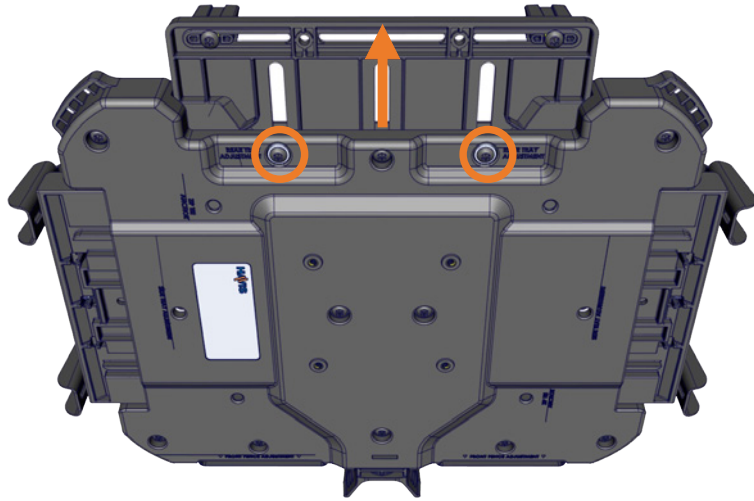


- Retighten both Side Tray Adjustment Screws and unlatch the Side Trays by pulling out the Release Handle. The Side Trays are spring-loaded and should extend fully.

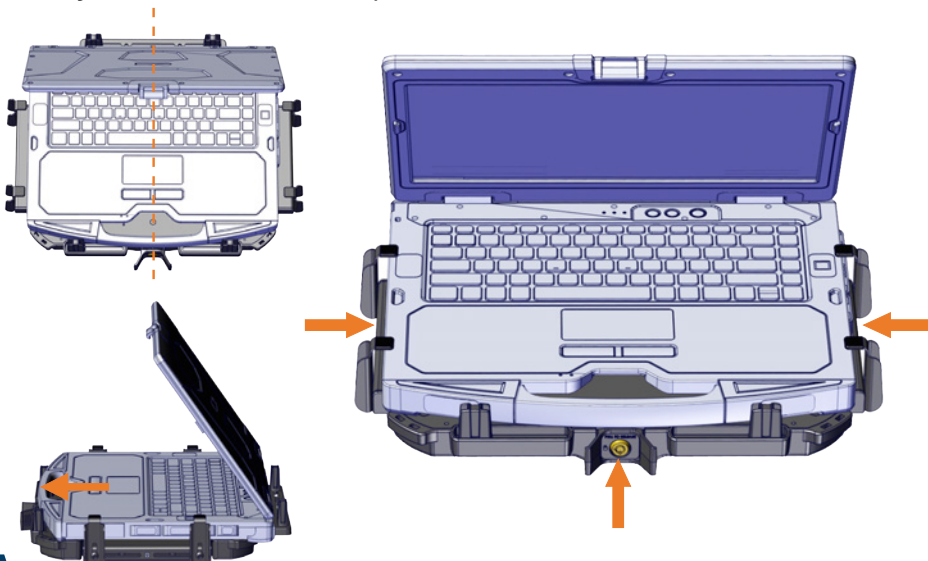


Configuration (continued)

- Loosen both Rear Tray Adjustment Screws and fully extend the Rear Tray. **(DO NOT REMOVE SCREWS)**



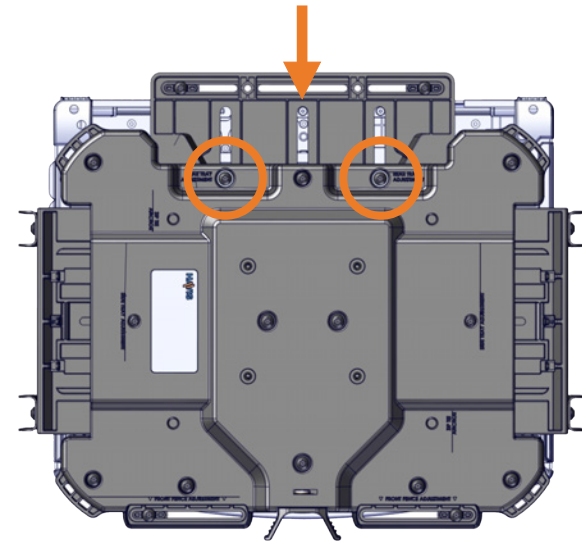
- Before fitting your tablet or laptop on the Universal Cradle, make sure you turn the computer's power off and remove any connected cords or peripherals.
- If mounting a laptop, place in the center of Universal Cradle and open the screen. If mounting a tablet, choose the best orientation to prevent Front Fences and Side Hold-down Lugs from blocking access to crucial ports or controls. Next, ensure your computer is in contact with both Front Fences and centered on the tray. Latch both Side Trays by pushing in until a click is heard and the Side Trays maintain their latched position.



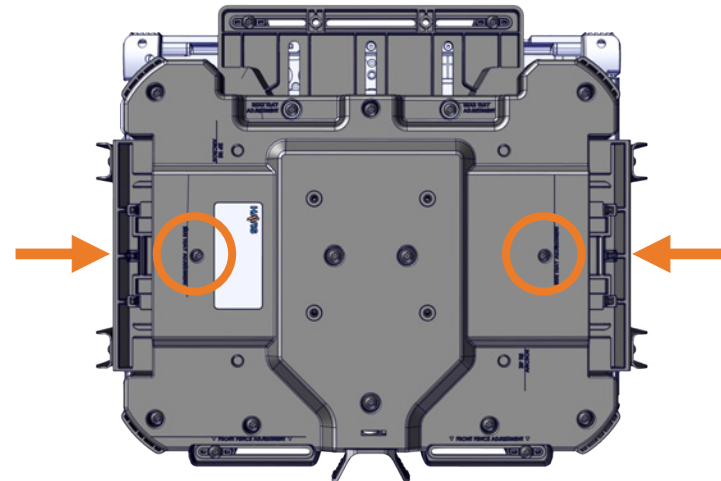
6

Configuration (continued)

- While holding computer in position, carefully flip the Universal Cradle over and adjust the Rear Tray inward until the Rear Fence(s) contacts the computer. Ensure contact is maintained with Front Fences. Retighten Rear Tray Adjustment Screws. Torque screws to 22 in-lbs (0.25 Nm) \pm 10%.



- Loosen Side Tray Adjustment Screws and push in the Side Trays equally until contacting both sides of computer. Retighten Side Tray Adjustment Screws. Torque screws to 22 in-lbs (0.25 Nm) \pm 10%.



7