

# Havis Heavy Duty Passenger Side Mounts

## General Installation Instructions

### Required tools to complete installation.

- Large Metric Socket Set (1/2" drive)
- Small Metric and US Standard Socket Set (1/4" drive)
- 7/8" Wrench
- 1/2" Wrench
- 7/16" Wrench
- US Standard Allen Wrench Set
- Phillips head Screwdriver

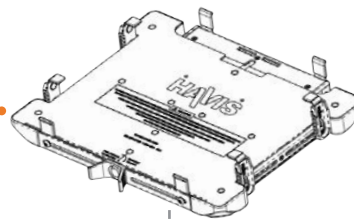


Complete assembly in vehicle (2010 Ford Focus)

### Required parts to complete assembly

#### Docking Station

(UT-X shown)



A

#### Motion Device

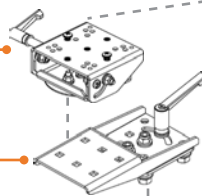
C-MD-202

#### Top Offset Platform

C-HDM-300 Series (C-HDM-303 shown)

#### Adaptor Plate

C-HDM-301 (included with Top Offset Platform)

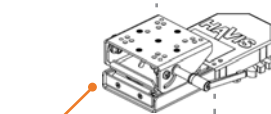


OR

B

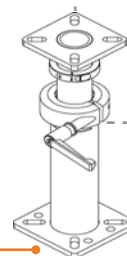
#### Slide Out Locking Swing Arm with Motion Adapter

C-MD-112



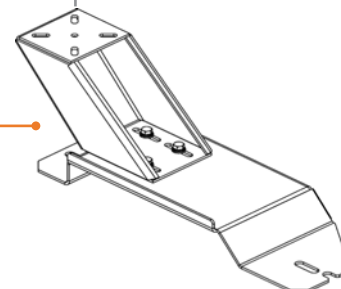
#### Pole Mount

C-HDM-200 Series (C-HDM-202 shown)



#### HDM Base & Offset Bracket

C-HDM-100 Series (C-HDM-118 shown)



### Optional parts for assembly



#### ChargeGuard®

CG-X



#### Power Supply

LPS-100/200 Series

#### Support Arm

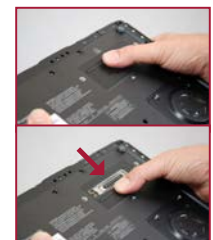
C-HDM-401

### For installation of Havis products, ALWAYS...

- Read all instructions before installing any Havis, Inc. Products.
- Check for obstructions (wire, brake lines, fuel tank, etc.)
- Use hardware provided with install kit

#### CAUTION

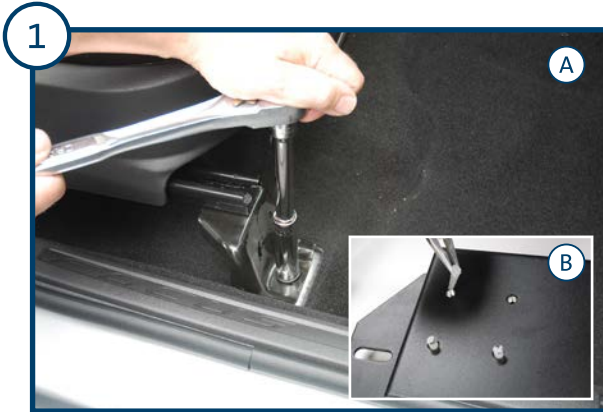
DO NOT MATE COMPUTER TO DOCKING STATION UNLESS COMPUTER'S DOCKING CONNECTOR ACCESS DOOR IS FULLY OPEN OR DAMAGE MAY RESULT.



# Havis Heavy Duty Passenger Side Mounts

## General Installation Instructions

2010 Ford Focus used for instructions



A) Remove the plastic caps that cover the seat bolts. Remove the OEM seat bolts, seat nuts and seat studs, making sure to keep the seat bolts for HDM Base installation (Step 3).  
B) Remove all rubber thread protectors from the mounting holes on the HDM Base.

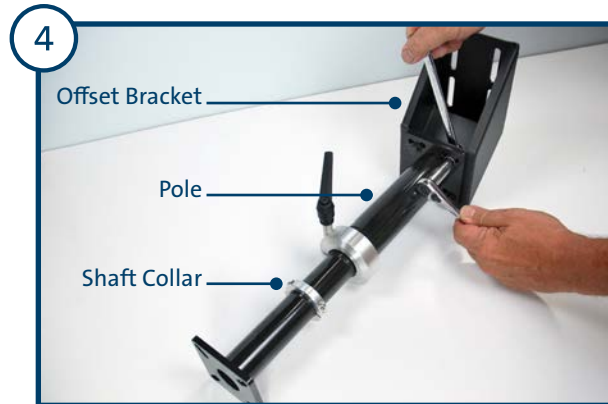


Lift the seat to place the HDM Base between the seat brackets and the floor.  
**NOTE:** Loosening rear seat bolts may be required for ease of installation.



Align the HDM Base mounting holes to seat bolt locations and loosely attach the seat bolts. Use caution to avoid stripping the threads. Fully tighten the bolts once HDM Base is properly in place.

**NOTE:** Some HDM Bases mount under the vehicle seat bracket and reuse OEM seat bolts (A), while other HDM Bases mount over the top of vehicle seat bracket and use provided spacers and bolts (B).



On the workbench, assemble the Offset Bracket and Pole using supplied 5/16" x 1" hex bolts, lock washers, and nuts (x4). Make sure all hardware is fully tightened. Attach the shaft collar anywhere on the inner pole, making sure to leave the shaft collar loose in order to adjust Pole height once installed in vehicle (Step 12).



Attach the assembled Offset Bracket and Pole to the HDM Base inside the vehicle, using supplied 5/16" x 3/4" hex bolts, lock washers, and flat washers. Make sure to adjust Offset Bracket to desired position before all hardware is fully tightened.

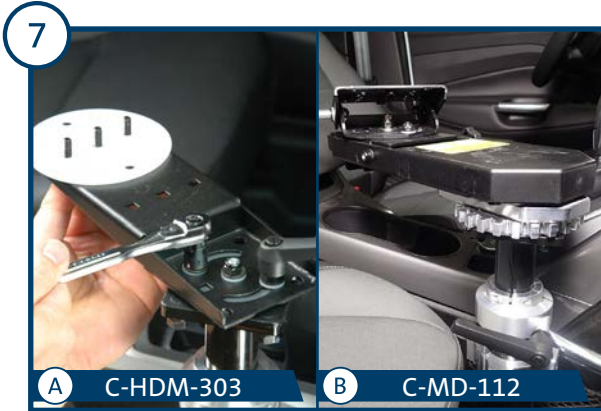
**NOTE:** If your application needs to be closer to center of vehicle, see optional C-HMD-409 Offset Plate.



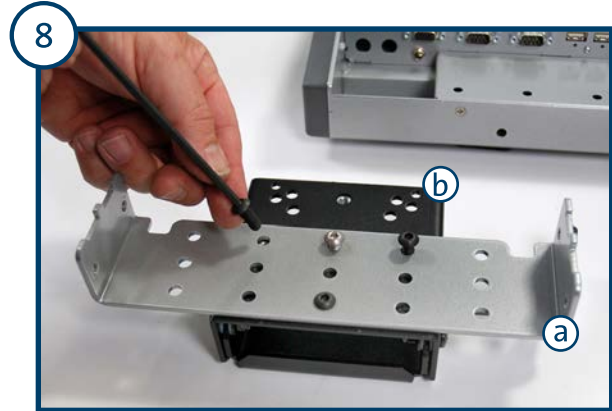
A) Align the Adaptor Plate mounting studs to the top of the inner pole, then attach using the supplied 5/16" lock washers, flat washers, and nuts. Place the large plastic washer on top of Adaptor Plate.  
B) Align Swing Arm with Motion Device mounting holes to the top of the inner pole, then attach using 1/4" lock washers, flat washers, and bolts.  
**NOTE:** Make sure all hardware is fully tightened.

# Havis Heavy Duty Passenger Side Mounts General Installation Instructions

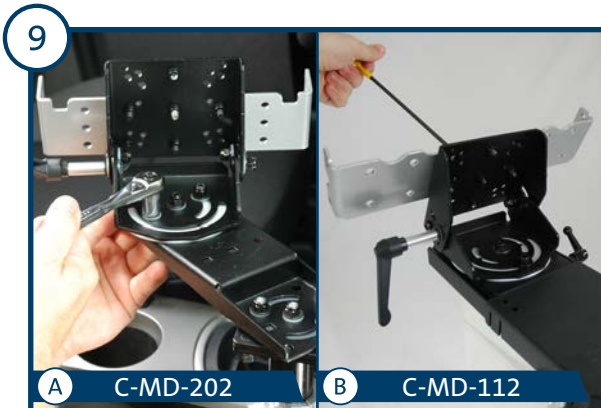
2010 Ford Focus used for instructions



- A) Install the Top Offset with the supplied hardware and handle. Tighten the hardware to allow minimal motion. Place the large plastic washer on the Top Offset.  
B) No adjustment required, please proceed to Step 8.



- Remove mounting bracket (a) from the bottom of the Docking Station and attach to the Motion Device (b).  
NOTE: If attaching a Universal Laptop Mount (UT-X Series or C-3090 Series), mount directly to the Motion Device.



- A) Connect the Motion Device assembly to the Top Offset. Tighten the hardware to allow minimal motion.  
NOTE: Motion Device has two (2) sets of holes.  
3-bolt pattern allows for 90 rotation.  
2-bolt pattern allows for 180 rotation.  
B) Motion Device is already connected, please proceed to step 10.



- Attach the Power Supply to the designated mounting location on the Docking Station.



- Attach the Docking Station to the mounting bracket.



- Adjust the shaft collar to desired height and fully tighten.



# Havis Heavy Duty Passenger Side Mounts General Installation Instructions

2010 Ford Focus used for instructions

13



To attach the optional two-piece support collar to the Pole, attach the side support arm to the two-piece support collar. Attach the side support arm to the underside of the dash with the supplied L bracket. Make sure all hardware is fully tightened.

14



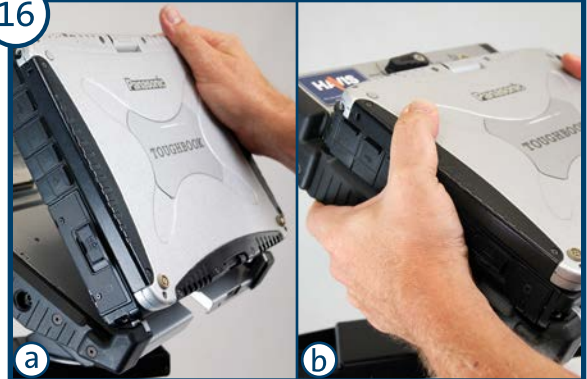
If you are installing the optional ChargeGuard® Power Management System, run power wires to the ChargeGuard and connect to the fused, 12 volt battery. (Additional instructions inside the ChargeGuard box.)

15



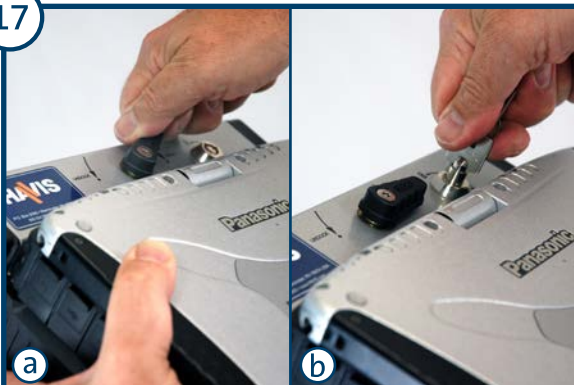
Congratulations, the installation is complete. To properly dock your computer into the Havis Docking Station, you must first open the docking connector door on the bottom of your computer or damages may occur.

16



a) Load the front of the computer into the front hooks of the Docking Station.  
b) Gently lower the back of the laptop down into the docking connector.

17

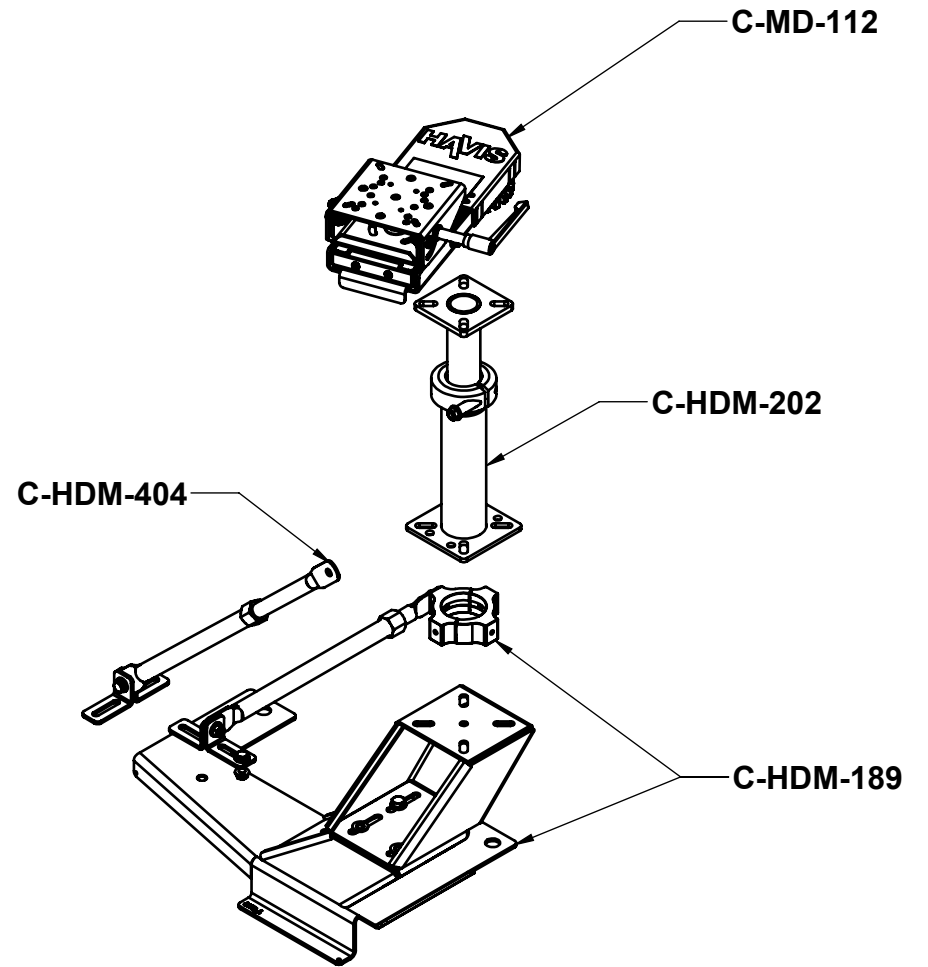
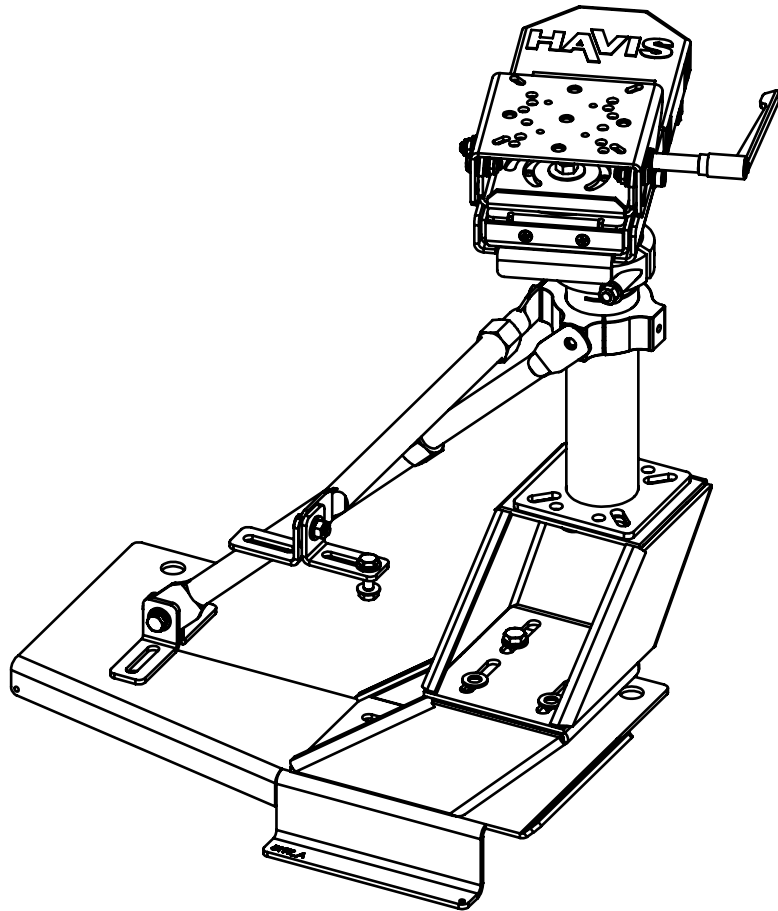


a) With the computer seated, turn the docking latch to the DOCK position.  
b) Secure by locking the barrel lock with the supplied key.

18



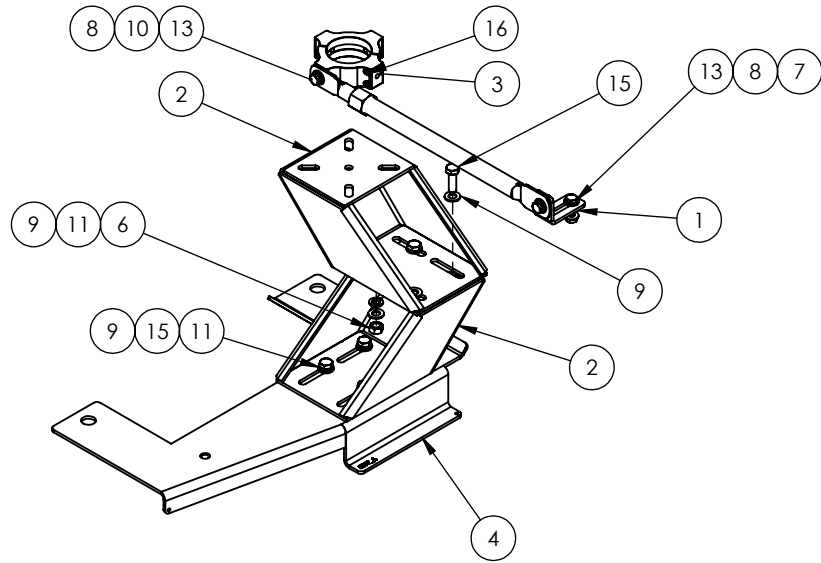
You have successfully and safely docked your computer.



**PKG-PSM-389**

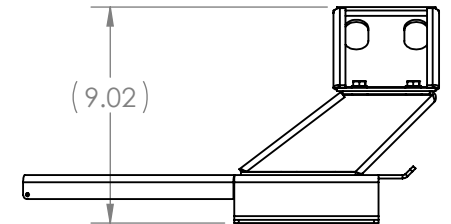
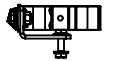
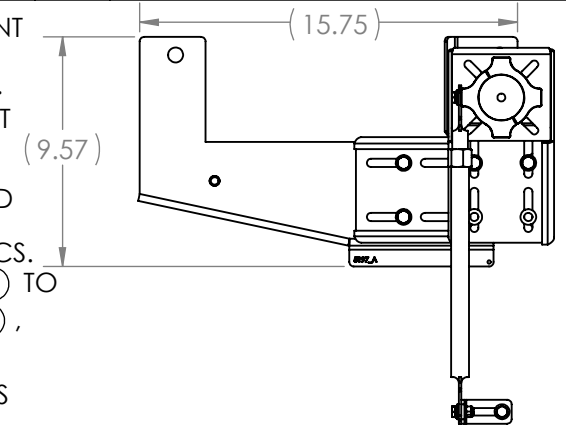
**HAVIS**  
Productivity in motion

PROJECT #	REV.	DESCRIPTION
1918	9-15	RELEASED TO PRODUCTION
2243	10-15	CHANGED MOUNTING LOCATION OF SUPPORT ARM TO THE OEM DASH



### INSTALLATION INSTRUCTIONS

1. REMOVE PASSENGER SIDE FRONT SEAT BOLTS.
2. SLIDE BASE (4) UNDER THE SEAT. ALIGN HOLES IN BASE WITH SEAT MOUNTING HOLES AND SEAT BRACKETS.
3. REINSTALL OEM SEAT BOLTS AND TIGHTEN TO VEHICLE MANUFACTURERS TORQUE SPECS.
4. ATTACH FIRST LOWER OFFSET (2) TO BASEPLATE WITH 5/16" BOLTS (15), LOCK WASHERS (11) AND FLAT WASHERS (9), ANGLE TOWARDS CENTER OF VEHICLE.
5. ATTACH SECOND LOWER OFFSET (2) TO FIRST LOWER OFFSET (2) WITH 5/16" BOLTS (15), LOCK WASHERS (11) AND FLAT WASHERS (9) ANGLE TOWARDS REAR OF VEHICLE.
6. INSTALL SPIDER COLLAR (3) ON THE HDM POLE (POLE NOT SHOWN) AS A SNUG FIT USING 10-24 SHCS (16).
7. FIX HDM POLE ONTO THE BASE BRACKET USING HARDWARE FROM C-HK-101 HARDWARE KIT.
8. INSTALL SUPPORT ARM TO COLLAR AS SHOWN USING 1/4-20 HARDWARE SUPPLIED (8) (10) (13), ATTACH UNDER DASH WITH "L" BRACKETS SUPPLIED.
9. REMOVE PLASTIC "PUSH IN" FASTENER AT LOWER FORWARD PASSENGER SIDE OF OEM CENTER CONSOLE. ATTACH "L" BRACKET (1) TO OEM FASTENER HOLE WITH 1/4-20 X 3/4" BOLT (13), WASHER (8) AND NUT (7) PROVIDED. NOTE THE TRICK TO GETTING THE NUT (7) ON THE INSIDE OF THE DASH IS TO USE TAPE ON YOUR FINGER TO HOLD THE NUT. PULL OUT PLASTIC SIDE PANEL ENOUGH TO GET YOUR HAND BEHIND. ATTACH BRACKET AND HARDWARE.
10. FOLLOW GENERAL INSTRUCTIONS FOR POLE AND UPPER MOUNT PARTS.



ITEM NO.	QTY.	HK	PART NUMBER	DESCRIPTION	Revision
1	2		CM002267	BRACKET, LATCH, UNIVERSAL MOUNTING	C
2	2		CM002400	BRACKET, MOUNT, 45° 3.5" LOWER OFFSET BASE W/SLOTS	H
3	2		CM002624	EXTRUSION SPIDER, 2PC, COLLAR	A1
4	1		CM005197	BRACKET, BASE, HDM, FORD ESCAPE, 2013	A
5	4		GSM30005	NUT 1/4-20 HEX BLK, ZINC, GRD 5	
6	8		GSM30007	NUT 5/16-18 HEX ZP	
7	1		GSM30023	NUT 1/4-20 HEX FLANGE SERRATED ZP, BLK	
8	6		GSM31005	WASHER, 1/4 FLAT ZP, BLACK	
9	17		GSM31006	WASHER, 5/16" FLAT, SAE ZP	
10	4		GSM31026	WASHER 1/4 LOCK ZP BLK	
11	9		GSM31027	WASHER, 5/16" LOCK, ZP	
12	1		GSM33000	SCREW 1/4-20 X 1/2 HHCS, BLK, ZP, GRD 5	
13	5		GSM33001	SCREW 1/4-20 x 3/4" HHCS ZP BLK	
14	1		GSM33011	SCREW, 5/16-18 X 3/4"	
15	8		GSM33012	SCREW 5/16-18 X 1 HHCS ZP	
16	4		GSM34214	SHCS, STAINLESS 10-24 X 1-1/4" LG	-

**HAVIS** HAVIS, INC.

TITLE: 2015+ FORD TRANSIT CONNECT

**DO NOT SCALE DRAWING**

SIZE	DWG. NO.	REV
<b>A</b>	C-HDM-189-INST	10-15
WEIGHT (LB): 12.713	SCALE: 1:8	SHEET 1 OF 1