

# Havis Heavy Duty Passenger Side Mounts

## General Installation Instructions

### Required tools to complete installation.

- Large Metric Socket Set (1/2" drive)
- Small Metric and US Standard Socket Set (1/4" drive)
- 7/8" Wrench
- 1/2" Wrench
- 7/16" Wrench
- US Standard Allen Wrench Set
- Phillips head Screwdriver

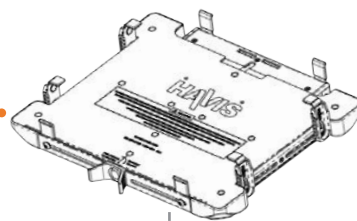


Complete assembly in vehicle (2010 Ford Focus)

### Required parts to complete assembly

#### Docking Station

(UT-X shown)



A

#### Motion Device

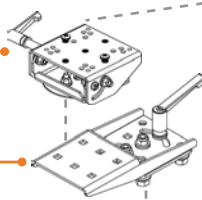
C-MD-202

#### Top Offset Platform

C-HDM-300 Series (C-HDM-303 shown)

#### Adaptor Plate

C-HDM-301 (included with Top Offset Platform)

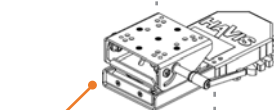


OR

B

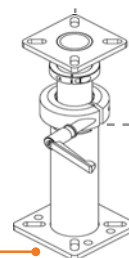
#### Slide Out Locking Swing Arm with Motion Adapter

C-MD-112



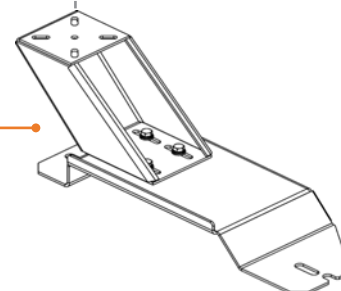
#### Pole Mount

C-HDM-200 Series (C-HDM-202 shown)



#### HDM Base & Offset Bracket

C-HDM-100 Series (C-HDM-118 shown)



### Optional parts for assembly



#### ChargeGuard®

CG-X



#### Power Supply

LPS-100/200 Series

#### Support Arm

C-HDM-401



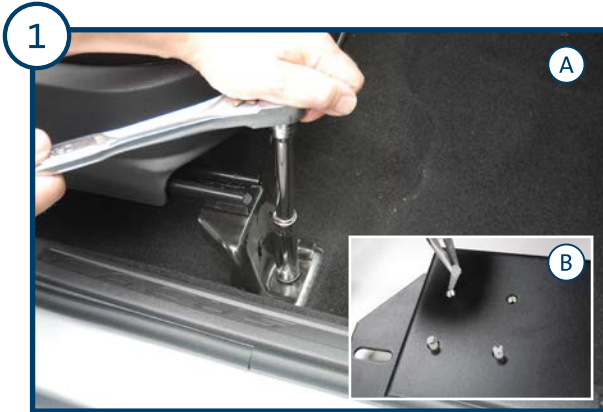
### For installation of Havis products, ALWAYS...

- Read all instructions before installing any Havis, Inc. Products.
- Check for obstructions (wire, brake lines, fuel tank, etc.)
- Use hardware provided with install kit

# Havis Heavy Duty Passenger Side Mounts

## General Installation Instructions

2010 Ford Focus used for instructions



A) Remove the plastic caps that cover the seat bolts. Remove the OEM seat bolts, seat nuts and seat studs, making sure to keep the seat bolts for HDM Base installation (Step 3).  
B) Remove all rubber thread protectors from the mounting holes on the HDM Base.

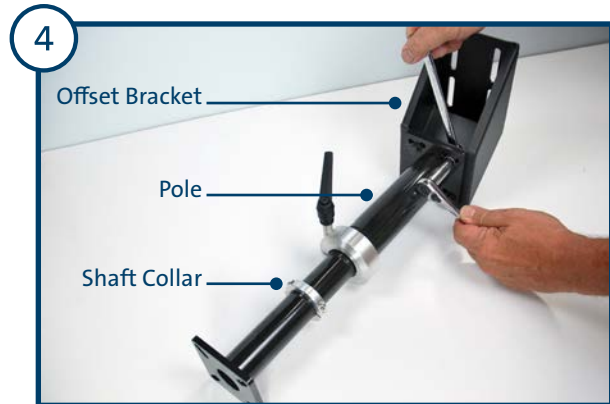


Lift the seat to place the HDM Base between the seat brackets and the floor.  
**NOTE:** Loosening rear seat bolts may be required for ease of installation.



Align the HDM Base mounting holes to seat bolt locations and loosely attach the seat bolts. Use caution to avoid stripping the threads. Fully tighten the bolts once HDM Base is properly in place.

**NOTE:** Some HDM Bases mount under the vehicle seat bracket and reuse OEM seat bolts (A), while other HDM Bases mount over the top of vehicle seat bracket and use provided spacers and bolts (B).



On the workbench, assemble the Offset Bracket and Pole using supplied 5/16" x 1" hex bolts, lock washers, and nuts (x4). Make sure all hardware is fully tightened. Attach the shaft collar anywhere on the inner pole, making sure to leave the shaft collar loose in order to adjust Pole height once installed in vehicle (Step 12).



Attach the assembled Offset Bracket and Pole to the HDM Base inside the vehicle, using supplied 5/16" x 3/4" hex bolts, lock washers, and flat washers. Make sure to adjust Offset Bracket to desired position before all hardware is fully tightened.

**NOTE:** If your application needs to be closer to center of vehicle, see optional C-HMD-409 Offset Plate.



A) Align the Adaptor Plate mounting studs to the top of the inner pole, then attach using the supplied 5/16" lock washers, flat washers, and nuts. Place the large plastic washer on top of Adaptor Plate.

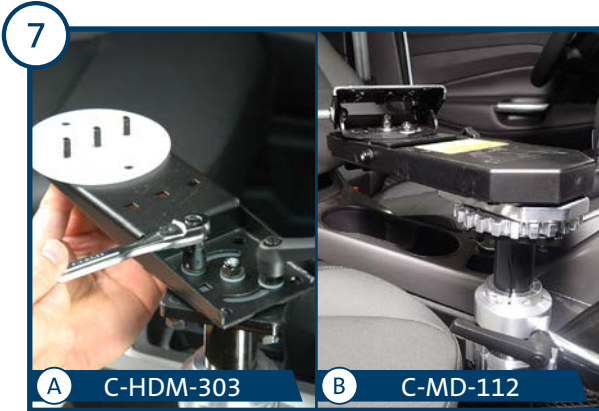
B) Align Swing Arm with Motion Device mounting holes to the top of the inner pole, then attach using 1/4" lock washers, flat washers, and bolts.

**NOTE:** Make sure all hardware is fully tightened.

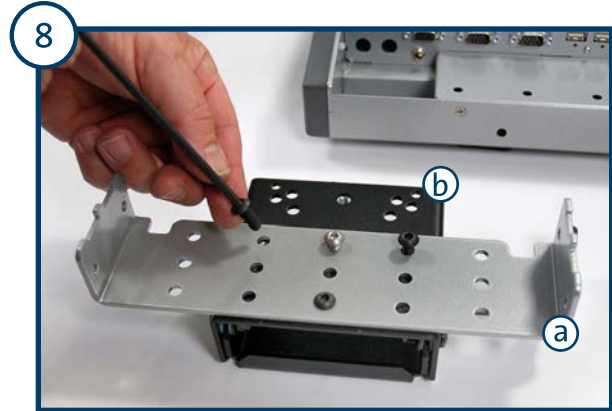
# Havis Heavy Duty Passenger Side Mounts

## General Installation Instructions

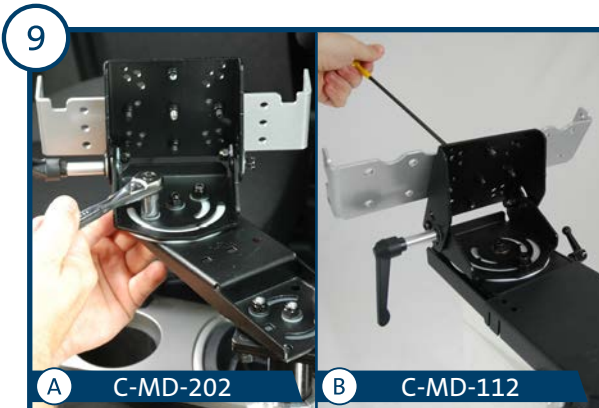
2010 Ford Focus used for instructions



- A) Install the Top Offset with the supplied hardware and handle. Tighten the hardware to allow minimal motion. Place the large plastic washer on the Top Offset.  
B) No adjustment required, please proceed to Step 8.



- Remove mounting bracket (a) from the bottom of the Docking Station and attach to the Motion Device (b).  
NOTE: If attaching a Universal Laptop Mount (UT-X Series or C-3090 Series), mount directly to the Motion Device.



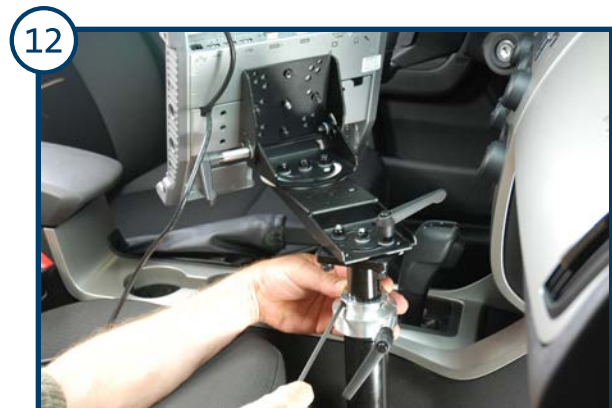
- A) Connect the Motion Device assembly to the Top Offset. Tighten the hardware to allow minimal motion.  
NOTE: Motion Device has two (2) sets of holes.  
3-bolt pattern allows for 90 rotation.  
2-bolt pattern allows for 180 rotation.  
B) Motion Device is already connected, please proceed to step 10.



- Attach the Power Supply to the designated mounting location on the Docking Station.



- Attach the Docking Station to the mounting bracket.



- Adjust the shaft collar to desired height and fully tighten.

# Havis Heavy Duty Passenger Side Mounts General Installation Instructions

2010 Ford Focus used for instructions

13



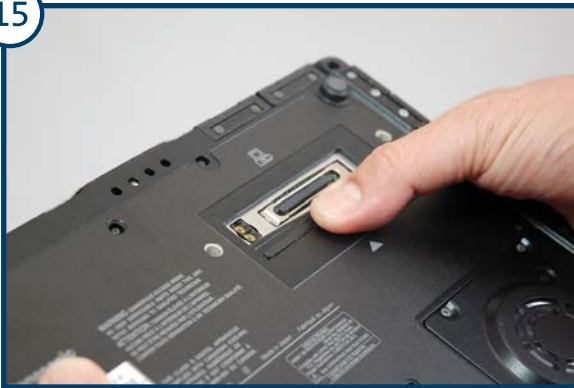
To attach the optional two-piece support collar to the Pole, attach the side support arm to the two-piece support collar. Attach the side support arm to the underside of the dash with the supplied L bracket. Make sure all hardware is fully tightened.

14



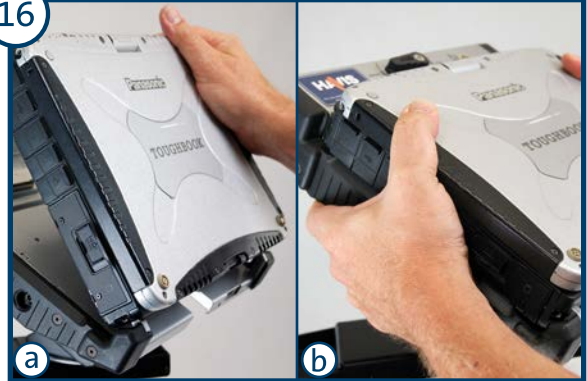
If you are installing the optional ChargeGuard® Power Management System, run power wires to the ChargeGuard and connect to the fused, 12 volt battery. (Additional instructions inside the ChargeGuard box.)

15



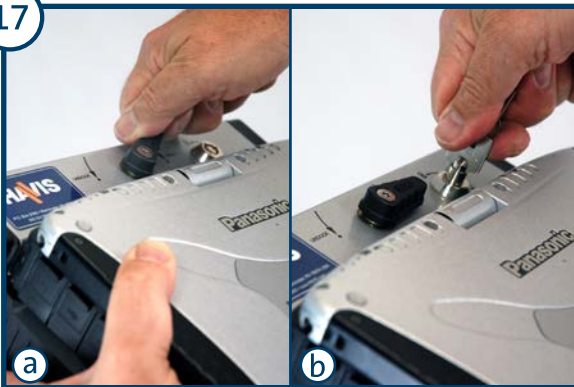
Congratulations, the installation is complete. To properly dock your computer into the Havis Docking Station, you must first open the docking connector door on the bottom of your computer or damages may occur.

16



a) Load the front of the computer into the front hooks of the Docking Station.  
b) Gently lower the back of the laptop down into the docking connector.

17

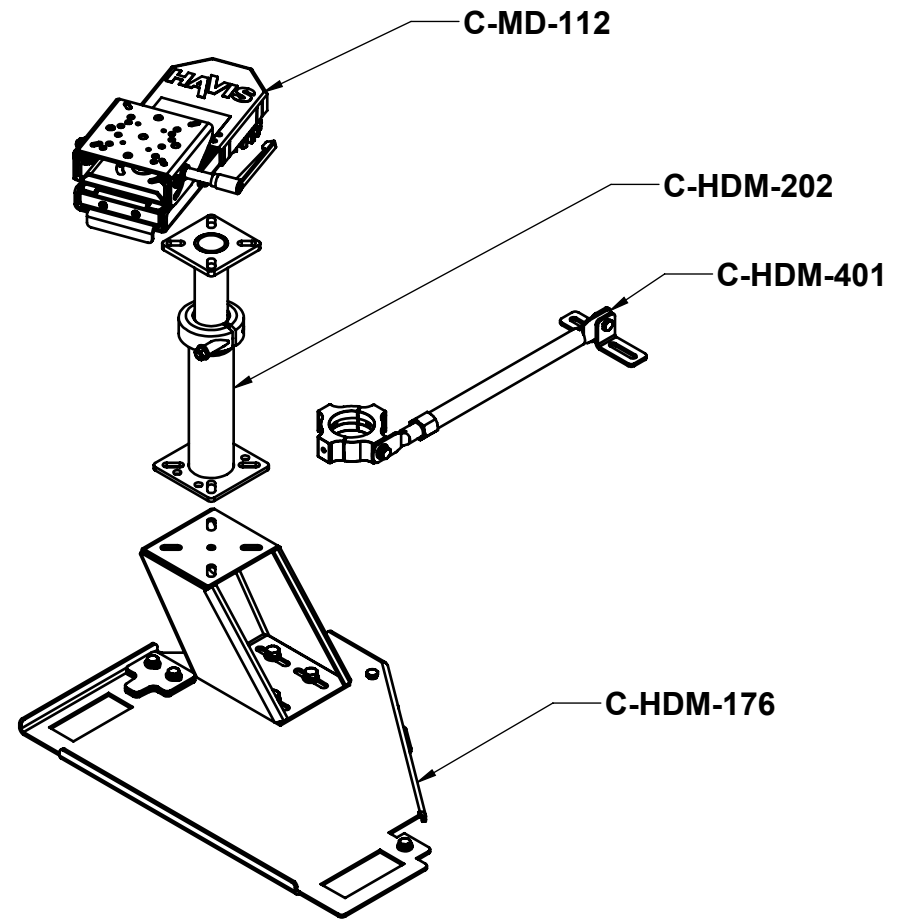
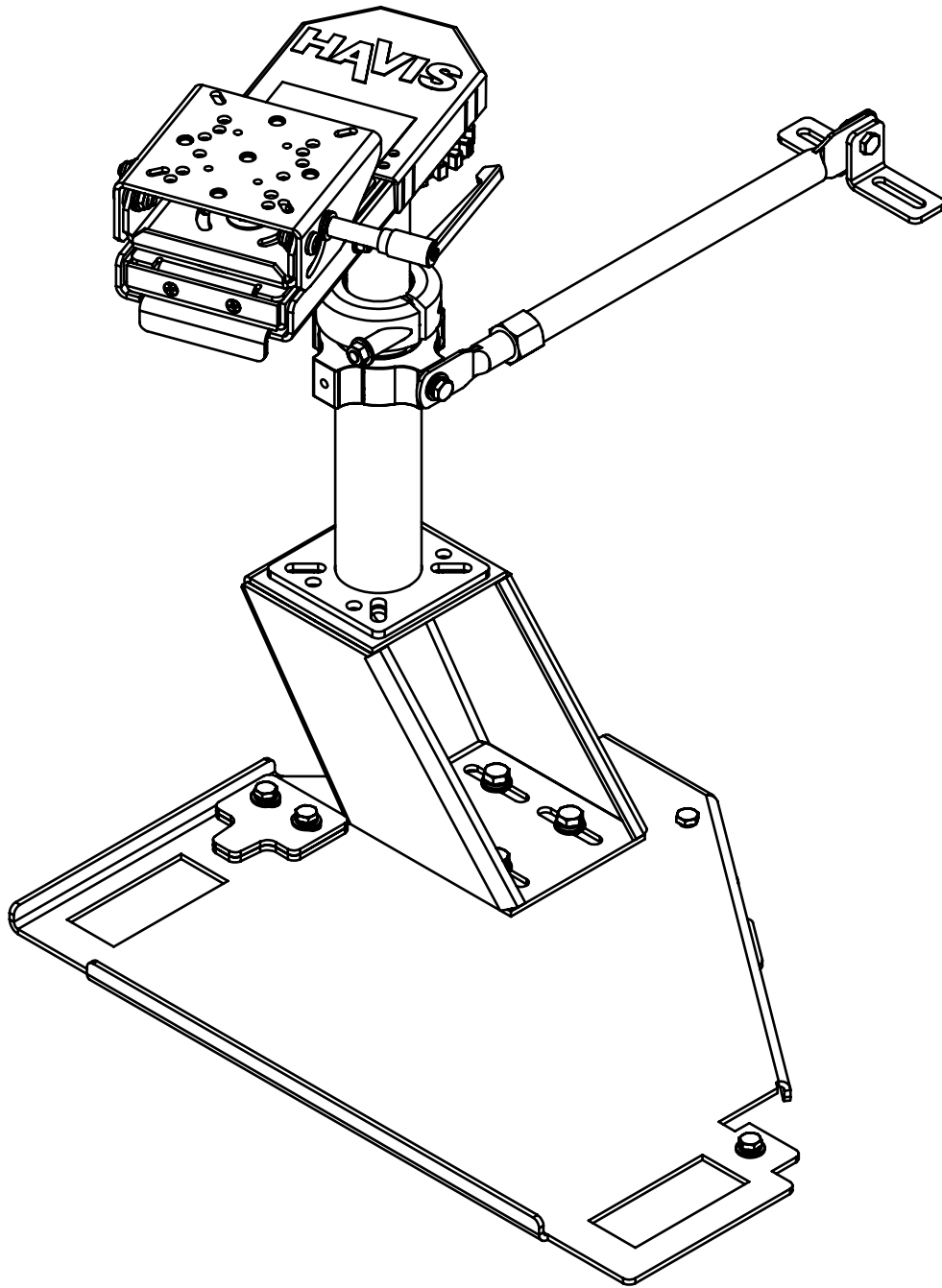


a) With the computer seated, turn the docking latch to the DOCK position.  
b) Secure by locking the barrel lock with the supplied key.

18



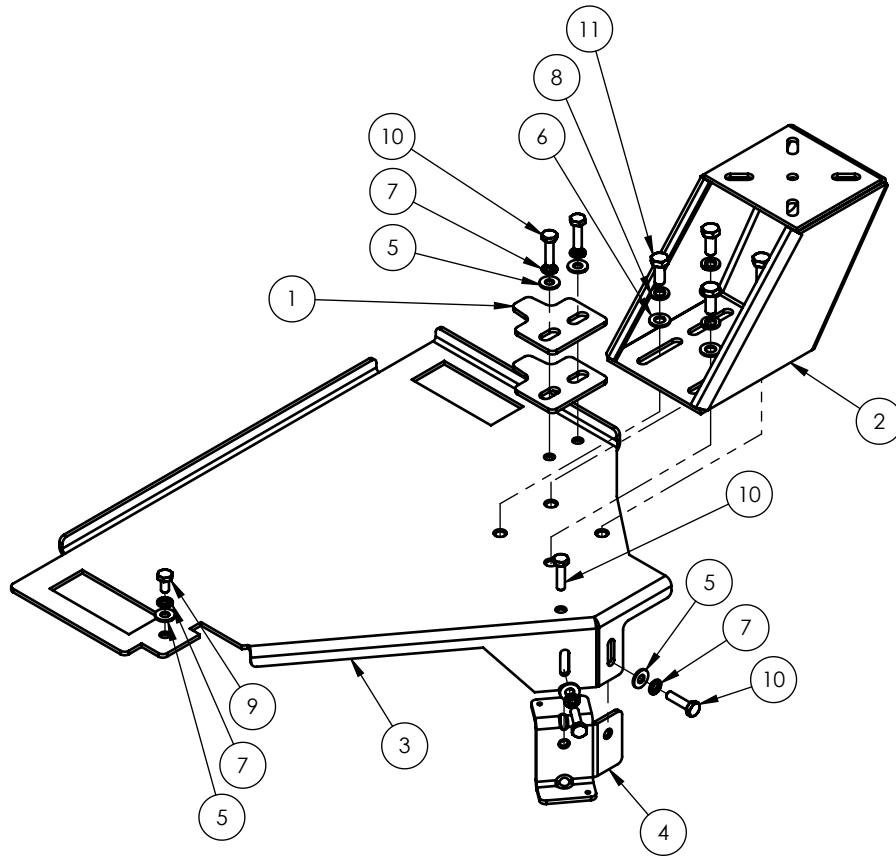
You have successfully and safely docked your computer.



**PKG-PSM-376**

**HAVIS**  
Productivity in motion

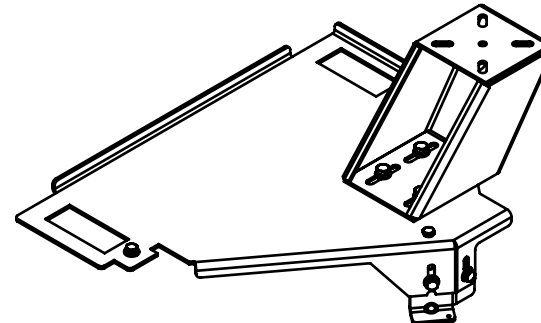
# C-HDM-176 INSTALLATION INSTRUCTIONS



## Installation Instructions

- ATTACH SUPPORT FOOT (4) TO MAIN BASE (3) USING (2X) 1/4-20 X 1" HEX HEAD CAP SCREWS (10), LOCK WASHERS (7) AND FLAT WASHERS (5).
- ADJUST SUPPORT FOOT TO ITS HIGHEST POSITION, AND LIGHTLY SECURE IT.
- INSTALL 1/4-20 X 1" HHCS (10), INTO THE THREADED HOLE ON THE MAIN BASE PLATE. DO NOT TIGHTEN.
- REMOVE TRIM AROUND PASSENGER SEAT.
- REMOVE PASSENGER SIDE REAR SEAT BOLTS.
- MANEUVER FRONT SEAT HOOKS OUT OF CORRESPONDING RECTANGULAR FLOOR HOLES.
- POSITION MAIN BASE INTO THE VEHICLE, LARGE RECTANGULAR HOLES SHOULD LINE UP WITH SEAT HOOK HOLES.
- PUT THE PASSENGER SIDE SEAT BACK INTO PLACE POSITIONING THE FRONT SEAT HOOKS FIRST. IT MAY BE NECESSARY TO POSITION THE PLATE AS FAR TO THE REAR AS POSSIBLE TO ALLOW THE SEAT TO BE EASILY TILTED FOR INSTALLATION.
- REPLACE REAR SEAT BOLTS AND FINGER TIGHTEN.
- IF THE BASE WAS SHIFTED TO THE REAR TO INSTALL THE SEAT, PULL IT AS FAR FORWARD AS POSSIBLE.
- IN NON-POWER SEAT APPLICATIONS, THE SINGLE THREADED HOLE ON THE OUTBOARD EDGE OF THE PLATE SHOULD LINE UP WITH A HOLE IN THE SEAT RAIL.
- IF APPLICABLE, INSTALL THE 1/4-20 X 1/2" HHCS (9), LOCK WASHER (7) AND FLAT WASHER (5) THROUGH THE SEAT RAIL INTO THE THREADED HOLE AND TIGHTEN.
- SLIDE TWO COMPRESSION PLATES (1) INTO THE DRIVERS SIDE SEAT RAIL AND SECURE WITH (2X) 1/4-20 X 1" HHCS (10), LOCK WASHERS (7) AND FLAT WASHERS (5).
- ATTACH BASE OFFSET (2) TO BASE USING (4X) 5/16-18 3/4" HHCS (11), (4X) 5/16 SPLIT LOCK WASHER (8) AND (4X) 5/16" FLAT WASHER (6).
- TIGHTEN 1/4-20 X 1" BOLT TO EXTEND SUPPORT FOOT TO THE FLOORING UNTIL SUFFICIENT SUPPORT FOR THE BASE HAS BEEN REACHED.
- TIGHTEN (2X) 1/4 X 1" HHCS TO LOCK SUPPORT FOOT IN PLACE.

ITEM NO.	QTY.	PART NUMBER	DESCRIPTION
1	2	CM002454	COMPRESSION PLATE,
2	1	CM002531	BRACKET, MOUNT, 55 DEG. 5" LOWER OFFSET BASE W/ SLOTS
3	1	CM007406	HDM BASE, 2015-UP TAHOE, 2014-UP SILVERADO 1500, 2015-UP SILVERADO. SIERRA 2500/3500, 2015-UP GM C&C
4	1	CM007408	FOOT, HDM, 2014 GM3500 C&C
5	5	GSM31005	WASHER, 1/4 FLAT ZP, BLACK
6	4	GSM31006	WASHER, 5/16" FLAT, SAE ZP
7	5	GSM31026	WASHER 1/4 LOCK ZP BLK
8	4	GSM31027	WASHER, 5/16" LOCK, ZP
9	1	GSM33000	SCREW 1/4-20 X 1/2 HHCS, BLK, ZP, GRD 5
10	5	GSM33002	SCREW 1/4-20 X 1 HHCS ZP
11	4	GSM33011	SCREW, 5/16-18 X 3/4"



**HAVIS HAVIS, INC.**

TITLE:  
INSTALLATION, HDM BASE, 2014+  
SILVERADO 1500/ 2015+ TAHOE

**DO NOT SCALE DRAWING**

SIZE <b>A</b>	DWG. NO. C-HDM-176-INST	REV 10-15
WEIGHT (LB): 12.93	SCALE: 1:8	SHEET 1 OF 1