

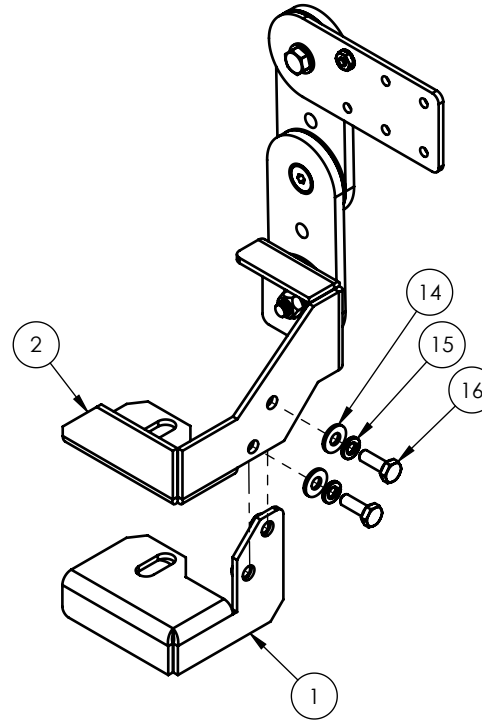
INSTALLATION INSTRUCTIONS:

PRE-ASSEMBLE

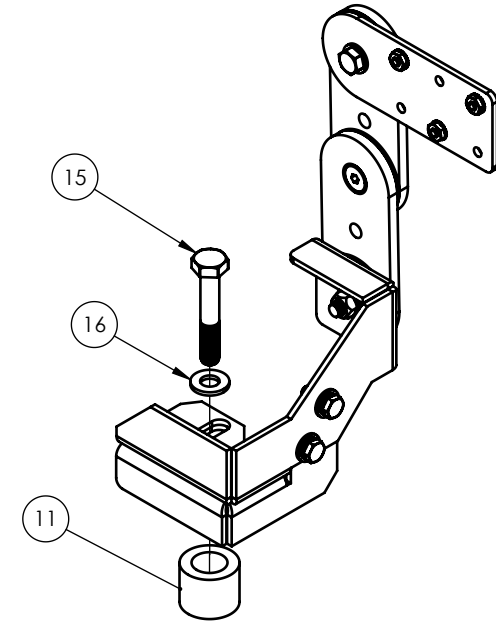
- ATTACH UPPER BRACKET (ITEM 2) TO BASE (ITEM 1) AS SHOWN. ALIGN SLOT AND SECURE WITH TWO (2) 1/4-20 X 3/4 HEXBOLTS, LOCK WASHERS AND FLAT WASHERS.

INSTALL:

- REMOVE PLASTIC COVER OVER PASSENGER SIDE INBOARD FRONT SEAT BOLT.
- REMOVE PASSENGER SIDE FRONT INBOARD FRONT SEAT BOLT. (13MM SOCKET)
- PLACE SPACER AND BASE OVER SEAT BRACKET.
- INSTALL SUPPLIED LONGER SEAT BOLT AND WASHER AND TIGHTEN TO VEHICLE MANUFACTURER'S TORQUE SPECIFICATION.
- FOR EQUIPMENT AND FLEX ARM MOUNTING SEE C-FAM-INST INSTRUCTION SHEET.



PRE-ASSEMBLE



INSTALL

ITEM NO.	QTY.	PART NUMBER	DESCRIPTION
1	1	10-007228	BASE, FAM, 2015 F-150
2	1	10-007229	BRKT, UPPER, FAM, 2015 F-150
3	1	30-006083	ARM ASSEMBLY, FLEX ARM MOUNTS
4	2	GSM31020	WASHER 5/16 x 2 FENDER ZP
5	1	10-006037	BRKT, FLEX ARM MOUNT, TOP
6	2	GSM33807	HRDW,SCRW,5/16-24X1 GR5,ZPS
7	7	GSM34096	SCREW, 10-32 X 3/8 PPHMS SS
8	7	GSM30028	NUT 10-32 KEPS ZP, BLK
9	4	GSM31006	WASHER, 5/16" FLAT, SAE ZP
10	5	GSM30160	HRDW,NUT,LOCK,5/16-24,ZINC,SP
11	1	10-003319	SPACER, 1.0"L X 1-1/4" OD X 3/4" ID
12	2	GSM31005	WASHER, 1/4 FLAT ZP, BLACK
13	2	GSM31026	WASHER 1/4 LOCK ZP
14	2	GSM33001	SCREW 1/4-20 x 3/4" HHCS ZP
15	1	GSM33738	BOLT M10 X 1.5 60MM LG GRD 8
16	1	GSM31007	WASHER 3/8 FLAT ZP
17	1	C-FAM-114-INST	INSTALLATION INSTRUCTIONS, C-FAM-114
18	1	C-FAM-INST	INSTALLATION, FLEX ARM MOUNT

REV.	DESCRIPTION	DATE
5-15	RELEASE TO PRODUCTION	5/13/2015

HAVIS HAVIS, INC.

TITLE:
INSTALLATION INSTRUCTIONS, C-
FAM-114

DO NOT SCALE DRAWING

SIZE A	DWG. NO. C-FAM-114-INST	REV 5-15
WEIGHT (LB): 3.20	SCALE: 1:4	SHEET 1 OF 1

INSTALLATION INSTRUCTIONS

PROJECT #	REV.	DESCRIPTION	DATE	BY	CHECKED BY
1349	8-14	CHG LETTER REV. TO DATE	8/12/2014	KDAVIS	

INSTALLATION OF C-FAM-201 PRIOR TO VEHICLE INSTALLATION (PKG-FAM-1XX ONLY):

1. ASSEMBLE FLEX MOUNT (C-FAM-201), SCREWING SHAFT INTO MOUNTING BASE AS SHOWN IN ILLUSTRATION. SECURE WITH INCLUDED 10-32 SOCKET HEAD CAP SCREW AND INCLUDED ALLEN WRENCH (NOT SHOWN)
2. ATTACH FLEX MOUNT TO BRACKET WITH 3 OF 10-32 X 3/8"SCREWS AND KEPS NUTS. **NOTE:** ON C-FAM-101 NO NUTS RE REQUIRED, 10-32 SCREWS ARE 1/4" LENGTH.
3. INSTALL INCLUDED CAPS AFTER TIGHTENING HARDWARE (IF DESIRED).

VEHICLE INSTALLATION (EXCEPT C-FAM-101):

4. REMOVE PLASTIC SEAT TRIM IF NEEDED.
5. REMOVE PASSENGER SIDE INBOARD FRONT SEAT BOLT.
6. SLIDE BASE PLATE IN BETWEEN FLOOR AND SEAT BRACKET OR PLACE OVER SEAT BOLT HOLE AS NEEDED.
7. REINSTALL OEM SEAT BOLT, OR REPLACEMENT BOLT AND SPACER (IF SUPPLIED) AND TIGHTEN TO VEHICLE MANUFACTURER'S TORQUE SPECIFICATION.

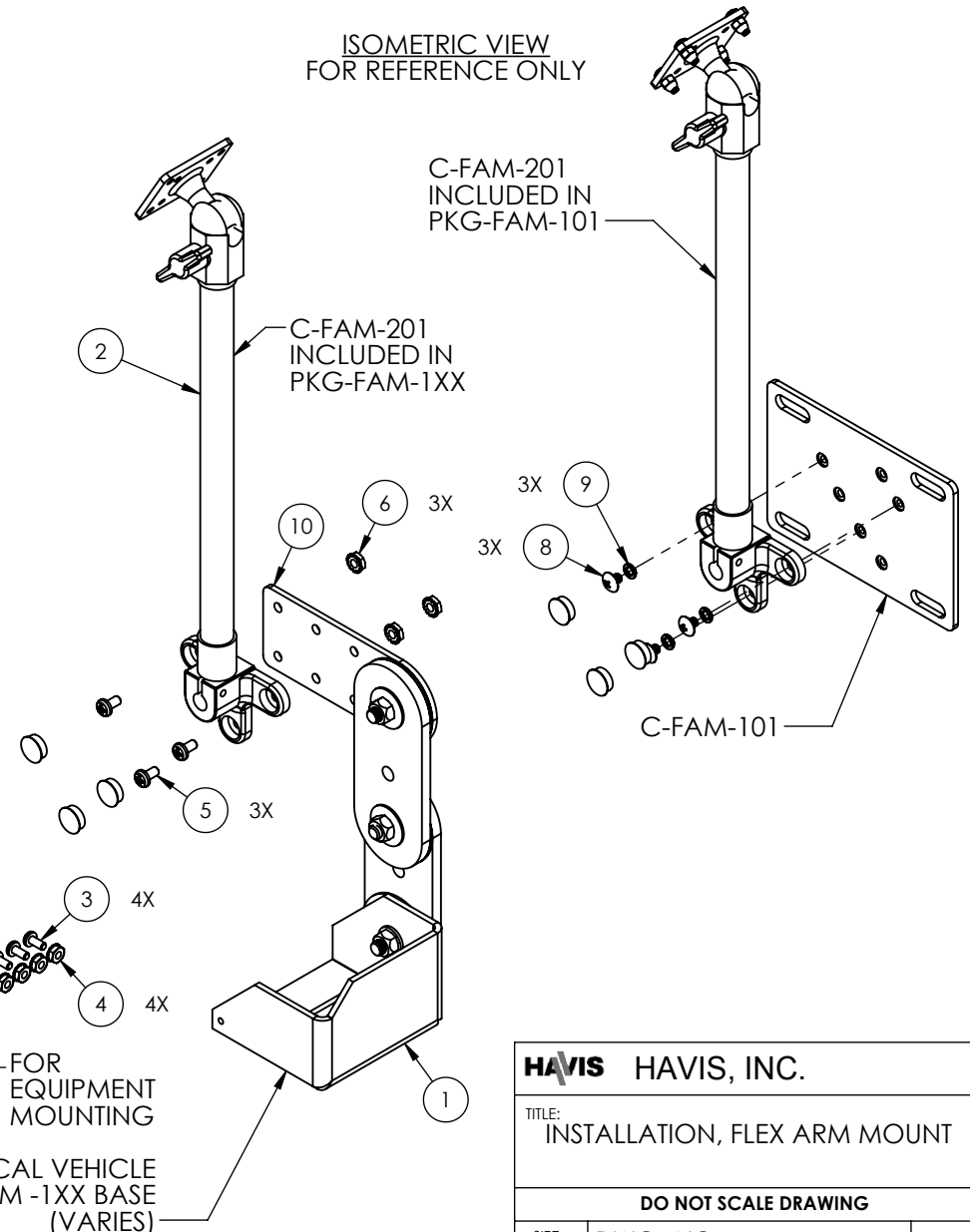
EQUIPMENT INSTALLATION

1. ATTACH EQUIPMENT TO UPPER BALL SWIVEL OF FLEX MOUNT USING EITHER SUPPLIED #8 SCREWS AND/OR NUTS OR HARDWARE SUPPLIED WITH THE EQUIPMENT.
2. POSITION EQUIPMENT AS DESIRED.

INSTALLATION TIPS/ NOTES:

1. SWIVEL DISCS CAN BE RECONFIGURED IF DESIRED, BUT NEW CONICAL LOCKING NUTS SHOULD BE USED IF ORIGINAL NUTS HAVE BEEN REMOVED.
2. COMPLETELY TIGHTENING THE LOWER DISCS (TO LOCK IN POSITION) IS RECOMMENDED TO MINIMIZE SWIVEL/ HINGE MOVEMENT.
3. BALL MOUNT HOLE PATTERN FITS 1.19 X 1.50 (30MM X 38MM) AMPS HOLE PATTERN.
4. C-FAM-201 CAN ATTACH TO EITHER SIDE OF PLATE (AS DESIRED)

ISOMETRIC VIEW
FOR REFERENCE ONLY



ADDITIONAL
LOCKING NUTS

ITEM NO.	QTY.	HK	PART NUMBER	DESCRIPTION
1	1		C-FAM-1XX	BRKT, FLEX ARM MOUNT, 2013 FUSION/ INSE
2	1	1	C-FAM-201	FLEX ARM MOUNT, 14" LG
3	4	4	GSM33540	SCREW 8-32 X 3/8 PTHMS ZP
4	4	4	GSM30027	NUT 8-32 KEPS ZP
5	3	3	GSM34096	SCREW, 10-32 X 3/8 PPHMS SS
6	3	3	GSM30028	NUT 10-32 KEPS ZP, BLK
7	5	3	GSM30160	HRDW,NUT,LOCK,5/16-24,ZINC,SP
8	3	3	GSM33320	HRDW,SCRW,10-32x1/4,PTHMS,ZINC, (FAM-101 ONLY)
9	3	3	GSM31025	WASHER #10 LOCK ZP (FAM-101 ONLY)
10	1	1	10-006037	BRKT, FLEX ARM MOUNT, TOP

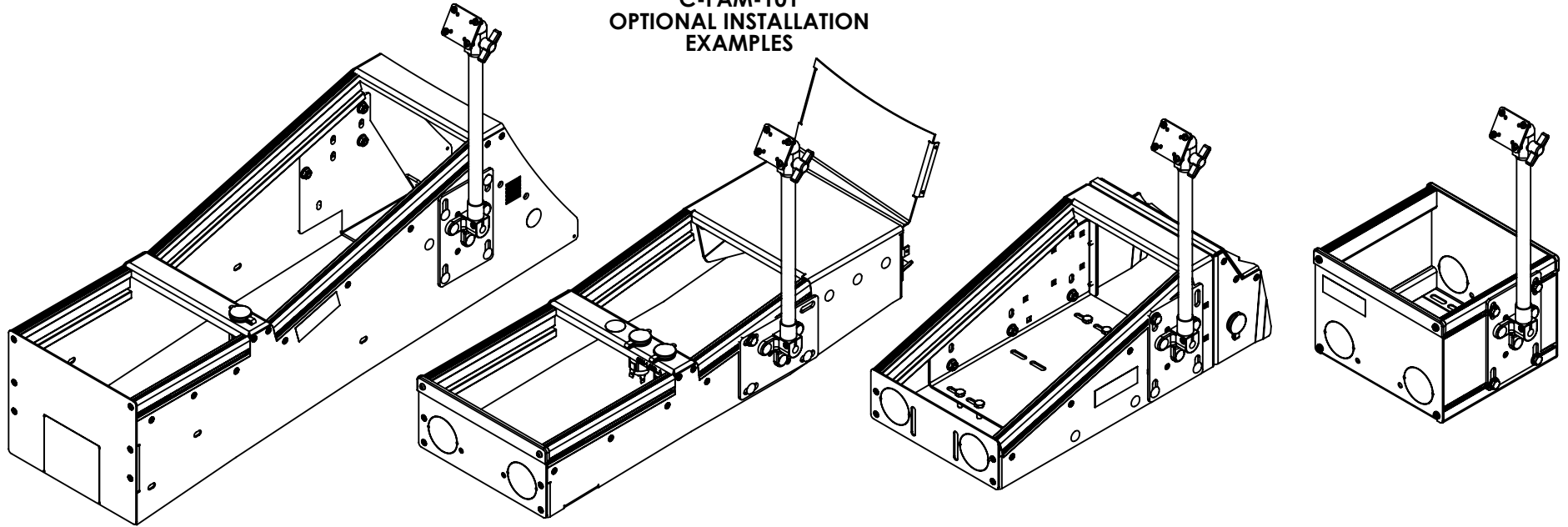
HAVIS HAVIS, INC.

TITLE:
INSTALLATION, FLEX ARM MOUNT

DO NOT SCALE DRAWING

SIZE	DWG. NO.	REV
A	C-FAM-INST	8-14
WEIGHT (LB): 2.77	SCALE: 1:4	SHEET 1 OF 2

**C-FAM-101
OPTIONAL INSTALLATION
EXAMPLES**

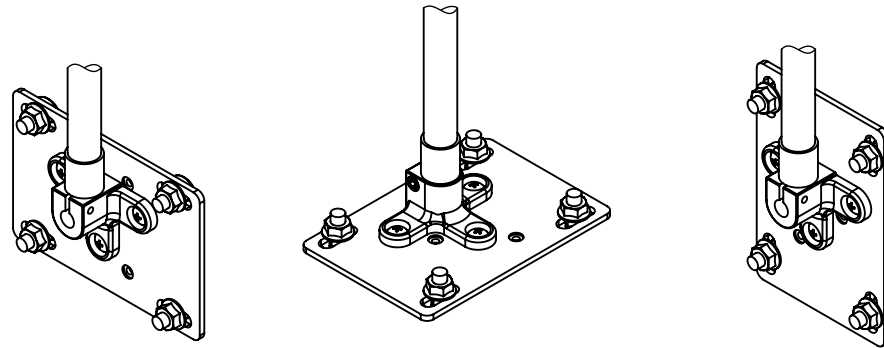


**C-FAM-101 UNIVERSAL FLEX ARM MOUNT
CONSOLE INSTALLATION:**

1. MOST HAVIS CONSOLES HAVE A MATCHING MOUNTING BOLT PATTERN ON THE PASSENGER SIDE. PLACE THE FLEX ARM MOUNTING PLATE ON THE SIDE OF THE CONSOLE AND FIND A MATCHING MOUNTING PATTERN.
2. IN SOME CONSOLES, IT MAY BE NECESSARY TO USE ONE OF THE NUTS PREINSTALLED IN THE SIDE OF THE TOP RAIL FOR THE TOP REAR FASTENER. INSTALLER MAY NEED TO DRILL ONE OR MORE MOUNTING HOLES IN THE EVENT THAT MATCHING PREDRILLED HOLES IN THE CONSOLE CANNOT BE FOUND.
3. SECURE C-FAM-101 MOUNTING PLATE TO SIDE OF CONSOLE WITH 1/4-20 X 3/4" LONG CARRIAGE BOLTS AND FLANGED NUTS.

EQUIPMENT INSTALLATION:

1. ATTACH EQUIPMENT TO UPPER BALL SWIVEL OF FLEX MOUNT USING EITHER SUPPLIED #8 SCREWS AND/OR NUTS OR HARDWARE SUPPLIED WITH THE EQUIPMENT.
2. POSITION EQUIPMENT AS DESIRED.



HAVIS HAVIS, INC.		
TITLE: INSTALLATION, FLEX ARM MOUNT		
DO NOT SCALE DRAWING		
SIZE A	DWG. NO. C-FAM-INST	REV 8-14
WEIGHT (LB): 0.88	SCALE: 1:4	SHEET 2 OF 2