

All New Mobile Office Solutions for the Nissan Frontier

Industry-Leading Products for the Nissan Frontier

Havis now offers vehicle specific mounting for the Nissan Frontier. Our innovative computing, docking, and mounting solutions maximize mobile worker productivity with comfortable solutions, built to the highest safety standards, with a focus on quality. Our vehicle specific systems provide the strongest mounting solutions for valuable computing devices and equipment. Heavy Duty Passenger Side Mounts attach to existing OEM seat bolts and mount independently to provide a customized computer mounting solution.



Complete Your Total Mobility Solution with Havis accessories, such as Rugged Keyboard & Integrated Mount, Screen Blanking, Power Supplies, Computer Docking Stations, Auto-Shut Off Timer, Anti-Idling System and more.

Create Your Ideal Mobile Workspace



Touch Screen Display



Dash Monitor Mount



Heavy Duty Side Mount

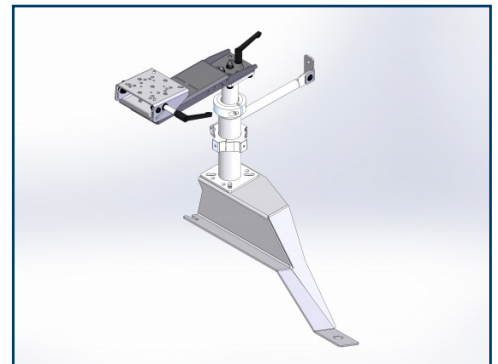
Mount Keyboard
or Tablet



Flexible Arm Mount

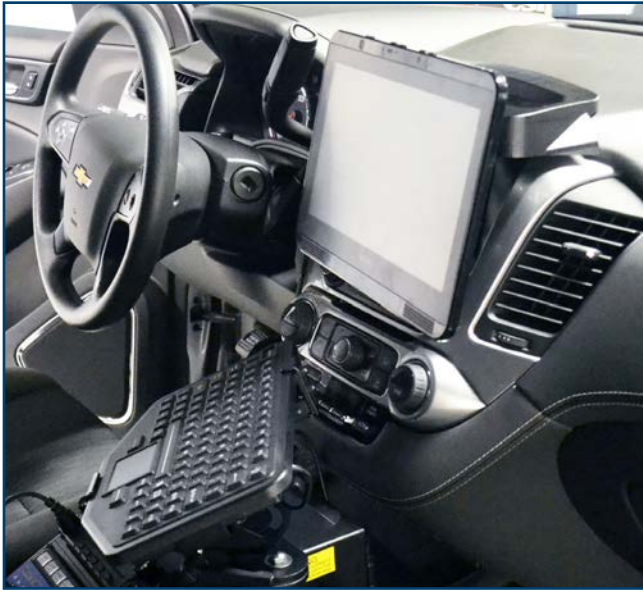


Premium Passenger Side Mount



Standard Passenger Side Mount PKG

Havis Dash Mounts Kits for Havis Touch Screen Display



Havis Dash Mounts Kits for Havis Touch Screen Display

- Designed primarily to be used with Havis Touch Screen Display (TSD-101)
- Unique friction based hinge allows for easy lift for access to OEM control panel
- Hinge provides tilt swivel motion for left, right, up and down positioning
- Design features close to dash for space saving in cabin
- Positions computer monitor in a safe, convenient line of sight
- Designed with driver in mind - monitor conveniently swivels for improved viewing angle for both driver and passenger.
- Excellent space saving solution allows additional equipment to be mounted in console.
- Easy installation with minimal parts needed for attaching to dash
- No permanent modification necessary if user desires to run wire harness externally
- Drilling required if user desires to conceal wire harness inside dash
- In addition to Havis Touch Screen Display, C-DMM-2000 mounts can be used for other light weight devices.
- Recommended maximum weight carrying capacity = 4 lbs

Havis Dash Mounts Kits for Havis Touch Screen Display

Part Number	Vehicle and Years
C-DMM-2001	2013 - 2018 Ford Interceptor Utility
C-DMM-2002	2013 - 2018 Ford Interceptor Sedan
C-DMM-2004	2015 - 2018 Dodge Charger Pursuit
C-DMM-2005	2015 - 2018 Ford Transit
C-DMM-2006*	2015 - 2018 Ford F150 2018 Ford Expedition

Part Number	Vehicle and Years
C-DMM-2007	2008 - 2016 Ford F250 - F750
C-DMM-2008	2015 - 2018 Chevrolet Colorado
C-DMM-2009	2015 - 2017 Ford Expedition
C-DMM-2012	2011 - 2018 Nissan Frontier
C-DMM-2014	2015 - 2018 Chevrolet Tahoe

* - C-DMM-2006 also available for 2017-2018 Ford F250, F350, F450, and F450 & F550 Cab Chassis

Have you considered the Havis Rugged Keyboard and Mount System?



The System includes the Havis Rugged Keyboard (KB-101) and Keyboard Mount (C-KBM-201). Featuring red monochrome backlit illumination to reduce eye strain, the IP65 rated keyboard rests securely in the patent pending mount allowing ease of use and adjustment.



One touch button illuminates red monochrome backlight