

INSTALL INSTRUCTIONS

C-DMM-2010 Dash Monitor Mount

2014-2018 Chevrolet Silverado and GMC Sierra 1500 Pickup (C and K series)
 2015-2019 Chevrolet Silverado and GMC Sierra 2500 & 3500 Pickup (C and K series)

Notes:

1. *The C-DMM-2000 series Dash Monitor Mount brackets are specifically designed to work with Havis, Inc, model # TSD-101 Touch Screen Display.*
2. *The display mount bracket includes a VESA 75 hole pattern that can also be used for some light weight tablet docking station applications under 5 lbs. . Acceptable positioning must be determined by end user.*
3. *The C-DMM-2010 will work with all Havis, Inc. consoles made for the Super Duty.*
4. *The C-DMM-2010 Does NOT work with the upgraded radio with touchscreen. Please review photos to confirm what OEM dash is required for this application.*

TOOLS REQUIRED: (some tools are not needed for all vehicle installations)

- Socket set - metric & standard • Drill & drill bits • 1.5" hole saw • Tape measure
- Phillips screwdriver • Trim removal tools • Pencil / Marker

MOUNT BRACKET PARTS and HARDWARE:

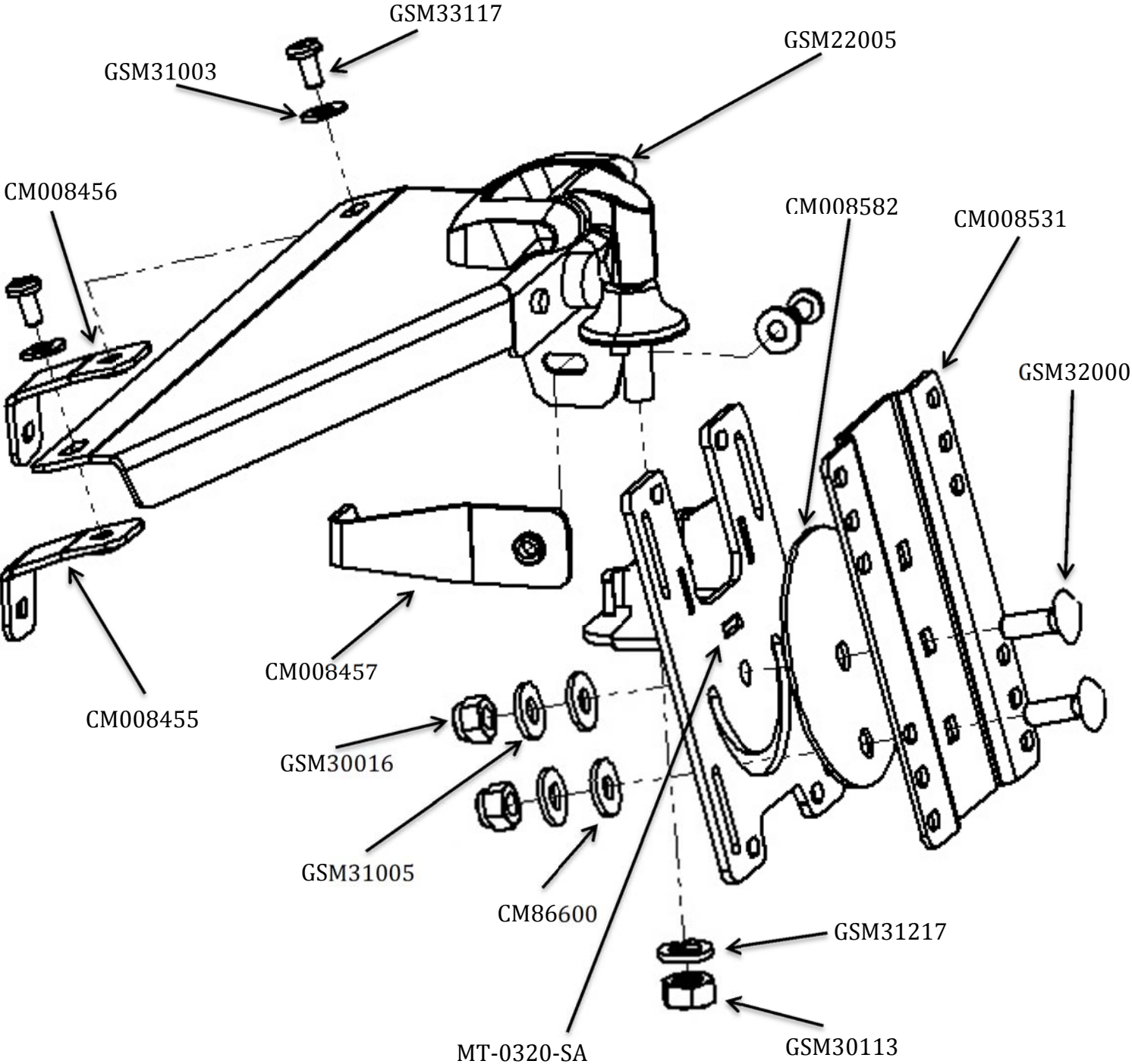
*Installation parts with * come loose in hardware kit bag. Other parts are preassembled*

QTY:	DESCRIPTION:	PART #:
1	Main dash mount bracket	CM008454
1	Pivot / display mount bracket	MT-0320-SA *
1	PVC spacer washer	CM008582
1	Tilt swivel adaptor	CM008531
2	1/4" x 3/4" Carriage bolts	GSM32000
2	1/4" Nylock nut	GSM30016
2	1/4" Flat washer	GSM31005
2	Nylon 1/16" spacer washer	CM86600
1	Tilt swivel hinge	GSM22005
1	M8 hex nut SS	GSM30113
1	M8 lock washer SS	GSM31217
3	Machine Screw 10-32 x 3/8"	GSM33117
3	#10 Flat washer	GSM31003
1	Vinyl cap (.50" high x .312 - .375 id)	GSM41127
1	Stop bracket	MT-0291-SM
2	M5 x 10mm Thread forming screw	GSM33774
2	Pull through bumper (3mm head)	GSM21109
2	Push in bumper (10mm head)	GSM21108
1	8-32 x .312" Phillips truss head machine screw	GSM34077 *
1	Passenger side upper mounting tab	CM008456
1	Driver side upper mounting tab	CM008455
1	Passnger side lower mounting tab	CM008457

ALWAYS!

- Read all instructions before installing any Havis, Inc products.
- Use hardware provided with install kit

C-DMM-2010 assembly





View of Silverado/Sierra prior to installation.



Remove dash panel by gently prying along edges with a panel removal tool.



Pull dash trim off and remove



Remove fasteners above radio display (7 mm socket)



Install driver and passenger side upper mounting tabs



Remove fastener above vent.



Install passenger side mounting tab using previously removed hardware.



Loosely attach main dash mount bracket and ensure fitment.



Remove dash mount bracket and gently place trim back on dash.



Mark dash trim and notch as needed to clear tabs.



Re-install dash trim and place main dash mount onto the tabs.



Tighten all hardware



Connect harnesses to the back of the TSD-101 display. It is important to also double wire tie the harnesses to provide sturdy strain relief for the plugs.
USB connection from remote Docking station must plug into USB plug closest to front of display.



Attach pivot / display mount bracket to display with M4 x 0.7 x 10mm Phillips head machine screws, lock washers and flat washers. Display mount hardware is included with TSD-101 hardware kit



Attach bracket with display to the tilt swivel hinge with M8 hex nut and lock washer. Tighten nut and attach vinyl cap on M8 bolt threads.



Check for full movement of TSD and ensure proper wire management.



Refer to TSD-101 owner's manual for power and computer connection details.



Installation of C-DMM-2010 with TSD-101 complete.