

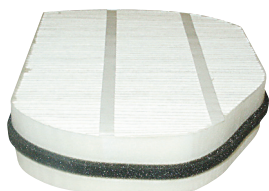
CABIN AIR FILTER

IDENTIFICATION / INSTALLATION

IMPORTS

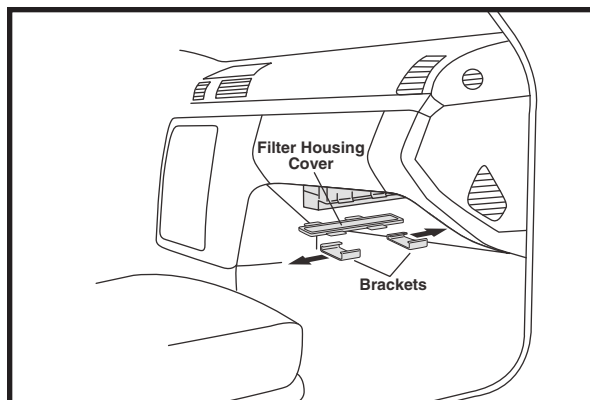
AFC1153

Mercedes-Benz C36, C43, C220, C230, C280, CLK55, CLK320,
CLK430, SLK32 AMG, SLK230, SLK320;
Chrysler Crossfire

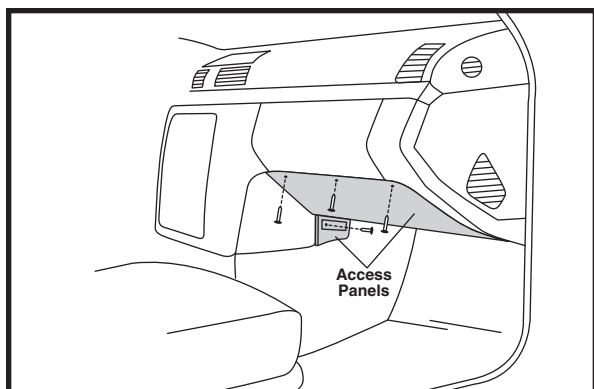


OE: 2028300018, 2108300818
Fits: 2004-08 Chrysler Crossfire
1995-97 Mercedes-Benz C36
1998-2000 Mercedes-Benz C43
1994-96 Mercedes-Benz C220
1997-2000 Mercedes-Benz C230
1994-2000 Mercedes-Benz C280
2001-02 Mercedes-Benz CLK55
1998-2002 Mercedes-Benz CLK320
1999-2003 Mercedes-Benz CLK430
2002-04 Mercedes-Benz SLK32 AMG
1998-2004 Mercedes-Benz SLK230
2001-04 Mercedes-Benz SLK320
Size: 10 1/2 x (6 1/4 to 8 3/8) x 2 1/16
(266.7 x (158.8 to 212.7) x 52.4)

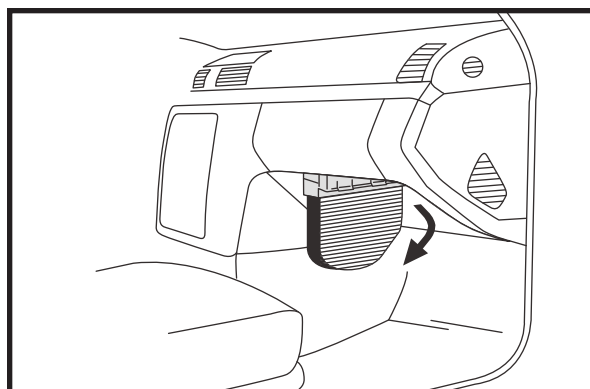
A. Gskt.: [1] Attached



4. Locate sliding bracket on filter housing cover.
5. Slide one bracket toward seat and one bracket toward front of vehicle to remove both housing cover and brackets.



1. Open passenger side door.
2. Remove screws on access panels located under glove compartment.
3. Remove access panels.



6. Rotate lower, back of filter, then pull down to remove.
7. Replace filter and reassemble.

Notice: The information provided is based on the latest authoritative information available at press time. However, due to manufacturers' changes, and year and model variations, Hastings Premium Filters cannot be responsible for misapplications and instruction errors.



Discover other A/C and heating parts on our website.