

CABIN AIR FILTER IDENTIFICATION / INSTALLATION

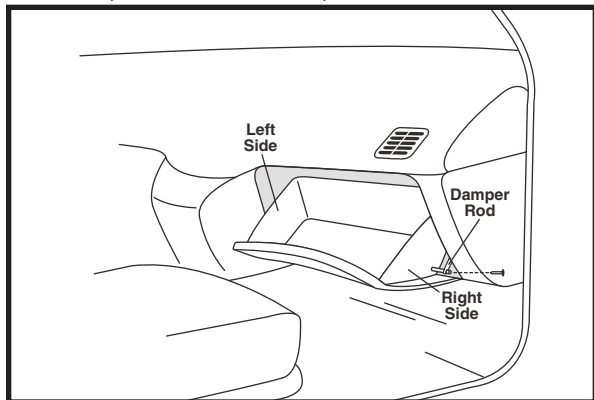
IMPORTS

AFC1352 (1 of 2)

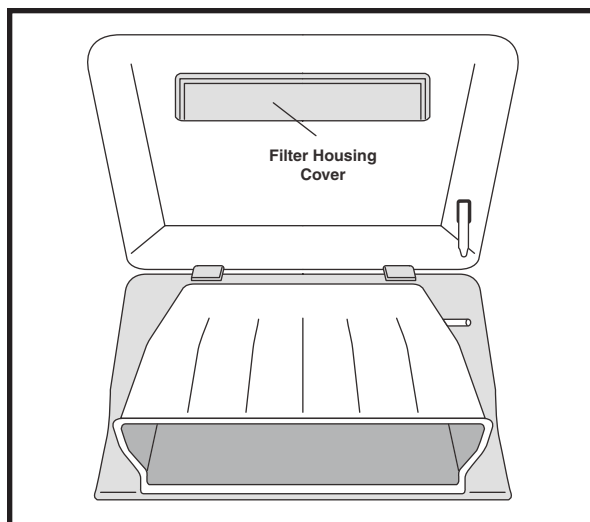
Lexus ES350, GS450h Hybrid, GS460,
GX460, HS250h Hybrid, IS250, IS350,
IS-F, LX570, RX350, RX450h Hybrid;
Toyota 4Runner, Land Cruiser,
Sequoia, Tundra, Venza, Yaris



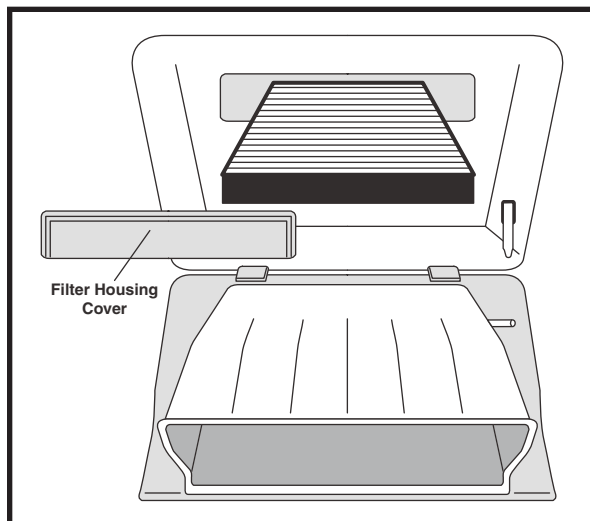
- OE:** 87139-07010
Fits: 2007-on Lexus ES350, IS250, IS350, Toyota Tundra
2007-11 Lexus GS450h Hybrid
2008-11 Lexus GS460, Toyota Land Cruiser
2010-on Lexus GX460, HS250h Hybrid, IS-F,
RX350, RX450h Hybrid
2008-on Lexus LX570
2010 Toyota 4Runner
2011 Toyota Sequoia
2011-on Toyota Venza, Yaris
Size: 8 15/32 x 7 19/32 x 1 1/8
(215.1 x 192.9 x 28.6)



1. Open passenger side door.
2. Open glove compartment.
3. Remove screw holding damper rod in place on right side of glove compartment.
4. Detach damper rod from glove compartment.
5. Push in on left and right sides of glove compartment to release glove compartment.



6. Flip down glove compartment.
7. Remove filter housing cover.



8. Replace filter and reassemble.

Notice: The information provided is based on the latest authoritative information available at press time. However, due to manufacturers' changes, and year and model variations, Hastings Premium Filters cannot be responsible for misapplications and instruction errors.



Discover other A/C and heating parts on our website.