

# Water Pump Catalog



Caterpillar Cummins

Detroit Diesel Ford

General Motors

Mack

Mercedes Navistar

Thermo-King/Isuzu

Volvo



Innovative Vehicle Solutions

## Important Notice

The products described within this literature, including without limitation, product features, specifications, designs, availability and pricing are subject to change by Haldex and its subsidiaries at any time without notice.

This document and other information from Haldex, its subsidiaries and authorized distributors provide product and/or system options for further investigation by users having technical expertise. It is important that you analyze all aspects of your application and review the information concerning the product or system, in the current literature or catalog. Due to the variety of operating conditions and applications for these products or systems, the user, through their own analysis and testing, is solely responsible for making the final selection of the products and systems and assuring that all performance, safety and warning requirements are met.

---

## 20 – Water Pumps

<b>Table of Contents</b>	20-1
<b>Part Number Index</b>	20-3
<b>General Information</b>	
Foreword	20-4
Installation	20-5
<b>Caterpillar</b>	
1160 and 3176 Engine	20-6
3116/3126 Engine	20-7
3208 Engine	20-8
3306 Engine	20-9
3406, C15, C18 Engine	20-10
C13 Acert	20-12
Installation Kits	20-13
<b>Cummins</b>	
B & C-Series Engine	20-14
ISC & ISL Models	20-15
ISX Engine	20-16
Big Cam Engine	20-17
Small Cam Engine	20-19
L-10 and M-11 Engine	20-20
N-Series Engine	20-21
VT903 Engine	20-23
Cummins: D Series Engine	20-24
ISB	20-25
Idlers	20-26
Installation and Repair Kits	20-27
<b>Detroit Diesel</b>	
8.2 Liter Engine	20-28
53 Series Engine	20-29
60 Series Engine	20-30
71 Series Engine	20-32
71 Series In-Line Engine	20-33
92 Series Engine	20-34
Installation and Repair Kits	20-35
<b>Ford</b>	
Ford: 7.3L Engines	20-36
6.6 and 7.8 Liter Engine	20-37
Installation Kits	20-38

## 20–WATER PUMPS

## Table of Contents

Ford Powerstroke	20–39
<b>General Motors</b>	
6 to 7 Liter Engine	20–40
Duramax 6.6 Liter Engine	20–41
<b>Mack</b>	
END 673, 675, 676 & E–6 Engine	20–42
ENDT 675, 676 & EMS–6 Engine	20–43
E–7 Engine	20–44
ACET Engines	20–45
Installation Kits	20–46
<b>Mercedes</b>	20–47
<b>Navistar</b>	
DT360, 414, 415, 466 & DTA360 Engine	20–48
6.9, 7.3, 9.0 Liters & DT444E Engine	20–50
Installation Kits	20–51
MaxxForce Diesel 9L, 10L	20–52
<b>Thermo–King/Isuzu</b>	
Isuzu 2.2 Liter and C–201 Engine	20–53
Installation Kit	20–54
Isuzu: Yanmar 482, 486 Engines	20–55
<b>Volvo</b>	20–56
<b>Carrier/Kubota/Bobcat</b>	20–57
<b>Isuzu: 4BD2 Engines</b>	20–58
<b>Light/Medium Duty Engines</b>	
Dodge: Light/Medium Duty Engines	20–59
General Motors: Light/Medium	20–60
Ford: Light/Medium Duty	20–61
<b>Maintenance</b>	
Water Pump	20–62

# Part Number Index

# 20-WATER PUMPS

Part Number	Type	Page #	Part Number	Type	Page #	Part Number	Type	Page #	Part Number	Type	Page #
1073KIT	S	20-27	RW1187X	S	20-32	RW2052	S	20-52	RW6078	S	20-26
1119KIT	S	20-35	RW1188X	S	20-34	RW2060	S	20-25	RW6078X	S	20-26
1160KIT	S	20-35	RW1189RX	S	20-34	RW3000	S	20-17	RW6079	S	20-15
1162KIT	S	20-13	RW1189X	S	20-34	RW4001X	S	20-8	RW6079RX	S	20-15
1172KIT	S	20-27	RW1190	S	20-48	RW4005X	S	20-6	RW6079X	S	20-15
1174KIT	S	20-27	RW1190RX	S	20-48	RW4007X	S	20-9	RW6114	S	20-50
1176KIT	S	20-27	RW1190X	S	20-48	RW4008X	S	20-9	RW6119	S	20-28
1178KIT	S	20-27	RW1191	S	20-48	RW4009RX	S	20-6	RW6126	S	20-30
1179KIT	S	20-27	RW1191X	S	20-48	RW4009X	S	20-6	RW6127	S	20-30
1180KIT	S	20-35	RW1192X	S	20-33	RW4011RX	S	20-6	RW6215	S	20-42
1181KIT	S	20-35	RW1193X	S	20-33	RW4011X	S	20-6	RW6306	S	20-50
1184KIT	S	20-35	RW1194	S	20-10	RW4015X	S	20-7	RW6306X	S	20-50
1189KIT	S	20-35	RW1194BPK	S	20-13	RW4016X	S	20-7	RW6307	S	20-48
1190KIT	S	20-51	RW1194PRX	S	20-10	RW4017X	S	20-7	RW6310	S	20-39
1194KIT	S	20-13	RW1194PX	S	20-10	RW4018X	S	20-7	RW6311	S	20-48
1351KIT	S	20-54	RW1195X	S	20-21	RW4019X	S	20-12	RW6313	S	20-48
1747KIT	S	20-51	RW1196X	S	20-32	RW4054X	S	20-21	RW6314	S	20-37
1760KIT	S	20-38	RW1197X	S	20-33	RW4055X	S	20-21	RW6352	S	20-53
2001KIT	S	20-46	RW1198RX	S	20-21	RW4068X	S	20-16	RW6355	S	20-47
2005KIT	S	20-46	RW1198X	S	20-21	RW4069X	S	20-16	RW852	S	20-40
4009KIT	S	20-13	RW1199	S	20-53	RW4070RX	S	20-26	RW885	S	20-37
4076KIT	S	20-27	RW1199X	S	20-53	RW4070X	S	20-26			
4122KIT	S	20-35	RW1303X	S	20-48	RW4071RX	S	20-26			
6075KIT	S	20-27	RW1304RX	S	20-48	RW4071X	S	20-26			
RW1017	S	20-10	RW1304X	S	20-48	RW4076RX	S	20-20			
RW1017X	S	20-10	RW1310X	S	20-48	RW4076X	S	20-20			
RW1018X	S	20-10	RW1351	S	20-53	RW4077X	S	20-20			
RW1061	S	20-17	RW1351X	S	20-53	RW4114X	S	20-50			
RW1061RX	S	20-17	RW1352X	S	20-53	RW4122PLK	S	20-35			
RW1061X	S	20-17	RW1381	S	20-40	RW4122PRX	S	20-30			
RW1067RX	S	20-19	RW1406	S	20-40	RW4122PX	S	20-30			
RW1067X	S	20-19	RW1406X	S	20-40	RW4122RX	S	20-30			
RW1073RX	S	20-21	RW1407	S	20-8	RW4122STK	S	20-35			
RW1073VX	S	20-21	RW1407RX	S	20-8	RW4122X	S	20-30			
RW1073X	S	20-21	RW1407X	S	20-8	RW4123PRX	S	20-30			
RW1074X	S	20-26	RW1408X	S	20-40	RW4123PX	S	20-30			
RW1119RX	S	20-28	RW1409X	S	20-40	RW4123RX	S	20-30			
RW1119X	S	20-28	RW1438	S	20-59	RW4123X	S	20-30			
RW1120RX	S	20-28	RW1463	S	20-41	RW4124X	S	20-30			
RW1120X	S	20-28	RW1559	S	20-40	RW4125PRX	S	20-30			
RW1160RX	S	20-30	RW1652	S	20-60	RW4125PX	S	20-30			
RW1160X	S	20-30	RW1694	S	20-61	RW4126X	S	20-30			
RW1162	S	20-8	RW1747	S	20-50	RW4209X	S	20-43			
RW1162RX	S	20-8	RW1747X	S	20-50	RW4210X	S	20-43			
RW1162X	S	20-8	RW1757	S	20-50	RW4215X	S	20-42			
RW1170	S	20-17	RW1757RX	S	20-50	RW4217X	S	20-44			
RW1170RX	S	20-17	RW1757X	S	20-50	RW4218X	S	20-44			
RW1170X	S	20-17	RW1760RX	S	20-37	RW4219X	S	20-42			
RW1171	S	20-19	RW1760X	S	20-37	RW4220X	S	20-44			
RW1171RX	S	20-19	RW1761RX	S	20-37	RW4221X	S	20-44			
RW1171X	S	20-19	RW1761X	S	20-37	RW4222X	S	20-44			
RW1172	S	20-17	RW1762	S	20-37	RW4223X	S	20-44			
RW1172RX	S	20-17	RW1762X	S	20-37	RW4224X	S	20-44			
RW1172X	S	20-17	RW1767	S	20-39	RW4226X	S	20-44			
RW1173	S	20-26	RW1767X	S	20-39	RW4227X	S	20-44			
RW1173RX	S	20-26	RW1768	S	20-39	RW4229X	S	20-44			
RW1173X	S	20-26	RW1769	S	20-39	RW4786X	S	20-56			
RW1174	S	20-21	RW1786	S	20-39	RW5072K	S	20-27			
RW1174RX	S	20-21	RW1799	S	20-57	RW5079K	S	20-27			
RW1174X	S	20-21	RW181747	S	20-59	RW5922K	S	20-13			
RW1175	S	20-26	RW1903X	S	20-23	RW6012RX	S	20-10			
RW1175RX	S	20-26	RW1907	S	20-58	RW6012X	S	20-10			
RW1175X	S	20-26	RW1908	S	20-58	RW6014X	S	20-10			
RW1176	S	20-17	RW1910	S	20-55	RW6015	S	20-7			
RW1176RX	S	20-17	RW1912	S	20-47	RW6016	S	20-7			
RW1176X	S	20-17	RW1917	S	20-39	RW6063	S	20-21			
RW1177RX	S	20-17	RW1923	S	20-36	RW6066	S	20-16			
RW1177X	S	20-17	RW1935	S	20-41	RW6067	S	20-17			
RW1178RX	S	20-20	RW1939	S	20-60	RW6068	S	20-20			
RW1178X	S	20-20	RW1994	S	20-24	RW6069	S	20-16			
RW1179X	S	20-21	RW2000X	S	20-42	RW6070	S	20-26			
RW1180X	S	20-29	RW2001	S	20-43	RW6071	S	20-26			
RW1181	S	20-33	RW2001X	S	20-43	RW6073	S	20-21			
RW1181RX	S	20-33	RW2002	S	20-43	RW6074	S	20-26			
RW1181X	S	20-33	RW2002X	S	20-43	RW6075	S	20-14			
RW1182RX	S	20-33	RW2005	S	20-43	RW6075RX	S	20-14			
RW1182X	S	20-33	RW2005X	S	20-43	RW6075X	S	20-14			
RW1183X	S	20-29	RW2006X	S	20-43	RW6076	S	20-20			
RW1184X	S	20-32	RW2008X	S	20-45	RW6077	S	20-14			
RW1185X	S	20-32	RW2009X	S	20-45	RW6077RX	S	20-14			
RW1186X	S	20-32	RW2044	S	20-47	RW6077X	S	20-14			

Type "O" = OEM P/N, Type "S" = Service P/N

If OEM part # is not found on page listed, refer to the MCR for applicable cross reference.

## **PURPOSE OF THIS SECTION**

This section is designed as a reference for Haldex new and remanufactured air brake system components and accessories, sold under the Haldex and Midland product names. Products described include all pertinent information needed to replace an OEM installed component or to help design an original installation. If there is a service number for a given part, it is noted in the product number table.

## **DESIGN FLEXIBILITY**

The products presented in this section are described by function and usage. Technical data and mounting configurations are also provided. Throughout this section, reference is made to numerous specific OEM applications. This section is not, however, intended to be a mutually exclusive listing of all part numbers and designs available. Should the need for a design not presented occur, contact your Haldex sales representative for additional information.

## **IMPORTANT NOTICE**

The data listed herein is correct to the best of Haldex's knowledge and belief, having been compiled from reliable and official sources of information. However, HALDEX CANNOT ASSUME ANY RESPONSIBILITY for possible error or misapplication of the product. Final determination of the suitability of the products for the use contemplated by the Buyer is the sole responsibility of the Buyer. Haldex shall have no responsibility in connection with this suitability. It is not our intention to imply that any of the components in this catalog in connection with an engine make or model are made by any engine manufacturer.

## GENERAL INFORMATION

To avoid problems when installing your water pump, follow the simple, step-by-step instructions below. Handle your replacement water pump with care. If the unit is dropped, the internal ceramic seal may crack. **NEVER STRIKE THE SHAFT**, as this can damage the shaft or bearings. Always check the fan, pulleys, belts, and fan clutch. **CAUTION: FOR YOUR PROTECTION, CLOSE HOOD WHEN REVVING ENGINE.**

## INSTALLATION INSTRUCTIONS

1. Always drain and flush cooling system if it shows signs of corrosion. Dirt particles in the coolant can cause seal failure. Clean the water pump impeller cavity and gasket surface. Also, check the radiator cap, thermostat, and the fan belt for wear or improper function. Replace if necessary.
2. Carefully install the replacement water pump. **NEVER STRIKE THE SHAFT.** Tighten all bolts in a staggered sequence.
3. Turn pump shaft by hand to check for free rotation. If the shaft does not turn freely then recheck your installation.
4. Check fan belt tension. Belt should deflect 1/2" to 3/4". If the belt is too tight the pump will be damaged.
5. Reconnect hoses and refill cooling system. Be sure there are no leaks.
6. Check the fan blade for bent blades, loose rivets, or any other damage. **NEVER STRAIGHTEN A BENT BLADE.** Replace the entire fan when defects are found.
7. Check the fan clutch (if installed) for loss of oil, looseness or wobble. If there is more than 1/4" of play at the blade edges the bearing is bad and the fan clutch needs to be replaced. A bad or misaligned clutch will damage a water pump.
8. Check fan clearances at blade tip between fan and shroud, and between fan and radiator.
9. Check motor mounts for wear or splitting. Check bolt tightness.
10. Start the engine and run until normal operating temperature is reached. Check for leaks and unusual vibration. **NEVER STAND IN LINE WITH OR NEAR FAN WHEN REVVING THE ENGINE. THE HOOD SHOULD BE CLOSED WHEN REVVING THE ENGINE.**

## IMPORTANT!

Leaks, loose fan belts or defective fan clutches cause cooling system problems more often than defective water pumps. Water pump failure can be caused by defective, crooked, or unbalanced fans; defective or unbalanced fan clutches; excessive (too-tight) fan belt tension; dirty cooling systems; insufficient clearance between the fan and the shroud or radiator; loose or broken motor mounts. **MANY FUTURE PROBLEMS CAN BE AVOIDED IF EVERYTHING IS CHECKED OUT WHEN THE WATER PUMP IS REPLACED.**

## ITEMS TO REMEMBER

- Handle the replacement water pump with care.
- Always use a new gasket.
- All pumps are greased at the factory – do not add grease.
- Always drain and flush the cooling system.
- Check hoses, clamps, thermostat, and radiator cap. Replace if necessary.
- Check the fan belt. A glazed belt will slip at high RPM. Overtightening will cause damage to the water pump (stress on bearing, broken shaft, broken housing).
- The fan clutch should be free running and in proper balance.
- Check the fan for loose rivets, bent blades, cracked blades, wobble and shroud clearance.

## SPECIAL NOTE

When replacing the water pump on a Detroit 60 Series engine, always check for excessive Bull Gear Runout (wear). Excessive runout will lead to premature water pump failure. \*Refer to Mfg. Specifications for acceptable Runout and Bull Gear Replacement Guidelines.

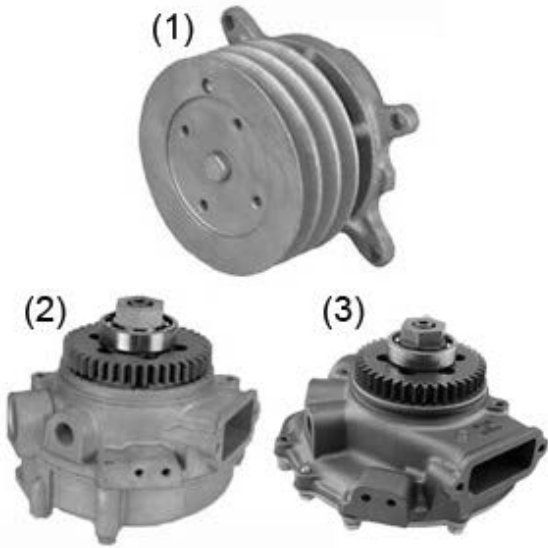
### Failure to Replace Worn Bull Gear may result in:

- Excessive gear wear and chipped/broken teeth
- Broken casting near bearing journal
- Failed Bearings

## 1160 and 3176 Engine

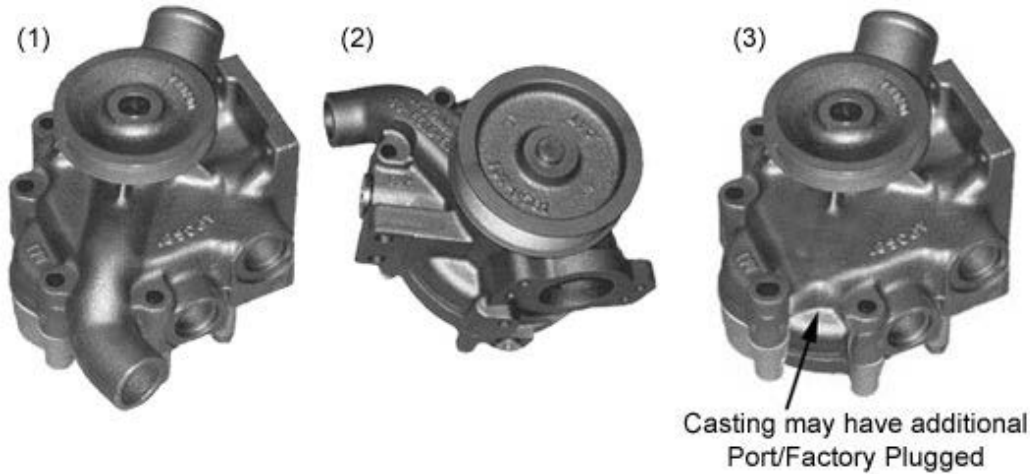
**Notes:**

- 1) Installation Kits listed later in this section.



SKU#	Product Description	MFG. #	Casting #	Notes	Approx. Weight	Pic. #	Core Group
RW4005X	Remanufactured Water Pump for Caterpillar 1160 Engine	9L7660	9N138	Pressed on Pulley	14 lbs.	1	WP1001
RW4009RX	Remanufactured Water Pump for Caterpillar 3176 Engine - CoreFree™	1025844 (9Y4361)	103-0745	Aluminum Housing & Cover	15 lbs.	2	-
RW4009X	Remanufactured Water Pump for Caterpillar 3176 Engine	1025844 (9Y4361)	103-0745	Aluminum Housing & Cover	15 lbs.	2	WP1054
RW4011RX	Remanufactured Water Pump for Caterpillar 3176B, C-10, C-12 Engines - CoreFree™	1006944 OR0705 OR3709 OR8767	105-4213 105-4214	Cast Iron Housing & Aluminum Cover	20 lbs.	3	-
RW4011X	Remanufactured Water Pump for Caterpillar 3176B, C-10, C-12 Engines	1006944 OR0705 OR3709 OR8767	105-4213 105-4214	Cast Iron Housing & Aluminum Cover	20 lbs.	3	WP1063

## 3116/3126 Engine



SKU#	Product Description	MFG. #	Casting #	Notes	Approx. Weight	Core Group	Pic. #
RW4015X	Remanufactured Water Pump for Caterpillar 3116/3126	4P3682 OR1011 OR1013 1208402 1593141 4P3682	4P3681 (Body) 7W3780 (Pulley)	3.75" Pulley Threaded Ports	15.8 lbs.	WP1066	1
RW4016X	Remanufactured Water Pump for Caterpillar 3116/3126	OR1015 4P3683 9Y5249	4P3681 (Body) 7C7890 (Pulley)	4.37" Pulley Threaded Ports	14.5 lbs.	WP1066	1
RW4017X	Remanufactured Water Pump for Caterpillar 3116/3126	227-4299 227-4301 10R5407	203-6093 Housing 226-6051 Backing Plate 197-9581 Pulley	Multi-Groove Pulley Pressed on Gear	15 lbs.	WP1067	2
RW4018X	Remanufactured Water Pump for Caterpillar 3116/3126	-	128-5121	3.75" Pulley Threaded Ports	14.5 lbs.	WP1066	3
RW6015	New Water Pump for Caterpillar 3116/3126	4P3682	4P3681 187-8957-00 7W3780	3.75" Pulley Threaded Ports	19.6 lbs.	-	1
RW6016	New Water Pump for Caterpillar 3116/3126	OR3007 4W0253 9V4879 OR1013 4P3683	4P3681 187-8957-00 7C7890 Pulley	4.37" Pulley Threaded Ports	14.5 lbs.	-	1

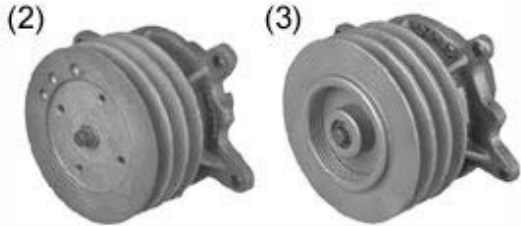


## 3208 Engine



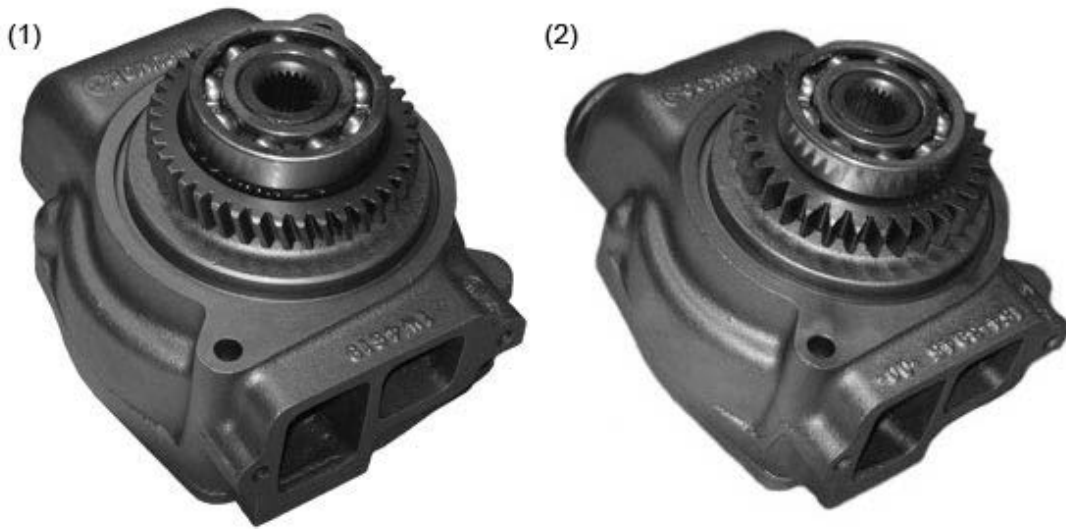
**Notes:**

- 1) Installation Kits listed later in this section.



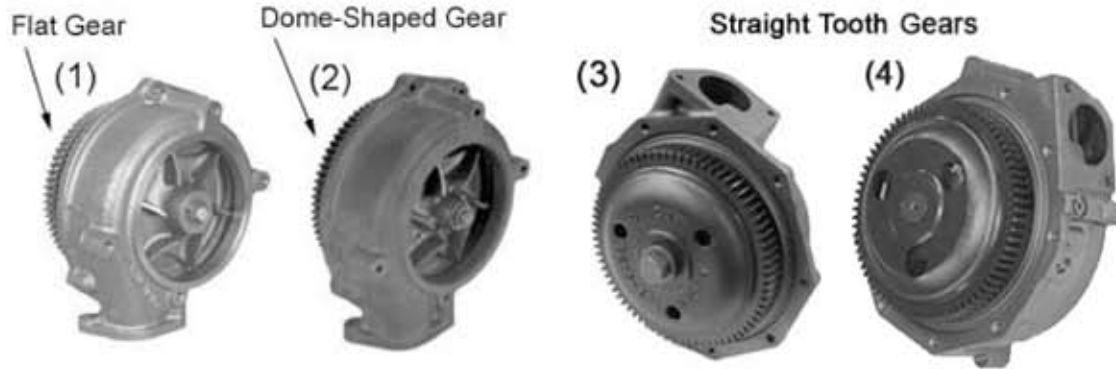
SKU#	Product Description	MFG. #	Casting #	Notes	Approx. Weight	Pic. #	Core Group
RW1162	New Water Pump for Caterpillar 3208 Engine	2W1225	9N3076	Bolt on Pulley (3 belt)	16.0 lbs.	2	-
RW1162RX	Remanufactured Water Pump for Caterpillar 3208 Engine - CoreFree™	2W1225	9N3076	Bolt on Pulley (3 belt)	16.0 lbs.	2	-
RW1162X	Remanufactured Water Pump for Caterpillar 3208 Engine	2W1225	9N3076	Bolt on Pulley (3 belt)	16.0 lbs.	2	WP1001
RW1407	New Caterpillar 3208 Water Pump	2W1227	9N3076	Threaded Pulley (for fan clutch)	17.5 lbs.	3	-
RW1407RX	Remanufactured Water Pump for Caterpillar 3208 Engine - CoreFree™	2W1227	9N3076	Threaded Pulley (for fan clutch)	17.5 lbs.	3	-
RW1407X	Remanufactured Water Pump for Caterpillar 3208 Engine	2W1227	9N3076	Threaded Pulley (for fan clutch)	17.5 lbs.	3	WP1001
RW4001X	Remanufactured Water Pump for Caterpillar 3208 Engine	2W1225 (9N6147)	9N3076	No Pulley	10.0 lbs.	1	WP1042

3306 Engine



SKU#	Product Description	MFG. #	Casting #	Notes	Approx. Weight	Pic. #	Core Group
RW4007X	Remanufactured Water Pump for Caterpillar 3306 Engine	6N8413	7N196 1W9619 172-7829 1543945	Angled Teeth	30.0 lbs.	1	WP1028
RW4008X	Remanufactured Water Pump for Caterpillar 3306 Engine	OR9493 OR8532 4P9862	7N196 1W9619 172-7829 1543945	Straight Teeth	29.0 lbs.	2	WP1028

## 3406, C15, C18 Engine



Installation Kits listed later in this section.

SKU#	Product Description	MFG. #	Casting #	Notes	Approx. Weight	Pic. #	Core Group
RW1017	Water Pump for Caterpillar C15, C18 – Straight Tooth Gear	10R2776 10R3326	244-3237	Pressed on Straight Gear, Press on Impeller, 8" impeller opening	40.0 lbs.	4	WP1055
RW1017X	Remanufactured Water Pump for Caterpillar C15, C18 – Straight Tooth Gear	10R2776 10R3326	244-3237	Pressed on Straight Gear, Press on Impeller, 8" impeller opening	40.0 lbs.	4	WP1055
RW1018X	Remanufactured Water Pump for Caterpillar C15, C18 ACERT, Strait Tooth Gear with cooler port	10R2776 10R3326	244-3237	Pressed on Straight Gear, Press on Impeller, 8" impeller opening R & R Only	40.0 lbs.	4	WP1056
RW1194	New Water Pump for Caterpillar 3406B/C Engine – Flat Gear	7W7019 7C4957 OR8217	9N5034	Gear Driven	40.0 lbs.	1	-
RW1194PRX	Premium Remanufactured Water Pump for Caterpillar 3406B/C Engine – Flat Gear – CoreFree <sup>Å</sup> ™	7W7019 7C4957 OR8217	9N5034	Gear Driven Premium Oil & Water Seal Design Includes basic O-rings and Gaskets for the Pump only	40.0 lbs.	1	-
RW1194PX	Premium Remanufactured Water Pump for Caterpillar 3406B/C Engine – Flat Gear	7W7019 7C4957 OR8217	9N5034	Gear Driven Premium Oil & Water Seal Design Includes basic O-rings and Gaskets for the Pump only	40.0 lbs.	1	WP1002
RW6012RX	Remanufactured Water Pump for Caterpillar 3406B/C/E Engine – Dome-Shaped Gear – CoreFree <sup>Å</sup> ™	613890 OR4120 OR8330 OR8218 10R0483	100-7479	Gear Driven Includes basic O-rings and Gaskets for the Pump only	39.5 lbs.	2	-
RW6012X	Remanufactured Water Pump for Caterpillar 3406B/C/E Engine – Dome-Shaped Gear	613890 OR4120 OR8330 OR8218 10R0483	100-7479	Gear Driven Includes basic O-rings and Gaskets for the Pump only	39.5 lbs.	2	WP1029

RW6014X	Remanufactured Water Pump for Caterpillar C15 - Straight Tooth Gear	10R0484	-	Bolt on Gear and Impeller 5.9" impeller opening Includes basic O-rings and Gaskets for the Pump only	40.0 lbs.	3	WP1068
---------	---	---------	---	--	-----------	---	--------

## C13 Acert



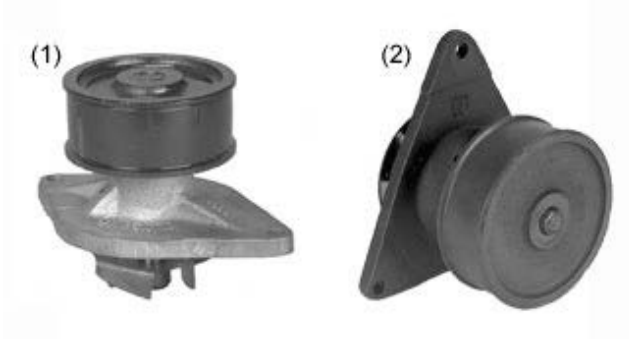
SKU#	Product Description	MFG#	Casting #	Core Group
RW4019X	Remanufactured Water Pump for Caterpillar C13 Acert Engine	10R2129	223-9145	WP1083

Installation Kits



SKU#	Product Description	Application	Notes	Pic. #
1162KIT	Installation Kit for Caterpillar 3208 Engine Water Pump	RW1162, RW1162X, RW1407X, RW4001X	-	4
1194KIT	Installation Kit for Caterpillar 3406 B/C Engines Water Pump	RW1194, RW1194PX, RW6012X, RW6014X	-	3
4009KIT	Installation Kit for Caterpillar 3176 Engine Water Pump	RW6009, RW4009X	-	5
RW1194BPK	Back Plate Kit for Caterpillar 3406 Water Pump	RW1194X, RW1194PX	-	2
RW5922K	Premium Installation Kit for 3406 B/C Engines Water Pump	RW1194, RW1194PX, RW6012X, RW6014X	Contains additional gaskets for water line plumbing.	1

## B & C-Series Engine



### Specifications:

**Approximate Weight** 7.0 lbs.

### Notes:

- 1) Installation Kits listed later in this section.

SKU#	Product Description	MFG. #	Casting #	Application	Pic. #	Core Group	New Part #
RW6075	New Water Pump for Cummins B-Series Engine	3802358 (3802004)	3913132	B-Series Engine 4 & 6 Cylinder	1	-	-
RW6075RX	Remanufactured Water Pump for Cummins B-Series Engine - CoreFree™	3802358 (3802004)	3913132	B-Series Engine 4 & 6 Cylinder	1	-	RW6075
RW6075X	Remanufactured Water Pump for Cummins B-Series Engine	3802358 (3802004)	3913132	B-Series Engine 4 & 6 Cylinder	1	WP1047	RW6075
RW6077	New Water Pump for Cummins C-Series Engine	3802081	3903357	C-Series Diesel Engine	2	-	-
RW6077RX	Remanufactured Water Pump for Cummins C-Series Engine - CoreFree™	3802081	3903357	C-Series Diesel Engine	2	-	RW6077
RW6077X	Remanufactured Water Pump for Cummins C-Series Engine	3802081	3903357	C-Series Diesel Engine	2	WP1043	RW6077

ISC & ISL Models



SKU#	Product Description	MFG. #	Casting #	Application	Approx. Weight	Core Group	New Part #	Application
RW6079	New Water Pump for Cummins Models ISC & ISL	3804927 3940052 4089647 (NX)	2370-10C	Models ISC & ISL 8.3 Liters	7.2 lbs.	-	-	8.9L
RW6079RX	Remanufactured Water Pump for Cummins Models ISC & ISL - CoreFree™	3804927 3940052 4089647 (NX)	2370-10C	Models ISC & ISL 8.3 Liters	7.2 lbs.	-	RW6079	8.9L
RW6079X	Remanufactured Water Pump for Cummins Models ISC & ISL	3804927 3940052 4089647 (NX)	2370-10C	Models ISC & ISL 8.3 Liters	7.2 lbs.	WP1050	RW6079	8.9L



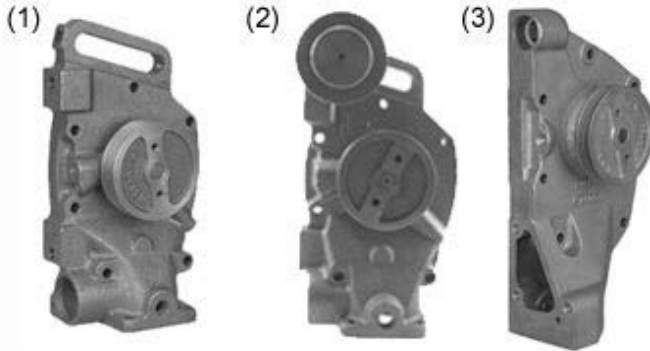
ISX Engine



RW6069 Shown

SKU#	Product Description	MFG. #	Casting #	Approx. Weight	Core Group
RW4068X	Remanufactured Water Pump for Cummins ISX Engine with a 12 Groove Pulley	4089910	2201-10C	40.0 lbs.	WP1007
RW4069X	Remanufactured Water Pump for Cummins ISX Engine with a 10 Groove Pulley	4026702	2201-10C	38.9 lbs.	WP1007
RW6066	New Water Pump for Cummins ISX Engine with a 12 Groove Pulley	4089910	2201-10C	36.0 lbs.	-
RW6069	New Water Pump for Cummins ISX Engine with a 10 Groove Pulley	4026702	2201-10C	35.0 lbs.	-

Big Cam Engine



Notes:

1) Installation Kits listed later in this section.

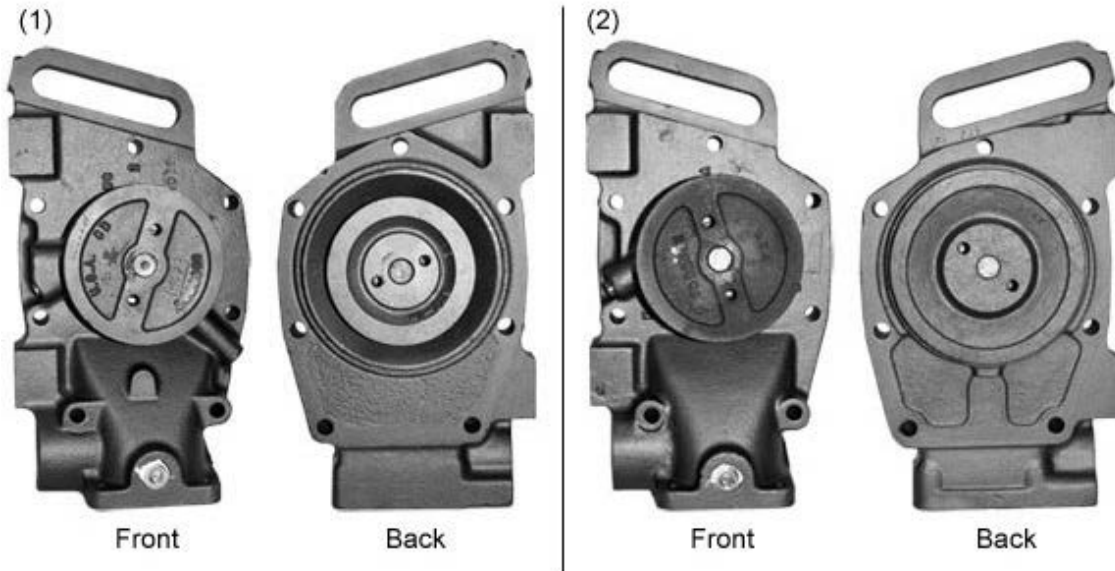
SKU#	Product Description	MFG. #	Casting #	Description	Application	Wt.	Pic. #	Core Group	New Part #
RW1061	New Water Pump for Cummins Big Cam III Engine	3004923	218274	Multi-Groove Pulley 4" Impeller Vented	NTC300, 350, 400; Formula 300, 350, 400, 475	26.0 lbs.	1	-	-
RW1061RX	Reman. Water Pump for Cummins Big Cam III Engine - CoreFree™	3004923	218274	Multi-Groove Pulley 4" Impeller Vented	NTC300, 350, 400; Formula 300, 350, 400, 475	26.0 lbs.	1	-	RW1061
RW1061X	Reman. Water Pump for Cummins Big Cam III Engine	3004923	218274	Multi-Groove Pulley 4" Impeller Vented	NTC300, 350, 400; Formula 300, 350, 400, 475	26.0 lbs.	1	WP1003	RW1061
RW1170	New Water Pump for Cummins Big Cam III, IV Engine	3022474 (3801788)	218274	4.675 Diameter Multi-Groove Pulley 4-1/2" Impeller Vented	NTC290, 350, 400; Formula 290, 350	26.0 lbs.	1	-	-
RW1170RX	Reman. Water Pump for Cummins Big Cam III, IV Engine - CoreFree™	3022474 (3801788)	218274	4.675 Diameter Multi-Groove Pulley 4-1/2" Impeller Vented	NTC290, 350, 400, Formula 290, 350	26.0 lbs.	1	-	RW1170
RW1170X	Reman. Water Pump for Cummins Big Cam III, IV Engine	3022474 (3801788)	218274	4.675 Diameter Multi-Groove Pulley 4-1/2" Impeller Vented	NTC290, 350, 400; Formula 290, 350	26.0 lbs.	1	WP1003	RW1170
RW1172	New Water Pump for Cummins Big Cam IV Engine	3801708	3045163	4.275 Diameter Multi-Groove Pulley 4-1/2" Impeller Vented	300, 350, 400, Fleet 300, NTC-Formula 300, 350, 400, NTC-475	27.0 lbs.	1	-	-
RW1172RX	Reman. Water Pump for Cummins Big Cam IV Engine - CoreFree™	3801708	3045163	4.275 Diameter Multi-Groove Pulley 4-1/2" Impeller Vented	300, 350, 400, Fleet 300, NTC-Formula 300, 350, 400, NTC-475	27.0 lbs.	1	-	RW1172
RW1172X	Reman. Water Pump for Cummins Big Cam IV Engine	3801708	3045163	4.275 Diameter Multi-Groove Pulley 4-1/2" Impeller Vented	300, 350, 400, Fleet 300, NTC-Formula 300, 350, 400, NTC-475	27.0 lbs.	1	WP1003	RW1172

## 20-WATER PUMPS

Cummins

RW1176	New Water Pump for Cummins 88 Big Cam IV Engine	3803138 (3803030)	3062899	Multi-Groove Pulley	NTC-300, 315, 350, 365, 400	23.5 lbs.	3	-	-
RW1176RX	Reman. Water Pump for Cummins 88 Big Cam IV Engine - CoreFree <sup>Å</sup> ™	3803138 (3803030)	3062899	Multi-Groove Pulley	NTC-300, 315, 350, 365, 400	23.5 lbs.	3	-	RW1176
RW1176X	Reman. Water Pump for Cummins 88 Big Cam IV Engine	3803138 (3803030)	3062899	Multi-Groove Pulley	NTC-300, 315, 350, 365, 400	23.5 lbs.	3	WP1031	RW1176
RW1177RX	Reman. Water Pump for Cummins Big Cam III (GMC) Engine - CoreFree <sup>Å</sup> ™	3027174	3045163	4" Impeller Multi-Groove Pulley	NTC 290, 350, 400	28.0 lbs.	1	-	RW6067
RW1177X	Reman. Water Pump for Cummins Big Cam III (GMC) Engine	3027174	3045163	4" Impeller Multi-Groove Pulley	NTC 290, 350, 400	28.0 lbs.	1	WP1003	RW6067
RW3000	New Water Pump for Cummins Big Cam Engine	3045943	3045163	Multi-Groove Pulley & Idler	-	30.0 lbs.	2	-	-
RW6067	New Water Pump for Cummins Big Cam III (GMC) Engine	3027174	3045163	4" Impeller Multi-Groove Pulley	NTC 290, 350, 400	28.0 lbs.	1	-	-

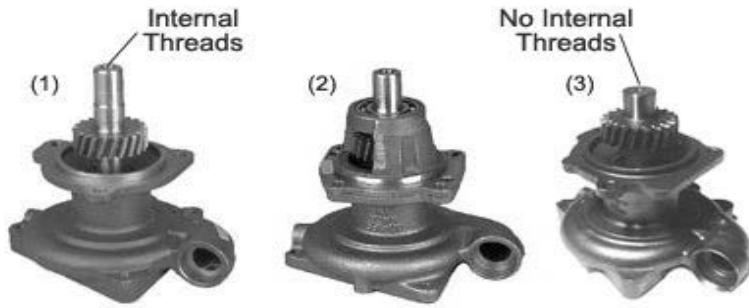
Small Cam Engine



Installation Kits listed later in this section

SKU#	Product Description	MFG. #	Casting #	Description	Application	Approx. Weight	Core Group	New Part #	Pic. #
RW1067RX	Remanufactured Water Pump for Cummins Small Cam FFC Engine - CoreFree™	3024671	-	Multi-Groove Pulley 4" Impeller Non-Vented	NTC230	26.4 lbs.	-	-	1
RW1067X	Remanufactured Water Pump for Cummins Small Cam FFC Engine	3024671	-	Multi-Groove Pulley 4" Impeller Non-Vented	NTC230	26.4 lbs.	WP1003	-	1
RW1171	New Water Pump for Cummins Small Cam FFC Engine	3000886 3801784 (AR45090)	219040 210238	7 Hole Mount 2 Groove Pulley 5-1/4" Impeller Non-Vented	NTC270-CT, 290, 290R, 350, 355; NT855-C280, C310, C360, NT310	28.0 lbs.	-	-	2
RW1171RX	Remanufactured Water Pump for Cummins Small Cam FFC Engine - CoreFree™	3000886 3801784 (AR45090)	219040 210238	7 Hole Mount 2 Groove Pulley 5-1/4" Impeller Non-Vented	NTC270-CT, 290, 290R, 350, 355; NT855-C280, C310, C360, NT310	28.0 lbs.	-	RW1171	2
RW1171X	Remanufactured Water Pump for Cummins Small Cam FFC Engine	3000886 3801784 (AR45090)	219040 210238	7 Hole Mount 2 Groove Pulley 5-1/4" Impeller Non-Vented	NTC270-CT, 290, 290R, 350, 355; NT855-C280, C310, C360, NT310	28.0 lbs.	WP1003	RW1171	2

L-10 and M-11 Engine

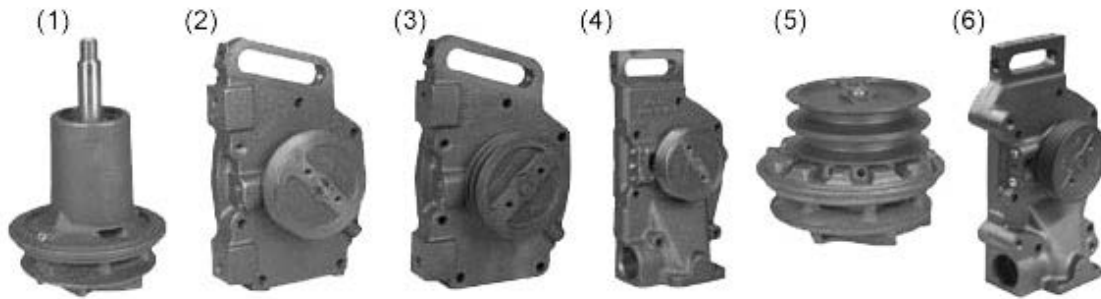


Notes:

- 1) Needle Bearing Kit not supplied with **RW4076X** and **RW4076RX**.
- 2) Installation Kits listed later in this section.

SKU#	Product Description	MFG. #	Casting #	Description	Application	Approx. Weight	Pic. #	Core Group	New Part #
RW1178RX	Reman. Water Pump for Cummins LTA10 Series and M-11 Engine; Before 1991 - CoreFree <sup>Å</sup> ™	3803402 (3801840)	3039182	4-Hole Mount	LTA10-240, 270, 300 Engines	21 lbs.	2	-	RW6068
RW1178X	Reman. Water Pump for Cummins LTA10 Series and M-11 Engine; Before 1991	3803402 (3801840)	3039182	4-Hole Mount	LTA10-240, 270, 300 Engines	21 lbs.	2	WP1034	RW6068
RW4076RX	Reman. Water Pump for Cummins L-10 Series and M-11 Engine; 1991 and After - CoreFree <sup>Å</sup> ™	3803403	3882615	3-Hole Mount	L10-310E L10-330E Engines	18 lbs.	1	-	RW6076
RW4076X	Reman. Water Pump for Cummins L-10 Series and M-11 Engine; 1991 and After	3803403	3882615	3-Hole Mount	L10-310E L10-330E Engines	18 lbs.	1	WP1034	RW6076
RW4077X	Reman. Water Pump for Cummins M-11 ISM Application - Short Shaft	3800745	-	3-Hole Mount Short Shaft	-	18 lbs.	3	WP1065	-
RW6068	New Water Pump for Cummins LTA10 Series and M-11 Engine; Before 1991	3803402 (3801840)	3039182	4-Hole Mount	LTA10-240, 270, 300 Engines	21 lbs.	2	-	-
RW6076	New Water Pump for Cummins L-10 Series Engine; 1991 and After	3803403	3882615	3-Hole Mount	L10-310E L10-330E Engines	18 lbs.	1	-	-

**N-Series Engine**



**Installation Kits listed later in this section**

SKU#	Product Description	MFG. #	Casting #	Description	Application	Approx. Weight	Pic. #	Core Group	New Part #
RW1073RX	Reman. Water Pump for Cummins N14 Series Engine - CoreFree™	3803605 (3803361)	3069644 3076523	Multi-Groove Pulley	N14-310, 330, 350, 370, 410 Engines	26.0 lbs.	4	-	RW6073
RW1073VX	Reman. Water Pump for Cummins N14 - Volvo Application	3804826RX	3084024	Multi-Groove Pulley	N14 - Volvo	27.8 lbs.	6	WP1045	-
RW1073X	Reman. Water Pump for Cummins N14 Series Engine	3803605 (3803361)	3069644 3076523	Multi-Groove Pulley	N14-310, 330, 350, 370, 410 Engines	26.0 lbs.	4	WP1045	RW6073
RW1174	New Water Pump for Cummins NH, NT, & NTC Non-FFC Engines	AR4284	196845	With Pulley Pancake 5-1/2" Bore Short Shaft	NH230, NH250, NHC270, NHE225 Diesel, NT280, NT300, NT310, NT335, NT380, NTA380, NTC280, NTC335, NTC350 Diesel Engines	13.0 lbs.	5	-	-
RW1174RX	Reman. Water Pump for Cummins NH, NT & NTC Non-FFC Engines - CoreFree™	AR4284	196845	With Pulley Pancake 5-1/2" Bore Short Shaft	NH230, NH250, NHC270, NHE225 Diesel, NT280, NT300, NT310, NT335, NT380, NTA380, NTC280, NTC335, NTC350 Diesel Engines	13.0 lbs.	5	-	RW1174
RW1174X	Reman. Water Pump for Cummins NH, NT & NTC Non-FFC Engines	AR4284	196845	With Pulley Pancake 5-1/2" Bore Short Shaft	NH230, NH250, NHC270, NHE225 Diesel, NT280, NT300, NT310, NT335, NT380, NTA380, NTC280, NTC335, NTC350 Diesel Engines	13.0 lbs.	5	WP1004	RW1174

## 20-WATER PUMPS

Cummins

RW1179X	Reman. Water Pump for Cummins NTC230 Engine (Short Suitcase Style)	AR45073 (3022471)	3002520	2-Groove Pulley 4" Impeller	NTC Formula 230 Engine	23.0 lbs.	3	WP1005	-
RW1195X	Reman. Water Pump for Cummins NTC230 Engine (Short Suitcase Style)	3027882	3002520	Multi-Groove Pulley 4" Impeller	NTC Formula 230 Engine	24.3 lbs.	2	WP1005	-
RW1198RX	Reman. Water Pump for Cummins NH, NT & NTC Non-FFC Engines - CoreFree™	AR4283	196845	Without Pulley Pancake 5-1/2" Bore Short Shaft	NH230, NH250, NHC270, NHE225 Diesel, NT280, NT300, NT310, NT335, NT380, NTA380, NTC280, NTC335, NTC350 Diesel Engines	14.0 lbs.	5	-	-
RW1198X	Remanufactured Water Pump for Cummins NH, NT & NTC Engines	AR4283	196845	Without Pulley Pancake 5-1/2" Bore Short Shaft	NH230, NH250, NHC270, NHE225 Diesel, NT280, NT300, NT310, NT335, NT380, NTA380, NTC280, NTC335, NTC350 Diesel Engines	14.0 lbs.	5	WP1004	-
RW4054X	Reman. Water Pump for Cummins NT & NTC Engine	AR4547	196830	5-1/2" Bore 1-3/4" Shaft (from bearing surface to step on shaft just below threads)	NT & NTC Engines	18.0 lbs.	1	WP1044	-
RW4055X	Reman. Water Pump for Cummins NT & NTC Engine	AR4548	196830	5-1/2" Bore 2-1/4" Shaft (from bearing surface to step on shaft just below threads)	NT & NTC Engines	18.0 lbs.	1	WP1044	-
RW6063	New Water Pump for Cummins N Series Engine	AR51360	-	-	N Series Engines	18.0 lbs.	-	-	-
RW6073	New Water Pump for Cummins N14 Series Engine	3803605 (3803361)	3069644	Multi-Groove Pulley	N14-310, 330, 350, 370, 410 Engines	26.0 lbs.	4	-	-

VT903 Engine



SKU#	Product Description	Manufacturer's Number	Casting Number	Description	Approximate Weight	Core Group
RW1903X	Remanufactured Water Pump for Cummins VT903 Engine	AR5664	196960	3-Belt Pulley	28 lbs.	WP1041



## Cummins: D Series Engine



SKU#	Product Description	Manufacturer's Part Number	Application	Casting Number	Approximate Weight	Core Group
RW1994	New Water Pump for Cummins D Series Engine	3800984	D Series Engine 5.9, 6.7L	-	7 lbs.	-

ISB



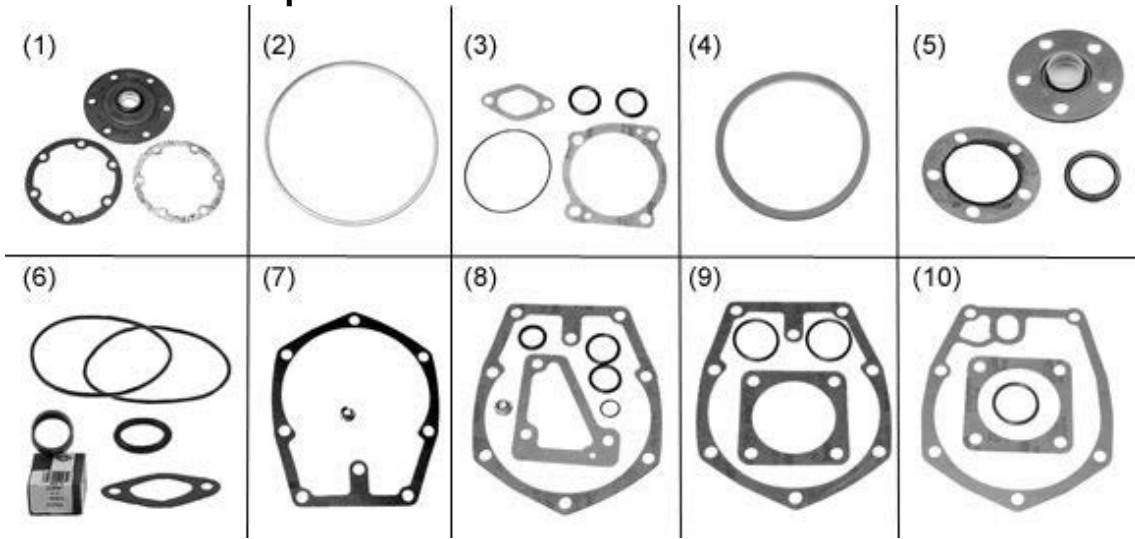
SKU#	Product Description	Manufacturer's Number	Casting #	Application
RW2060	New Water Pump for Cummins ISB	4955394NX		

## Idlers



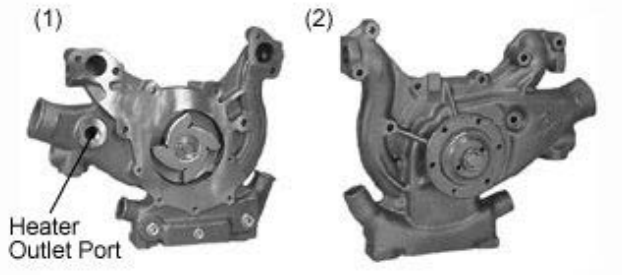
SKU#	Product Description	MFG. #	Casting #	Description	Approx. Weight	Pic. #	Core Group	New Part #
RW1074X	Reman. Idler for Cummins N-14 Engine	3066330	-	Multi-Groove Pulley	4.0 lbs.	3	WP1052	RW6074
RW1173	New Idler for Cummins Big Cam Engine	AR45189	215397	Multi-Groove Pulley	4.0 lbs.	6	-	-
RW1173RX	Reman. Idler for Cummins Big Cam Engine - CoreFree™	3064919 (AR45189)	215397	Multi-Groove Pulley	4.0 lbs.	6	-	RW1173
RW1173X	Reman. Idler for Cummins Big Cam Engine	3064919 (AR45189)	215397	Multi-Groove Pulley	4.0 lbs.	6	WP1006	RW1173
RW1175	New Idler for Cummins Small Cam Engine	3064920 (AR8851)	208118	2 Belt Pulley	4.0 lbs.	4	-	-
RW1175RX	Reman. Idler for Cummins Small Cam Engine - CoreFree™	3064920 (AR8851)	208118	2 Belt Pulley	4.0 lbs.	4	-	RW1175
RW1175X	Reman. Idler for Cummins Small Cam Engine	3064920 (AR8851)	208118	2 Belt Pulley	4.0 lbs.	4	WP1006	RW1175
RW4070RX	Reman. Idler for Cummins 88 Big Cam IV Engine - CoreFree™	3065000	-	Stamped Pulley	2.7 lbs.	5	-	RW6070
RW4070X	Reman. Idler for Cummins 88 Big Cam IV Engine	3065000	-	Stamped Pulley	2.7 lbs.	5	WP1038	RW6070
RW4071RX	Reman. Idler for Cummins 88 Big Cam IV Engine - CoreFree™	3062931 (3053537)	3064201	Multi-Groove Pulley	3.3 lbs.	2	-	RW6071
RW4071X	Reman. Idler for Cummins 88 Big Cam IV Engine	3062931 (3053537)	3064201	Multi-Groove Pulley	3.3 lbs.	2	WP1038	RW6071
RW6070	New Idler for Cummins 88 Big Cam IV Engine	3065000	-	Stamped Pulley	2.7 lbs.	5	-	-
RW6071	New Idler for Cummins 88 Big Cam IV Engine	3062931 (AR8851)	3064201	Multi-Groove Pulley	3.3 lbs.	2	-	-
RW6074	New Idler for Cummins N-14 Engine	3066330	-	Multi-Groove Pulley	4.0 lbs.	3	-	-
RW6078	New Idler for Cummins L-10 Engine	3062602	3060884	-	5.9 lbs.	1	-	-
RW6078X	Reman. Idler for Cummins L-10 Engine	3062602	3060884	-	5.9 lbs.	1	WP1032	RW6078

Installation and Repair Kits



SKU#	Product Description	Application	Pic. #
1073KIT	Gasket Kit for Cummins N-14 Engine Water Pump	RW6073, RW1073X	10
1172KIT	Gasket Kit for Cummins Small Cam & Big Cam III, IV Engines Water Pump	RW1170, RW1170X, RW1171, RW1171X, RW1172, RW1172X, RW1176, RW1176X, RW1177, RW3000, RW6061	9
1174KIT	Gasket Kit for Cummins NH, NT, & NTC Engines Water Pump	RW1174, RW1174X, RW1198X, RW4054X, RW4055X	2
1176KIT	Installation Kit for Cummins 88 Big Cam IV Engine Water Pump	RW1176X	8
1178KIT	Gasket Kit for Cummins L-10 Engine Water Pump	RW6068, RW1178X	3
1179KIT	Gasket Kit for Cummins NTC230 Engine Water Pump	RW1179, RW1179X, RW1195, RW1195X	7
4076KIT	Gasket Kit for Cummins L-10 Engine Water Pump	RW6076, RW4076X , RW4077X	6
6075KIT	Installation Kit for Cummins B Series Engine Water Pump	RW6075X	4
RW5072K	Front Gear Cover Seal Kit for Cummins LTA10 Series before 1991	RW1178X, RW6068, RW6076	1
RW5079K	Front Gear Cover Kit for Cummins L-10 Engine	RW4076X , RW4077X	5

8.2 Liter Engine



Notes:

- 1) Installation Kit listed later in this section.

SKU#	Product Description	MFG. #	Casting #	Description	Approx. Weight	Pic. #	Core Group	New Part #
RW1119RX	Reman. Water Pump for Detroit Diesel 8.2 Liter Engine – CoreFree™	8928672 8926904	8828804	No Pulley With Heater Outlet	31.0 lbs.	1	-	RW6119
RW1119X	Reman. Water Pump for Detroit Diesel 8.2 Liter Engine	8928672 8926904	8828804	No Pulley With Heater Outlet	31.0 lbs.	1	WP1030	RW6119
RW1120RX	Reman. Water Pump for Detroit Diesel 8.2 Liter Engine – CoreFree™	8922302	8820383 8924657	No Pulley Without Heater Outlet	28.6 lbs.	2	-	-
RW1120X	Reman. Water Pump for Detroit Diesel 8.2 Liter Engine	8922302	8820383 8924657	No Pulley Without Heater Outlet	28.6 lbs.	2	WP1053	-
RW6119	New Water Pump for Detroit Diesel 8.2 Liter Engine	8928672 8926904	8828804	<b>New</b> No Pulley With Heater Outlet	31.0 lbs.	1	-	-

53 Series Engine



RW1183X  
Right Hand



RW1180X  
Left Hand

Specifications:

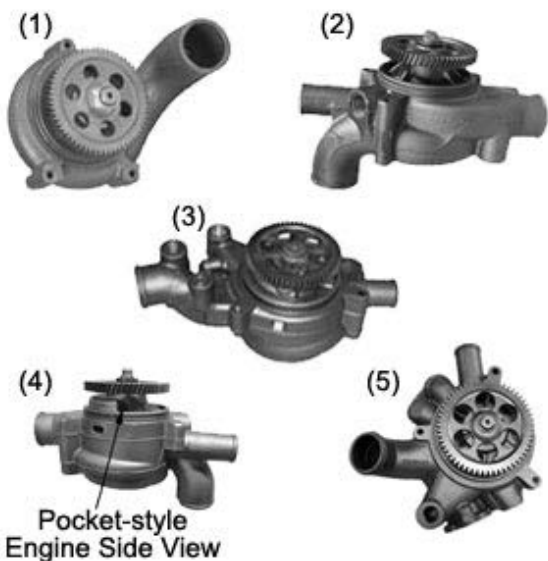
Approximate Weight 13.3 lbs.

Notes:

- 1) Installation Kit listed later in this section.

SKU#	Product Description	Manufacturer's Number	Casting Number	Description	Core Group
RW1180X	Remanufactured Water Pump for Detroit Diesel 53 Series Engine	5144685	5144688	Left Hand 2-Belt Pulley	WP1008
RW1183X	Remanufactured Water Pump for Detroit Diesel 53 Series Engine	5144686	5144689	Right Hand 2-Belt Pulley	WP1008

## 60 Series Engine



### Notes:

- 1) Installation Kits listed later in this section.
- 2) RW4123X (High Capacity) includes a 6 vane impeller and is recommended by the OE manufacturer.
- 3) **SPECIAL NOTE:** When replacing the water pump on a Detroit 60 Series engine, always check for excessive Bull Gear Runout (wear). Excessive runout will lead to premature water pump failure. \*Refer to Mfg. Specifications for acceptable Runout and Bull Gear Replacement Guidelines.

Failure to Replace Worn Bull Gear may result in:

- Excessive gear wear and chipped/broken teeth
- Broken casting near bearing journal
- Failed Bearings

SKU#	Product Description	MFG. #	Casting #	Description	Approx. Weight	Pic. #	Core Group	New Part #
RW1160RX	Reman. Water Pump for Detroit Diesel 60 Series Engine prior to 12/90 - CoreFree <sup>Å</sup> ™	23509067 (23505019)	23505018	Premium Seal Gear Driven	22.8 lbs.	1	-	-
RW1160X	Reman. Water Pump for Detroit Diesel 60 Series Engine prior to 12/90	23509067 (23505019)	23505018	Premium Seal Gear Driven	22.8 lbs.	1	WP1039	-
RW4122PRX	Premium Reman. Water Pump for Detroit Diesel 60 Series Engine after 12/90 - CoreFree <sup>Å</sup> ™	23505895 23520136 R3518216	23505894	Premium Seal Metal Back Plate/Seal Gear Driven Std. Flow Capacity 7 Vane Impeller	31.3 lbs.	2	-	-
RW4122PX	Premium Reman. Water Pump for Detroit Diesel 60 Series Engine after 12/90	23505895 23520136 R3518216	23505894	Premium Seal Metal Back Plate/Seal Gear Driven Std. Flow Capacity 7 Vane Impeller	31.3 lbs.	2	WP1048	-
RW4122RX	Reman. Water Pump for Detroit Diesel 60 Series Engine after 12/90 - CoreFree <sup>Å</sup> ™	23505895 23520136 R3518216	23505894	Premium Seal Gear Driven Std. Flow Capacity 7 Vane Impeller	30.7 lbs.	2	-	-
RW4122X	Reman. Water Pump for Detroit Diesel 60 Series Engine after 12/90	23505895 23520136 R3518216	23505894	Premium Seal Gear Driven Std. Flow Capacity 7 Vane Impeller	30.7 lbs.	2	WP1048	-
RW4123PRX	Premium Reman. Water Pump for Detroit Diesel 60 Series Engine - CoreFree <sup>Å</sup> ™	23522707	23512027	Premium Seal Metal Back Plate/Seal High Flow Capacity 6 Vane Impeller	30.8 lbs.	2	-	-

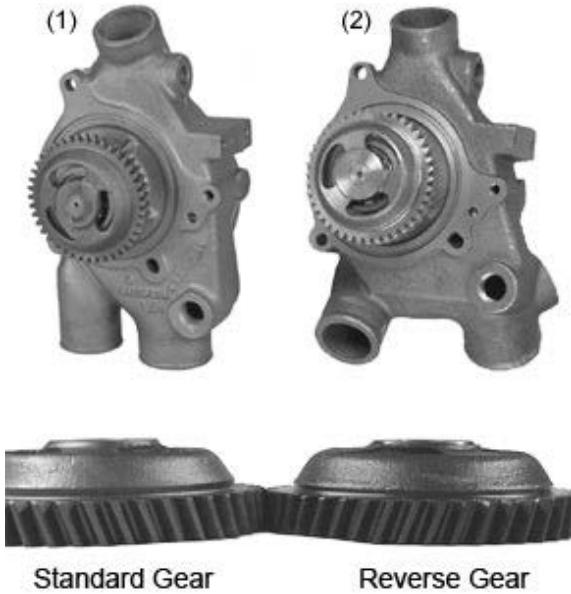
RW4123PX	Premium Reman. Water Pump for Detroit Diesel 60 Series Engine	23522707	23512027	Premium Seal Metal Back Plate/Seal High Flow Capacity 6 Vane Impeller	30.8 lbs.	2	WP1048	-
RW4123RX	Reman. Water Pump for Detroit Diesel 60 Series Engine - CoreFree™	23522707	23512027	Premium Seal Plastic Back Plate High Flow Capacity 6 Vane Impeller	30.8 lbs.	2	-	-
RW4123X	Reman. Water Pump for Detroit Diesel 60 Series Engine	23522707	23512027	Premium Seal Plastic Back Plate High Flow Capacity 6 Vane Impeller	30.8 lbs.	2	WP1048	-
RW4124X	Reman. Water Pump for Detroit Diesel 60 Series Engine with EGR (Exhaust Gas Recirculation)	23531257	23530427	Stamped Steel Impeller 61 Tooth Drive Gear	34 lbs.	3	WP1021	RW6124
RW4125PRX	Reman. Water Pump for Detroit Diesel 60 Series Engine "Pocket Style" - CoreFree™	-	23522721	High Flow Capacity 6 Vane Impeller "Pocket Style"	31 lbs.	2 and 4	-	RW6127
RW4125PX	Reman. Water Pump for Detroit Diesel 60 Series Engine "Pocket Style"	-	23522721	High Flow Capacity 6 Vane Impeller "Pocket Style"	31 lbs.	2 and 4	WP1048	RW6127
RW4126X	Reman. Water Pump for Detroit Diesel 60 Series Engine with EGR	23531258 23532543	-	With EGR Port	36.0 lbs.	5	WP1082	RW6126
RW6126	New Water Pump for Detroit Diesel 60 Series Engine with EGR	23531258 23532543	-	With EGR Port	36.0 lbs.	5	-	-
RW6127	New Water Pump for Detroit Diesel 60 Series Engine "Pocket Style"	-	23522721	High Flow Capacity 6 Vane Impeller "Pocket Style"	31 lbs.	2 and 4	-	-



71 Series Engine

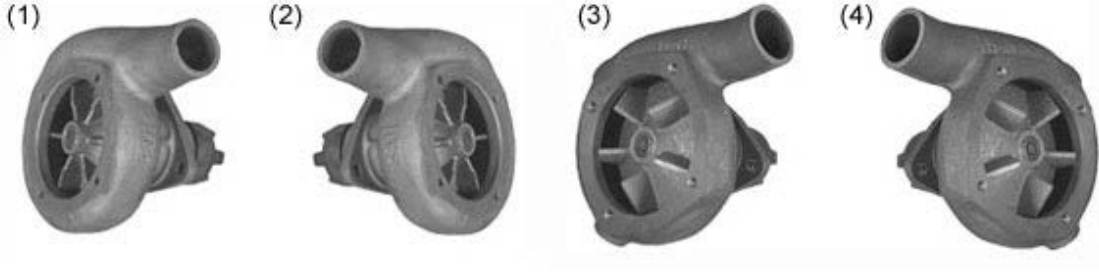
Notes:

- 1) Installation Kit listed later in this section.



SKU#	Product Description	MFG. #	Casting #	Description	Approx. Weight	Pic. #	Core Group
RW1184X	Reman. Water Pump for Detroit Diesel 6V & 8V 71 Series Engine	5149328	5117921	1-7/8" & 2-1/4" I.D. Outlets Standing Standard Capacity 2 Straight Outlet Pipes	26.8 lbs.	1	WP1011
RW1185X	Reman. Water Pump for Detroit Diesel 71 Series Engine	5149329	5142273	Standard Capacity Running 2 Outlet Pipes at 45°	25.0 lbs.	2	WP1012
RW1186X	Reman. Water Pump for Detroit Diesel 8V 71 Series Engine	5149326	5135455	1-7/8" & 2-1/4" I.D. Outlets Standing High Capacity 2 Straight Outlet Pipes	26.9 lbs.	1	WP1011
RW1187X	Reman. Water Pump for Detroit Diesel 71 Series Engine	5149327	5142273	High Capacity Running 2 Outlet Pipes at 45°	27.0 lbs.	2	WP1012
RW1196X	Reman. Water Pump for Detroit Diesel 8V 71 Series Engine	5149382	5135455	1-7/8" & 2-1/4" I.D. Outlets Standing High Capacity 2 Straight Outlet Pipes with Reverse Gear	25.8 lbs.	1	WP1011

71 Series In-Line Engine



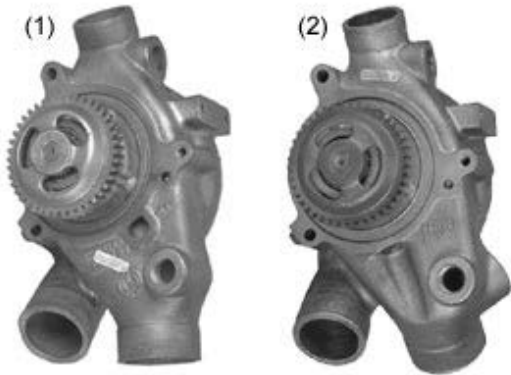
Installation Kit listed later in this section

SKU#	Product Description	MFG. #	Casting #	Description	Approx. Weight	Pic. #	Core Group
RW1181	New Water Pump for Detroit Diesel 71 Series In-Line Engine	5149707	5186574	Right Side Standard Capacity	6.9 lbs.	2	-
RW1181RX	Reman. Water Pump for Detroit Diesel 71 Series In-Line Engine - CoreFree™	5149707	5186574	Right Side Standard Capacity	6.7 lbs.	2	-
RW1181X	Reman. Water Pump for Detroit Diesel 71 Series In-Line Engine	5149707	5186574	Right Side Standard Capacity	6.7 lbs.	2	WP1009
RW1182RX	Reman. Water Pump for Detroit Diesel 71 Series In-Line Engine - CoreFree™	5149706	5186573	Left Side Standard Capacity	6.8 lbs.	1	-
RW1182X	Reman. Water Pump for Detroit Diesel 71 Series In-Line Engine	5149706	5186573	Left Side Standard Capacity	6.8 lbs.	1	WP1009
RW1192X	Reman. Water Pump for Detroit Diesel 71 Series In-Line Engine	5149708	5182070	Right Hand 3/8" Thread High Capacity Applications normally used with Turbo	6.9 lbs.	4	WP1010
RW1193X	Reman. Water Pump for Detroit Diesel 71 Series In-Line Engine	5149710	5182069	Left Hand 3/8" Thread High Capacity Applications normally used with Turbo	6.8 lbs.	3	WP1010
RW1197X	Reman. Water Pump for Detroit Diesel 71 Series In-Line Engine	5149708	5182070	Right Hand 1/4" Thread High Capacity Applications normally used with Turbo	7.0 lbs.	4	WP1036

92 Series Engine

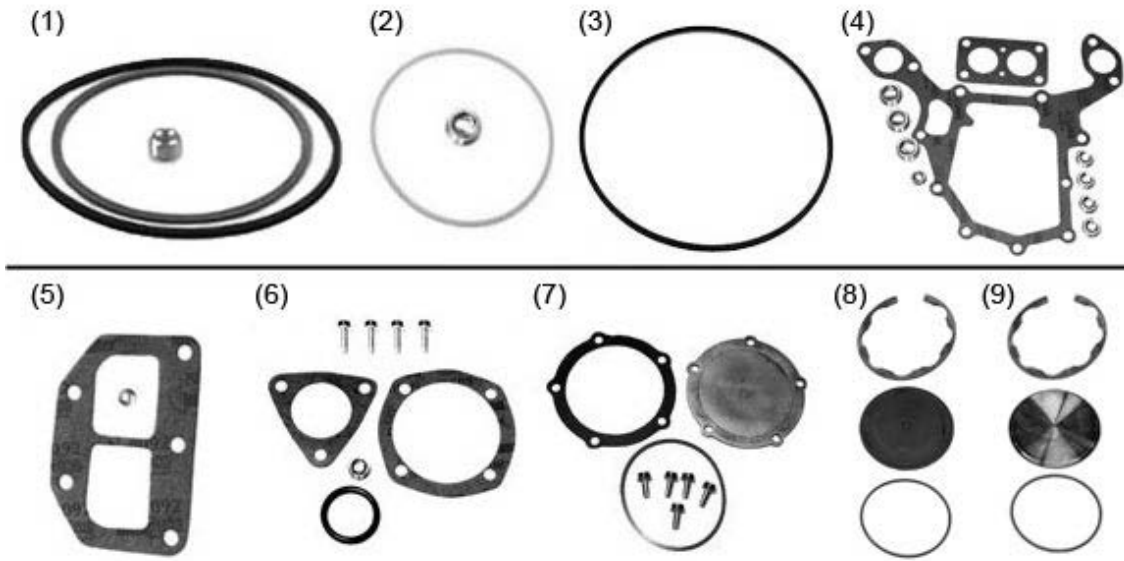
Notes:

- 1) Installation Kit listed later in this section.



SKU#	Product Description	MFG. #	Casting #	Description	Approx. Weight	Pic. #	Core Group
RW1188X	Reman. Water Pump for Detroit Diesel 92 Series Engine	8921104	8921099	Gear Driven Running 2 Outlet Pipes at 45° Snap Ring Cover	31 lbs.	2	WP1014
RW1189RX	Reman. Water Pump for Detroit Diesel 6V & 8V 92 Series Engine - CoreFree™	8921105	8921100, 5101261	2-1/4" & 2-1/2" I.D. Outlets Walking 1 Straight & 1@ 45° Outlet Pipe Snap Ring Cover	28 lbs.	1	-
RW1189X	Reman. Water Pump for Detroit Diesel 6V & 8V 92 Series Engine	8921105	8921100, 5101261	2-1/4" & 2-1/2" I.D. Outlets Walking 1 Straight & 1@ 45° Outlet Pipe Snap Ring Cover	28 lbs.	1	WP1013

Installation and Repair Kits



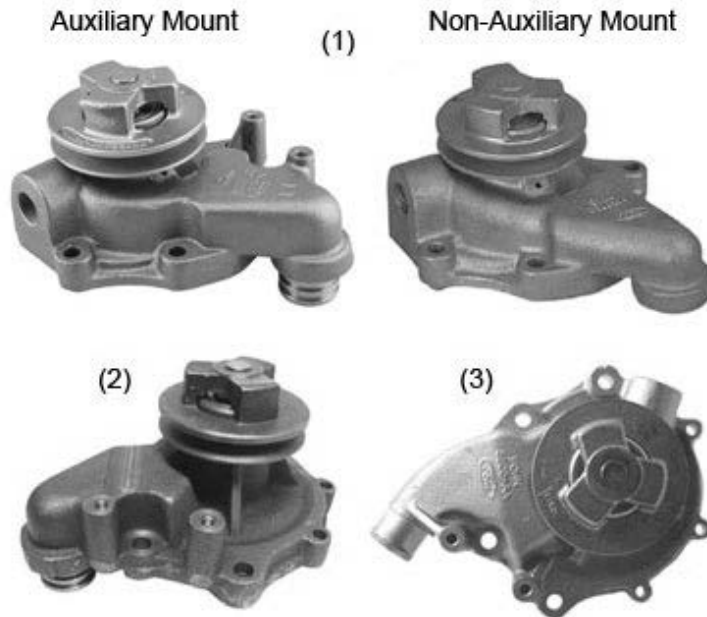
SKU#	Product Description	Application	Pic. #
1119KIT	Bracket Kit for Detroit Diesel 8.2 Liter Engine Water Pump	RW6119, RW1119X, RW1120X	4
1160KIT	Gasket Kit for Detroit Diesel 60 Series Engine Water Pump	RW6121, RW1160X	1
1180KIT	Gasket Kit for Detroit Diesel 53 Series Engine Water Pump	RW1180X, RW1183X	5
1181KIT	Gasket Kit for Detroit Diesel 71 Series Engine Water Pump	RW1181, RW1181X, RW1182, RW1182X	6
1184KIT	Gasket Kit for Detroit Diesel 71 Series Engines Water Pump	RW1184X, RW1185X, RW1186X, RW1187X, RW1196X	7
1189KIT	Gasket Kit for Detroit Diesel Engine – 92 Series Water Pump	RW1188, RW1189	3
4122KIT	Gasket Kit for Detroit Diesel 60 Series Engine Water Pump	RW6122, RW4122X	2
RW4122PLK	Plastic Backing Plate Kit for Detroit Diesel 60 Series Engine Water Pump	RW6122, RW4122X	8
RW4122STK	Steel Backing Plate Kit for Detroit Diesel 60 Series Engine Water Pump	RW6122, RW4122X	9

## Ford: 7.3L Engines



SKU#	Product Description	Application	Casting Number	Manufacturer's Number	Approximate Weight	Core Group	Picture Number
RW1923	New Water Pump for Ford 7.3L Engine	1996 - 2007 7.3L	-	YC3Z8501CA	-	-	

6.6 and 7.8 Liter Engine



Installation Kit listed later in this section.

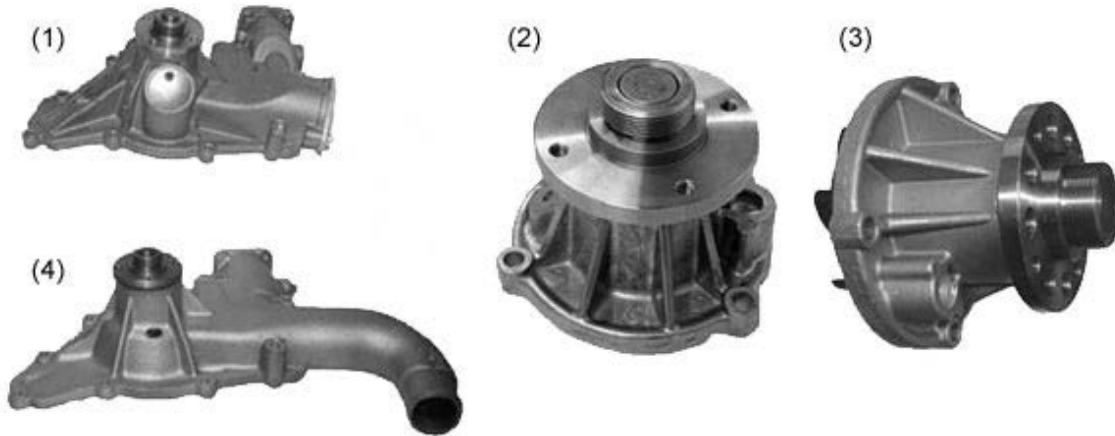
SKU#	Product Description	Manufacturer's Number	Casting Number	Description	Approx. Weight	Core Group	Pic. #
RW1760RX	Reman. Water Pump for Ford 6.6 & 7.8 Liter Engines - CoreFree™	E9TZ8501B	E7HN8508AA	Auxiliary Mount 3/4" Outlet Cab Over	18.4 lbs.	-	1
RW1760X	Reman. Water Pump for Ford 6.6 & 7.8 Liter Engines	E9TZ8501B	E7HN8508AA	Auxiliary Mount 3/4" Outlet Cab Over	18.4 lbs.	WP1046	1
RW1761RX	Reman. Water Pump for Ford 6.6 & 7.8 Liter Engines - CoreFree™	E7TZ8501A	E5HN8508AB	Non-Auxiliary Mount 1" Outlet Conventional Cab	16.8 lbs.	-	1
RW1761X	Reman. Water Pump for Ford 6.6 & 7.8 Liter Engines	E7TZ8501A	E5HN8508AB	Non-Auxiliary Mount 1" Outlet Conventional Cab	16.8 lbs.	WP1058	1
RW1762	New Water Pump for Ford 7.8 Liter Engine	F1HZ8501CRM	F0HN8505AA	91-93 Ford Truck (94 F600 only) w/o Pump Mounted Fan	16.2 lbs.	-	3
RW1762X	Reman. Water Pump for Ford 7.8 Liter Engine	F1HZ8501CRM	F0HN8505AA	91-93 Ford Truck (94 F600 only) w/o Pump Mounted Fan	16.2 lbs.	WP1061	3
RW6314	New Water Pump for Ford 6.6 & 7.8 Liter (Brazilian)	E7HN8A513AB E8HZ8501B	-	-	16 lbs.	-	2
RW885	New Water Pump for Ford 7.8L Engine	E1HZ8501DRM	-	1991-1995 6.6L FTL600-900 exc 210HP) / B-C-CF-F800	21 lbs.	-	-

## Installation Kits



SKU#	Product Description	Application
1760KIT	Gasket Kit for Ford 6.6 & 7.8 Engine Water Pump	RW1760X, RW1761X, RW1762X

Ford Powerstroke



SKU#	Product Description	Application	Casting Number	OEM Part Numbers	Approx. Weight	Core Group	Pic. #
RW1767	New Water Pump for Ford Powerstroke – 7.3L (466) DI Turbo Diesel Engine	2000–2002 E150/E350 2000–2002 Excursion 1996–2002 F250, F350, F450, F550 Super Duty 1996–1997 F53/59 Stripped Chassis	1831005C2	F6TZ–8501AA F7TZ–8501BRM F81Z–8501A F81Z–8501B F81Z–8501CRM F81Z–8501FA F7TZ–8501B F7TZ–8501C	11 lbs.	–	1
RW1767X	Reman. Water Pump for Ford Powerstroke – 7.3L (466) DI Turbo Diesel Engine	2000–2002 E150/E350 2000–2002 Excursion 1996–2002 F250, F350, F450, F550 Super Duty 1996–1997 F53/59 Stripped Chassis	1831005C2	F6TZ–8501AA F7TZ–8501BRM F81Z–8501A F81Z–8501B F81Z–8501CRM F81Z–8501FA F7TZ–8501B F7TZ–8501C	11 lbs.	WP1064	1
RW1768	New Water Pump for Ford Powerstroke – 6.0L Turbo Diesel Engine	2003–June 2004 Super Duty	–	3C3Z8501A	7 lbs.	–	2
RW1769	New Water Pump for Ford Powerstroke – 6.0L Turbo Diesel Engine	July 2004–Present Super Duty	–	4C3Z8501AB	7 lbs.	–	3
RW1786	New Water Pump for Ford Powerstroke – 6.0L Turbo Diesel Engine	2003 – 2010 6.0L Super Duty	–	4C4Z–8501AARM	7 lbs.	–	–
RW1917	New Water Pump for Ford Powerstroke 6.4L	2008–2010 Super Duty	–	8C3Z8501C	7lbs.	–	–
RW6310	New Water Pump for Ford Powerstroke – 7.3L (466) DI Turbo Diesel Engine	94–96 Super Duty	–	F5TZ–8501B F5TZ–8501C	10 lbs.	–	4



## 6 to 7 Liter Engine



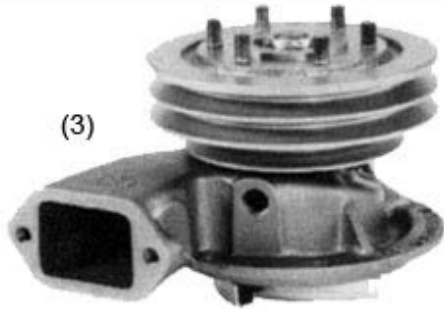
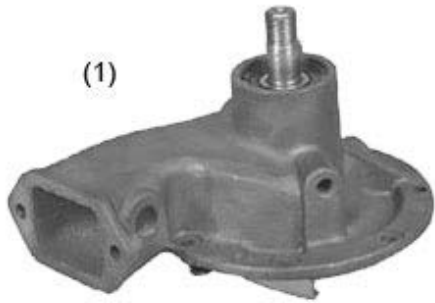
SKU#	Product Description	Manufacturer Number	Casting #	Description	Application	Approx. Weight	Pic. #	Core Group
RW1381	New Water Pump for GM 6.5L Engine	12530176	-	Second Design, br. Double Thermostat	6.5L Medium Duty/School Bus	14 lbs	-	-
RW1406	New Water Pump for General Motors 6.2 Liter Engine	14082745 (23500133)	14024206	Belt Driven Conventional Cab Pulley Not Supplied	1986-90 Chev & GMC	15 lbs.	1	-
RW1406X	Remanufactured Water Pump for General Motors 6.2 Liter Engine	14082745 (23500133)	14024206	Belt Driven Conventional Cab Pulley Not Supplied	1986-90 Chev & GMC	15 lbs.	1	WP1015
RW1408X	Remanufactured Water Pump for General Motors 366 & 427 Engines	14002440	14001939	Standard Hub	6.0 & 7.0 Liter Engines 1979-84 All 1976-78 CE-ME65 with Front End Drive	24 lbs.	2	WP1059
RW1409X	Remanufactured Water Pump for General Motors 366 & 427 Engines	6258548	3856286	Screw-On Hub	6.0 & 7.0 Liter Engines 1969-78 All CE-ME65 with Front End Drive	24 lbs.	2	WP1059
RW1559	New Water Pump for GM 6.5L DSL Engine	12456231	-	-	1999-2003 6.5L Light/Medium Duty	19 lbs	-	-
RW852	New Water Pump for GM 6.2L, 6.5L DSL Engines	23500138	First Design single thermostat	6.2L, 6.5L, light/medium duty	14.6 lbs	-	-	

**Duramax 6.6 Liter Engine**



SKU#	Product Description	MFG. #	Casting #	Application	Approx. Weight	Core Group
RW1463	New Water Pump for General Motors 6.6 Liter Duramax Diesel Engines	97216136	-	2001-2005 GM Duramax 6.6L Diesel	6 lbs.	-
RW1935	New Water Pump for General Motors 6.6L Duramax Diesel Engines	98031233	-	2006-2010 GM Duramas 6.6L Diesel	4.4 lbs	-

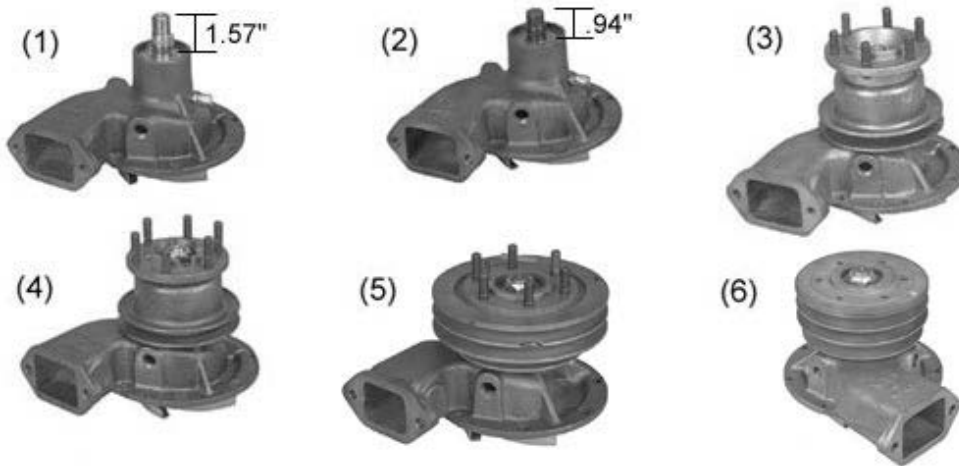
END 673, 675, 676 & E-6 Engine



Installation Kit listed later in this section.

SKU#	Product Description	MFG. #	Casting #	Description	Approx. Weight	Pic. #	Core Group	New Part #
RW2000X	Reman. Thermodyne Water Pump for Mack END 673, 675, 676 Engines	316GC184	360GB334	Short Shaft Without Pulley	12.2 lbs.	1	WP1020	-
RW4215X	Reman. Econodyne Water Pump for Mack E-6 Engines	316GC1219AX	360GB443	Flush Impeller Without Pulley	13.0 lbs.	2	WP1023	RW6215
RW4219X	Reman. Water Pump for Mack E-6 Engines	316GC549MX	360GB443A	Stamped Impeller 3 Groove 7-1/4" Pulley	24.5 lbs.	3	WP1071	-
RW6215	New Econodyne Water Pump for Mack E-6 Engines	316GC1219AX	360GB443	Flush Impeller Without Pulley	13.0 lbs.	2	-	-

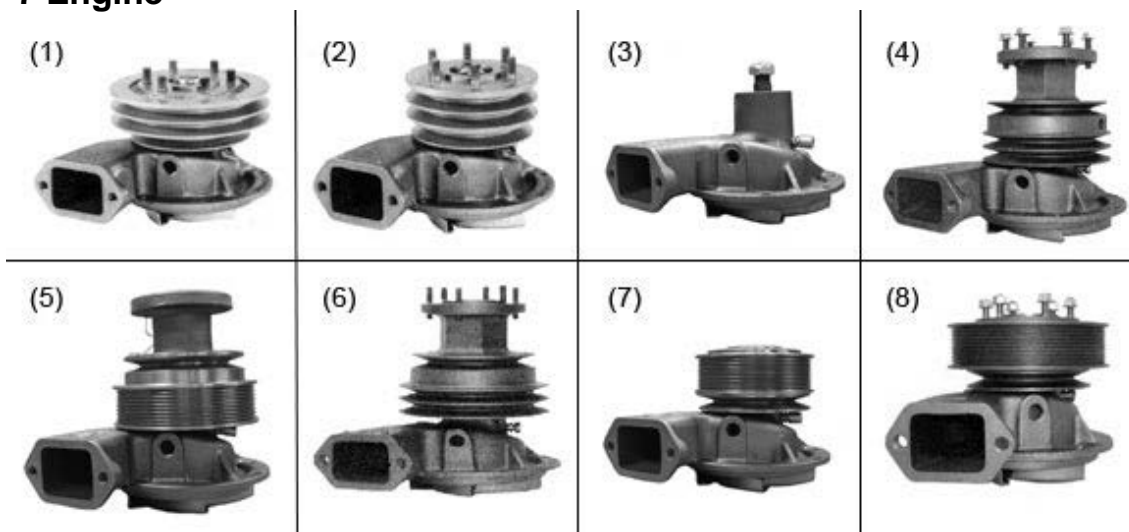
ENDT 675, 676 & EMS-6 Engine



Installation Kit listed later in this section.

SKU#	Product Description	MFG. #	Casting #	Description	Approx. Weight	Pic. #	Core Group	New Part #
RW2001	New Maxidyne Water Pump for Mack ENDT 675, 676 Engines	316GC1184	316GB443 316GC1211A 316GC1211B	1.57" Long Shaft No Pulley	13.0 lbs.	1	-	-
RW2001X	Reman. Maxidyne Water Pump for Mack ENDT 675, 676 Engines	316GC1184	360GB443 316GC1211A 316GC1211B	1.57" Long Shaft No Pulley	13.0 lbs.	1	WP1023	RW2001
RW2002	New Econodyne Water Pump for Mack E6, EM6 & EMS-6 Engine	316GC1210A	316GB443	Charged Air No Pulley .94" Long Shaft	13.0 lbs.	2	-	-
RW2002X	Reman. Econodyne Water Pump for Mack E6, EM6 & EMS-6 Engines	316GC1210A	360GB443	Charged Air No Pulley .94" Long Shaft	13.0 lbs.	2	WP1023	RW2002
RW2005	New Water Pump for Mack ENDT 675 & 676 Engines	316GC1184BX	360GB443	Long Shaft With Pulley Stamped Impeller	16.0 lbs.	3	-	-
RW2005X	Reman. Water Pump for Mack ENDT 675 & 676 Engines	316GC1184BX	360GB443	Long Shaft With Pulley Stamped Impeller	16.0 lbs.	3	WP1022	-
RW2006X	Reman. Water Pump for Mack ENDT 675 & 676 Engines	316GC1211AX	360GB443	Long Shaft with Notched Hub Pulley Fan Clutch Application	17.6 lbs.	4	WP1022	-
RW4209X	Reman. Econodyne Water Pump for Mack E6, EM6 & EMS-6 Engines	316GC1210AX	360GB443	Charged Air 3-Groove 6-5/8" Diameter Pulley	23.0 lbs.	5	WP1022	-
RW4210X	Reman. Econodyne Water Pump for Mack E6, EM6 & EMS-6 Engines	316GC528CX	360GB443	Charged Air 3-Groove 5-1/2" Diameter Pulley Stamped Impeller	20.0 lbs.	6	WP1022	-

## E-7 Engine



SKU#	Product Description	MFG. #	Casting #	Description	Approx. Weight	Pic. #	Core Group
RW4217X	Reman. Water Pump for Mack E-7 Engines	316GC548M2X	360GB251AM	Metric Housing Stamped Impeller 3 Groove 7-1/4" Diameter Pulley	24.5 lbs.	1	WP1071
RW4218X	Reman. Water Pump for Mack E-7 Engines	316GC548MX	360GB251AM	Metric Housing Stamped Impeller 3 Groove 5-1/2" Diameter Pulley	20.0 lbs.	2	WP1071
RW4220X	Reman. Water Pump for Mack E-7 Engines	Base 316GC284	360GB251AM	Metric Housing Stamped Impeller Base Pump with 6-19/64" shaft length No Pulley	13.0 lbs.	3	WP1070
RW4221X	Reman. Water Pump for Mack E-7 Engines	Base 316GC285	360GB251AM	Base Pump with 7-1/4" shaft length No Pulley	13.0 lbs.	3	WP1080
RW4222X	Reman. Water Pump for Mack E-7 Engines	316GC551M3X	360GB251AM	Multi-Groove 5" Diameter Pulley	-	4	WP1071
RW4223X	Reman. Water Pump for Mack E-7 Engines	316GC548M4X	360GB251AM	3 Groove 6-5/8" Diameter Pulley	-	1	WP1071
RW4224X	Reman. Water Pump for Mack E-7 Engines	316GC4108MX	360GB251AM	With Pulley	-	6	WP1081
RW4226X	Reman. Water Pump for Mack E-7 Engines	316GC551M2X	360GB251AM	Metric Housing Multi-Groove 5-1/2" Diameter Pulley	24.0 lbs.	7	WP1071
RW4227X	Reman. Water Pump for Mack E-7 Engines	316GC551MX	360GB251AM	Multi-Groove 6" Diameter Pulley	-	8	WP1071
RW4229X	Reman. Water Pump for Mack E-7 Engines	316GC552M2X	-	Cast Multi-Groove Pulley	24.0 lbs.	5	WP1081

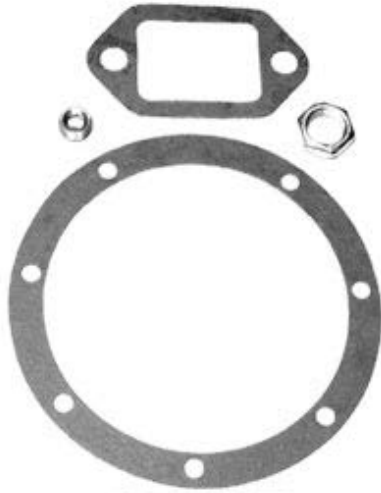
---

**ACET Engines**

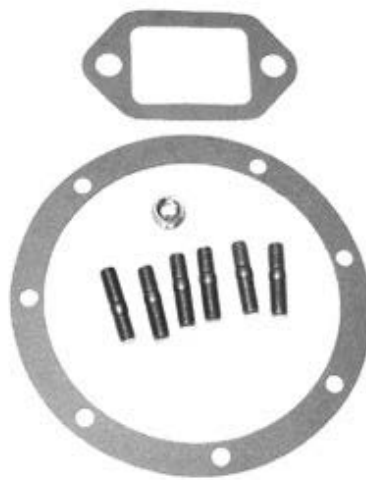


SKU#	Product Description	MFG. #	Casting #	Description	Approx. Weight	Core Group
RW2008X	Reman. Water Pump for Mack ACET Engines	315GC3193	2739-17	Pulley 5.3" Diameter Smooth	14 lbs.	WP1037
RW2009X	Reman. Water Pump for Mack ACET Engines	316GC3196	2738-17	Pulley 5.9" Diameter Smooth	14 lbs.	WP1037

## Installation Kits



2001KIT



2005KIT

SKU#	Product Description	Application
2001KIT	Gasket Kit for Mack ENDT 675, 676 & EMS-6 Engines Water Pump	RW2000, RW2000X, RW2001, RW2001X, RW2002, RW2002X, RW4215X, RW6215
2005KIT	Gasket Kit for Mack ENDT675, 676 & EMS-6 Engines Water Pump	RW2005X, RW2006X, RW4209X, RW4210X, RW6214, RW6216, RW6217

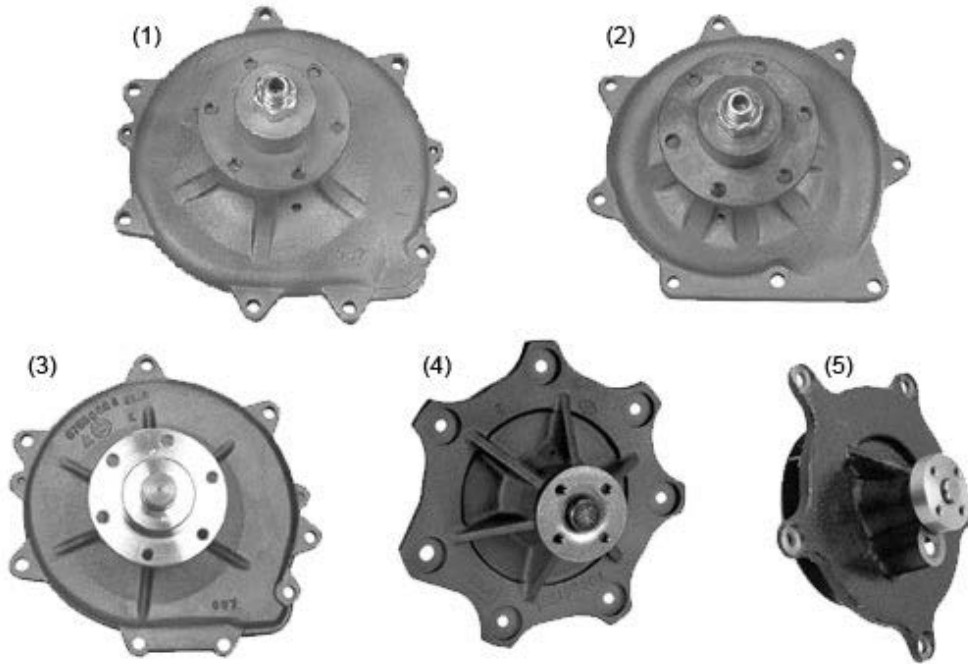
**Mercedes**



SKU#	Product Description	Manufacturer's Number	Application	Approximate Weight	Picture Number
RW1912	New Water Pump for Mercedes 2.7L	5138057AA	2004-2006 Dodge Sprinter 2500, 3500	3.9 lbs.	
RW2044	New Water Pump for Mercedes MBE904/924	5138057AA	MBE924 4.8L MBE904 4.3L	26 lbs.	-
RW6355	New Water Pump for Mercedes OM366, OM366A, OM366LA	A366 200 5901 355 200 5901	OM366, OM366A, OM633LA	16 lbs.	-



## DT360, 414, 415, 466 & DTA360 Engine

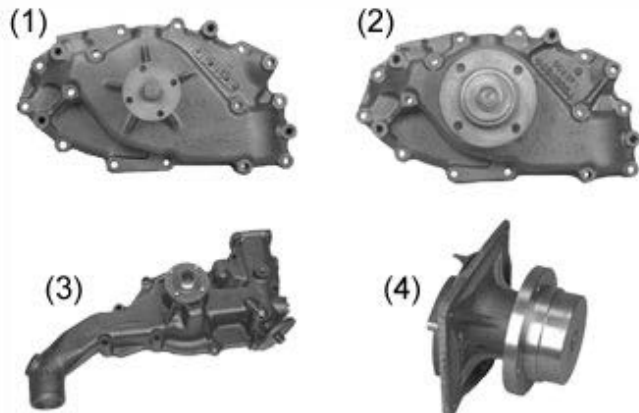


Installation Kit listed later in this section

SKU#	Product Description	MFG. #	Casting #	Description	Approx. Weight	Pic. #	Core Group	New Part #
RW1190	New Water Pump for Navistar DT466 Engine	685155C92	677856C1	Belt Driven Conventional Cab Pulley Not Supplied	19.2 lbs.	1	-	-
RW1190RX	Reman. Water Pump for Navistar DT466 Engine - CoreFree <sup>Å</sup> ™	685155C92	677856C1	Belt Driven Conventional Cab Pulley Not Supplied	19.2 lbs.	1	-	RW1190
RW1190X	Reman. Water Pump for Navistar DT466 Engine	685155C92	677856C1	Belt Driven Conventional Cab Pulley Not Supplied	19.2 lbs.	1	WP1016	RW1190
RW1191	New Water Pump for Navistar DT466 Engines	680899C92	677137C1	Belt Driven Cab Over Pulley Not Supplied	17.1 lbs.	2	-	-
RW1191X	Reman. Water Pump for Navistar DT466 Engines	680899C92	677137C1	Belt Driven Cab Over Pulley Not Supplied	17.1 lbs.	2	WP1017	RW1191
RW1303X	Reman. Water Pump for Navistar DT466, DT414, & DT456 Engines	673162C94	675806C2	Belt Driven Press-On Hub	18.0 lbs.	3	WP1017	-
RW1304RX	Reman. Water Pump for Navistar DTA360 & DT466 Engines - CoreFree <sup>Å</sup> ™	1815538C91	677856C3	Belt Driven Bolt On Hub Left Hand Thread Pulley Not Supplied	22.0 lbs.	1	-	RW6307

RW1304X	Reman. Water Pump for Navistar DTA360 & DT466 Engines	1815538C91	677856C3	Belt Driven Bolt On Hub Left Hand Thread Pulley Not Supplied	22.0 lbs.	1	WP1016	RW6307
RW1310X	Reman. Water Pump for Navistar DT360 & DT466 New Generation Engines	1817687C92	1821935C1 1821935C3	Stamped Steel Impeller	10.0 lbs.	4	WP1060	RW6313
RW6307	New Water Pump for Navistar DTA360 & DT466 Engines	1815538C91	677856C3	Belt Driven Bolt On Hub Left Hand Thread Pulley Not Supplied	22.0 lbs.	1	-	-
RW6311	New Water Pump for International DT466 & DT466E Engines	1842664C92	1841765C1	Bolt on Pulley 5 Bolt Pump	3.5 lbs.	5	-	-
RW6313	New Water Pump for Navistar DT360 & DT466 New Generation Engines	1817687C92	1821935C1 1821935C3	Stamped Steel Impeller	10.0 lbs.	4	-	-

## 6.9, 7.3, 9.0 Liters & DT444E Engine



**Notes:**

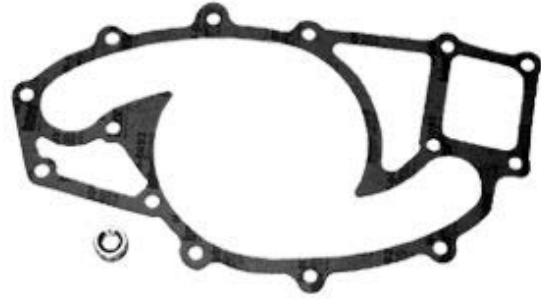
- 1) Installation Kit listed later in this section.

SKU#	Product Description	MFG. #	Casting #	Description	Approx. Weight	Pic. #	Core Group	New Part #
RW1747	New Water Pump for Navistar 6.9 & 7.3 Liter Engines	1809374C91	446430C1	Belt Driven 2-5/8" Hub O.D. Pulley Not Supplied	17.0 lbs.	1	-	-
RW1747X	Reman. Water Pump for Navistar 6.9 & 7.3 Liter Engines	1809374C91	446430C1	Belt Driven 2-5/8" Hub O.D. Pulley Not Supplied	17.0 lbs.	1	WP1019	RW1747
RW1757	New Water Pump for Navistar 6.9 & 7.3 Liter (Ford Truck) Engines	E4TZ-8501C (E9TZ-8501B)	446430C1	Belt Driven 4-1/2" Hub O.D. Pulley Not Supplied	18.8 lbs.	2	-	-
RW1757RX	Reman. Water Pump for Navistar 6.9 & 7.3 Liter (Ford Truck) Engines - CoreFreeA™	E4TZ-8501C (E9TZ-8501B)	446430C1	Belt Driven 4-1/2" Hub O.D. Pulley Not Supplied	18.8 lbs.	2	-	RW1757
RW1757X	Reman. Water Pump for Navistar 6.9 & 7.3 Liter (Ford Truck) Engines	E4TZ-8501C (E9TZ-8501B)	446430C1	Belt Driven 4-1/2" Hub O.D. Pulley Not Supplied	18.8 lbs.	2	WP1018	RW1757
RW4114X	Reman. Water Pump for Navistar 7.3 Liter DT444E Engine	1831676C91 1823669C92 1831676C92	1822851C1	Direct Injection	26.8 lbs.	3	WP1062	RW6114
RW6114	New Water Pump for Navistar 7.3 Liter DT444E Engine	1831676C91 1823669C92 1831676C92	1822851C1	Direct Injection	26.8 lbs.	3	-	-
RW6306	New Water Pump for Navistar 9.0 Liter Engines	1700594C91 1700594C92	489173C1	Belt Driven	10.3 lbs.	4	-	-
RW6306X	Reman. Water Pump for Navistar 9.0 Liter Engines	1700594C91 1700594C92	489173C1	Belt Driven	10.3 lbs.	4	WP1049	RW6306

Installation Kits



1190KIT



1747KIT

SKU#	Product Description	Application
1190KIT	Gasket Kit for Navistar Engines Water Pump	RW1190, RW1190X, RW1303X, RW1304X
1747KIT	Gasket Kit for Navistar 6.9 & 7.3 Liter Engines Water Pump	RW1747, RW1747X, RW1757, RW1757X

## MaxxForce Diesel 9L, 10L

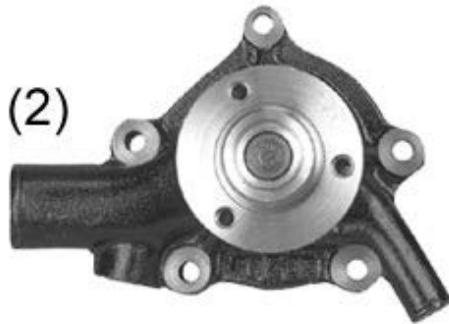


SKU#	Product Description	Manufacturer's Number	Casting Number	Description	Picture Number
RW2052	New Water Pump for International MassForce 9L, 10L	1889116C92	MassForce Diesel 9L	-	-

Isuzu 2.2 Liter and C-201 Engine

Notes:

- 1) Installation Kit listed later in this section.



SKU#	Product Description	MFG. #	Casting #	Description	Approx. Weight	Pic. #	Core Group
RW1199	New Water Pump for Thermo-King Isuzu C-201 Engine	11-4576	PH374	-	9.6 lbs.	1	-
RW1199X	Reman. Water Pump for Thermo-King Isuzu C-201 Engine	11-4576	PH374	-	9.6 lbs.	1	WP1024
RW1351	New Water Pump for Thermo-King Isuzu 2.2 Liter Engine	11-5858	M-1/M-2	with Threaded Auxiliary Port	6.8 lbs.	2	-
RW1351X	Reman. Water Pump for Thermo-King Isuzu 2.2 Liter Engine	11-5858	M-1/M-2	with Threaded Auxiliary Port	6.8 lbs.	2	WP1024
RW1352X	Reman. Water Pump for Thermo-King Isuzu 2.2 Liter Engine	11-5858	M-1/M-2	without Auxiliary Port	6.7 lbs.	2	WP1024
RW6352	New Water Pump for Thermo-King Isuzu 2.2 Liter Engine	11-5858	M-1/M-2	without Auxiliary Port	6.7 lbs.	2	-

---

Installation Kit



SKU#	Product Description	Application
1351KIT	Gasket Kit for Thermo-King Isuzu 2.2 Liter Engine Water Pump	RW1351X

Isuzu: Yanmar 482, 486 Engines



SKU#	Product Description	Manufacturer's Number	Casting Number	Description	Approximate Weight	Picture Number
RW1910	New Water Pump for Thermo-King Yanmar 482, 486	11-9499	-	Thermo King, Yanmar 482, 486 Engines		



Volvo



SKU#	Product Description	MFG#	Casting #	Notes	Approx. Weight	Core Group
RW4786X	Reman. Water Pump for Volvo D12C Engine	20431135, 20713787, 20734268 Volvo Reman. #85000786	20713184	Pressed on Gear and Impeller	12 lbs.	WP1086

---

Carrier/Kubota/Bobcat



SKU#	Product Description	Manufacturer's Number	Casting Number	Description	Approximate Weight	Picture Number
RW1799	New Water Pump for Carrier/Kubota/Bobcat	15521-73-03	-	Carrier Refrigeration/Kubota Tractor/Bobcat Loader	-	-

## Isuzu: 4BD2 Engines



### Features:

- RW1907 without bypass tube
- RW1908 with bypass tube

SKU#	Product Description	Manufacturer Number	Casting #	Application	Approximate Weight
RW1907	New Water Pump for Isuzu Engines	2911463250	-	1992 - 1998 NPR 3.9L	
RW1908	New Water Pump for Isuzu Engines	2911463250	-	1992-1998 NPR 4BD2	

## Dodge: Light/Medium Duty Engines



SKU#	Product Description	Manufacturer's Number
RW1438	New Water Pump for 1994-2003 Dodge 5.2, 5.9L engines	
RW181747	New Water Pump for 2004-2008 Dodge 5.2, 5.9L engines	

## General Motors: Light/Medium



SKU#	Product Description	Manufacturer's Number
RW1652	New Water Pump for Chevy/GMC 1999-2006 5.3, 6.0, 6.2L	
RW1939	New Water PUmp for Chevy/GMC 2007-2013 5.3, 6.0, 6.2L Light/Medium Duty	12600767

## Ford: Light/Medium Duty



SKU#	Product Description	Manufacturer's Number
RW1694	New Water Pump for Ford 1997-2013 4.6L, 5.4L Light/Medium Duty Engine	3L3Z-8501-CA

## TROUBLESHOOTING

### **BROKEN WATER PUMP BEARINGS OR SHAFTS ARE CAUSED BY ONE OR MORE OF THE FOLLOWING CONDITIONS:**

**EXCESSIVE ENGINE ACCELERATION.** Rapid engine accelerations, particularly in low gear during quick getaways, place heavy overloads on the bearing. Any minor imbalance can be amplified during rapid acceleration and high speeds, which can result in severe whipping action and sudden fractures.

**DEFECTIVE FAN.** Relatively minor fan defects can impose substantial strain on the water pump shaft at 3000 to 5000 RPM. A small piece of fan blade missing can result in tremendous adverse centrifugal force. Fatigue cracks near the rivets can cause blade shift or vibration. Bent fan blades can also cause serious load problems.

**FAN NOT SQUARE WITH SHAFT.** It is extremely important that the fan is mounted square to the center line of the shaft. If it is not square, the fan will wobble, causing vibrations to develop. This is particularly important where shaft spacers are used to move the fan closer to the radiator. The mounting bolts, if not properly torqued, will cause the fan to be tilted and may result in permanent deformation of the spacer.

**BENT OR CRACKED PULLEYS.** Damaging vibration can result from bent or cracked pulleys. This usually happens when a pulley is improperly handled or installed.

**FAN BELT TOO TIGHT.** An overtightened fan belt can overload the bearing, resulting in shorter than ordinary fatigue life. It also causes bending of the shaft. Sudden accelerations cause large unbalanced loads, excessive shaft bending and early shaft failure.

### **SHAFT FAILURE CAUSED BY IMBALANCE**

Examination of a failed water pump shaft will reveal the probable cause of failure. Discoloration around the fracture indicates unusually high temperatures caused by centrifugal forces due to imbalance. A small amount of imbalance can result in tremendous pressure on the shaft at operating RPM. The overload is concentrated at one point of the shaft and eventually the shaft snaps.

Lack of discoloration at the break indicates no heat buildup occurred before a sudden vibratory overload of the shaft caused a clean, instantaneous fracture. Rapid acceleration of the engine coupled with imbalance in the shaft is the cause. Small vibrations can be amplified during rapid acceleration and when combined with other engine vibrations can result in an instantaneous shaft fracture.

### **PREVENT WATER PUMP FAILURE WITH THESE COMMON SENSE RULES**

**ALWAYS TIGHTEN FAN BELTS PROPERLY.** Drive belt tension should be 1/2" to 3/4" deflection with light pressure applied midway between pulleys.

**NEVER HAMMER BEARING SHAFT.** Often it is necessary to tap the pump to get it properly aligned during installation. It is very important not to tap on the shaft, as this results in ball race and ball damage. This can cause anything from a noisy pump to an early failure and even a fracture of the shaft.

**BE SURE FAN IS SEATED SQUARE WITH THE PUMP SHAFT AND FAN CLUTCH IS NOT DEFECTIVE.** Fan wobble during rotation will cause the shaft to vibrate, contributing to bearing or shaft failure.

**ALWAYS REPLACE DAMAGED FANS.** Never straighten bent blades; replace the complete fan. Stress cracks and loose rivets in the blades can go undetected and cause a catastrophic failure. If a fan breaks, it can cause serious personal injuries and vehicle damage.



**Haldex**

# Water Pump Cross-Reference

Light Truck - Medium Truck - Heavy Truck

## Install Haldex Water Pumps With Confidence

- Remanufactured in the USA
- Packaged in special "VCI" corrosion inhibiting poly bags
- All shafts, gears, pulleys and impellers are reconditioned to OEM specifications or replaced
- Each unit includes necessary gaskets, seals and hardware for fast, trouble-free installation
- Full one year/100,000 mile Haldex warranty





# Water Pump Cross-Reference

## L00129 Revised 3/15

### Competitive Water Pump to Haldex Water Pump

OEM #	HALDEX REMAN #	DESCRIPTION	ASC INDUSTRIES, INC.	BEPKO	GATES	PRECISION	SLOAN	HALDEX NEW #
23500138	N/A	GM 1993-1998 6.2L DSL/199201996 6.5L DSL	WP-848	N/A	44100	N/A	6117	RW852
E1HZ8501DRM	N/A	1991-1995 6.6L FT-L600-900 (exc 210H.P.)/B-C-CF-F800	WP-HD6308	7319X	43125HD	WP1598	N/A	RW885
10R2776	RW1017X	Caterpillar C15, C18 Straight Tooth Gear	N/A	7017	N/A	N/A	N/A	N/A
10R8660	RW1017X	Caterpillar C15, C18 Straight Tooth Gear	N/A	7017	44062HD	N/A	N/A	N/A
10R2776	RW1018X	Caterpillar C15, C18 ACERT, Straight Tooth W/Cooler Port	N/A	N/A	N/A	N/A	N/A	N/A
3004923	RW1061X	Cummins Big Cam III - 4" Impeller	WP-HD6061	7061X	44055HD	WP638	6061	RW1061
3024671	RW1067X	Cummins Small Cam - 4" Impeller	N/A	7049X	N/A	WP684	4051	N/A
3803605	RW1073X	Cummins N14 Engine Multi-Groove	WP-HD6073	7068X	44052HD	WP689	6073	RW6073
3084024	RW1073VX	Cummins N14 Volvo	N/A	N/A	N/A	WP689A	N/A	N/A
3066330	RW1074X	Cummins Idler N-14 Engine	N/A	7073X	N/A	IP689	6074	RW6074
8928672	RW1119X	Detroit 8.2 Liter - Heater Outlet	WP-HD6119	7120X	46001HD	WP1399A	6119	RW6119
8922302	RW1120X	Detroit 8.2 Liter - No Heater Outlet	WP-HD6119	7119X	N/A	WP1399	4120	N/A
23509067	RW1160X	Detroit 60 Series - Prior To 12/90	WP-HD6121	7121X	N/A	WP1400	4121	N/A
2W1225	RW1162X	Caterpillar 3208 - 3 Belt Pulley	WP-HD6002	7002X	N/A	WP1003T	6002	RW1162
3022474	RW1170X	Cummins Big Cam III & IV - 4 1/2" Impeller	WP-HD6052	7052X	44086HD	WP638	6052	RW1170
3000886	RW1171X	Cummins Small Cam - 5 1/4" Impeller	WP-HD6051	7051X	44061HD	WP640	6051	RW1171
3801708	RW1172X	Cummins Big Cam IV - 4 1/2" Impeller	WP-HD6064	7064X	44092HD	WP636	6064	RW1172
AR45189	RW1173X	Cummins Idler Big Cam Multi-Groove	WP-HD6059	7059X	41111HD	IP638	6059	RW1173
AR4284	RW1174X	Cummins NT & NTC Engines With Pulley	WP-HD6053	7053X	43238HD	WP632	6053	RW1174
3064920	RW1175X	Cummins Idler Small Cam - 2 Belt	WP-HD6058	7058X	42129HD	IP640	6058	RW1175
3803138	RW1176X	Cummins 88 Big Cam IV Multi-Groove	WP-HD6069	7060X	44084HD	WP644	6069	RW1176
3027174	RW1177X	Cummins Big Cam III (GMC) - 4" Impeller	WP-HD6052	7075X	N/A	WP638	4064	RW6067
3803402	RW1178X	Cummins LTA10 Series & M-11 4 Hole Mt.	WP-HD6068	7066X	44094HD	WP637	6068	RW6068
AR45073	RW1179X	Cummins NTC230 - Short - 4" Impeller	WP-HD6057	7057X	N/A	WP646	4057	N/A
5144685	RW1180X	Detroit 53 Series - Left Hand	N/A	7101X	43309HD	WP1388	6101	N/A
5149707	RW1181X	Detroit 71 Series - Right Side	WP-207	7104X	42102HD	WP1257	6102	RW1181
5149706	RW1182X	Detroit 71 Series - Left Side	WP-225	7103X	42344HD	WP1257A	6103	N/A
5144686	RW1183X	Detroit 53 Series - Right Hand	N/A	7102X	43310HD	WP1387	4102	N/A
5149328	RW1184X	Detroit 6V & 8V 71 Series - Standing	WP-HD6105	7105X	N/A	WP1394	6104	N/A
5149329	RW1185X	Detroit 71 Series - Running	N/A	7106X	N/A	WP1396	4106	N/A
5149326	RW1186X	Detroit 8V 71 Series - Standing	WP-HD6105	7107X	N/A	WP1395	4107	N/A
5149327	RW1187X	Detroit 8V 71 Series - Running	N/A	7108X	N/A	WP1396A	4108	N/A
8921104	RW1188X	Detroit 6V & 8V 92 Series - Running	WP-9585	7110X	N/A	WP1397	4110	N/A
8921105	RW1189X	Detroit 6V & 8V 92 Series - Walking	WP-HD6109	7109X	N/A	WP1395A	4109	N/A
685155C92	RW1190X	International DT466 - No Pulley	WP-HD6301	7301X	44058HD	WP563A	6301	RW1190
680899C92	RW1191X	International DT466 - Cab Over - No Pulley	WP-HD6302	7302X	44104HD	WP563	6302	RW1191
5149708	RW1192X	Detroit 71 Series - Right Hand	WP-HD6114	7114X	42321HD	WP601	6114	N/A
5149710	RW1193X	Detroit 71 Series - Left Hand	WP-HD6113	7113X	42322HD	WP601A	6113	N/A
7W7019	RW1194PX	Caterpillar 3406B/C - Flat Gear	WP-HD6006	7006X	45009HD	WP1006	6006	RW1194
3027882	RW1195X	Cummins NTC230 - Short - 4" Impeller	WP-HD6062	7062X	N/A	WP646MG	4062	N/A
5149382	RW1196X	Detroit 8V 71 Series - Standing	WP-HD6105	7118X	N/A	WP1395R	4118	N/A
5149708	RW1197X	Detroit 71 Series - Right Hand	WP-HD6114	7114X	N/A	WP601	4114	N/A
AR4283	RW1198X	Cummins NH, NT & NTC Engine - No Pulley	N/A	7053X	43242HD	WP632	4053	N/A
11 4576	RW1199X	Isuzu C-201 Engine (Thermo King)	N/A	7350X	N/A	WP1199	6350(new)	RW1199
673162C94	RW1303X	International DT466, DT414 & DT456	WP-HD6303	7303X	44101HD	WP563B	4303	N/A
1815538C91	RW1304X	International DTA360 & DT466 - Left Hand	WP-HD6307	7310X	44059HD	WP565	6307	RW6307
1817687C92	RW1310X	International DT360 & DT466 New Gen.	WP-HD6315	7313X	42318HD	WP568	6313(new)	RW6313
11 5858	RW1351X	Isuzu 2.2 Liter - Auxiliary Port	N/A	7351X	42342HD	WP1200	6352(new)	RW1351
11 5858	RW1352X	Isuzu 2.2 Liter - Without Auxiliary Port	N/A	N/A	N/A	WP1201	N/A	RW6352
12530176	N/A	General Motors 1997-1998 6.5L Diesel	WP-9021	N/A	44100	N/A	6124	RW1381
14082745	RW1406X	General Motors 6.2 Liter	N/A	7117X	44099	WP1623	4117	RW1406

# Water Pump Cross-Reference

## L00129 Revised 3/15

### Competitive Water Pump to Haldex Water Pump

OEM #	HALDEX REMAN #	DESCRIPTION	ASC INDUSTRIES, INC.	BEPCO	GATES	PRECISION	SLOAN	HALDEX NEW #
2W1227	RW1407X	Caterpillar 3208 - Threaded Pulley	WP-HD9583	7004X	N/A	WP1003TF	6004	RW1163
14002440	RW1408X	General Motors 366 & 427 (6.0 & 7.0)	WP-553	7116X	N/A	WP1591	N/A	N/A
6258548	RW1409X	General Motors 366 & 427 (6.0 & 7.0)	WP-375	7123X	45003	WP1590	N/A	N/A
5302-1018AD	N/A	Dodge 1994-2003 5.9, 5.7L Eng W/Bypass Tube	WP-9126	N/A	43034	N/A	N/A	RW1438
97216136	N/A	General Motors Duramax 6.6 Liter	N/A	N/A	N/A	N/A	6123	RW1463
12356231	N/A	General Motors 1999-2003 6.5L Diesel	WP-9130	N/A	44056	N/A	N/A	RW1559
12458935	N/A	GM 1999-2006 5.3, 6.0, 6.2L Light/Med Duty Eng	WP-9409	N/A	45005	N/A	N/A	RW1652
3L3Z-8501-CA	N/A	Ford 1997-2013 4.6L, 5.4L Light/Med Duty Engine	WP-9101	N/A	42068	N/A	N/A	RW1694
1809374C91	RW1747X	International 6.9 & 7.3 Liter - 2 5/8" Hub	WP-888	7305X	44053HD	WP560	6305	RW1747
E4TZ-8501C	RW1757X	International 6.9 & 7.3 (Ford)	WP-659	7304X	44015	WP560F	6304	RW1757
E9TZ8501B	RW1760X	Ford 6.6 & 7.8 Liter - 3/4" Outlet	WP-HD6309	7307X	43084	WP1594	N/A	N/A
E7TZ8501A	RW1761X	Ford 6.6 & 7.8 Liter - 1" Outlet	WP-HD6309	7306X	N/A	WP1597	N/A	N/A
F1HZ8501CRM	RW1762X	Ford 7.8 Liter 91-93 Ford Truck	WP-HD6309	7311X	43021HD	WP1599	6309(new)	RW1762
F6TZ8501AA	RW1767X	Ford Power Stroke 7.3L (466)	WP-9128	7314X	45000	WP1581	6311(new)	RW1767
3C3Z8501A	N/A	Ford Power Stroke 6.0L (Turbo)	WP-9309	N/A	41185	N/A	6126	RW1768
4C3Z8501AB	N/A	Ford Power Stroke 6.0L July 2004 Current	WP-9415	N/A	N/A	N/A	N/A	RW1769
4C4Z-8501AARM	N/A	2003-2010 6.0L Ford F650 F750	N/A	N/A	N/A	N/A	6130	RW1786
15521-73-03	N/A	Reefer/Kubota Tractor/Bobcat Loader	N/A	N/A	N/A	N/A	N/A	RW1799
5302-1380AG	N/A	Dodge 2003-2008 5.7L Engine	WP-9303	N/A	43501	N/A	N/A	RW181747
AR5664	RW1903X	Cummins VT903 Engine	N/A	7056X	N/A	WP670	4056	N/A
2911463250	N/A	Isuzu 1992-1993 NPR 3.9L W/O Bypass Tube	N/A	N/A	N/A	N/A	N/A	RW1907
2901463261	N/A	Isuzu 1987-1991 NPR 4BD2 W/Bypass Tube	N/A	N/A	N/A	N/A	N/A	RW1908
11-9499	N/A	Reefer Thermo-King Yanmar 482-4TNE84, 486-4TNE88	N/A	N/A	N/A	N/A	6362	RW1910
5138057AA	N/A	2004-2006 Dodge Sprinter Mercedes Eng 2.7L	WP-9700	N/A	43324	N/A	6359	RW1912
8C3Z8501C	N/A	2008-2010 Super Duty F250-F550 6.4L Diesel	N/A	N/A	N/A	N/A	N/A	RW1917
YC3Z8501CA	N/A	1996-2002 Ford School Bus 7.3L	N/A	N/A	N/A	N/A	N/A	RW1923
98031233	N/A	General Motors 2006-2010 6.6L Diesel	WP-9414	N/A	43273	N/A	6127	RW1935
12600767	N/A	GM 2007-2013 5.3, 6.0, 6.2L Light/Med Duty Eng	WP-1106	N/A	N/A	N/A	N/A	RW1939
3800984	N/A	Cummins D Series 5.9L, 6.7L	N/A	N/A	N/A	N/A	N/A	RW1994
316GC184	RW2000X	Mack END673, 675, 676 - Short Shaft	N/A	7201X	43226HD	WP794	4205	N/A
316GC1184	RW2001X	MACK ENDT675, 676 - Long Shaft	WP-HD6205	7204X	N/A	WP794B	6205	RW2001
316GC1210A	RW2002X	Mack E6, EM6 & EMS6 - No Pulley	WP-HD6208	72078X	43250HD	WP1210NP	6208	RW2002
316GC1184BX	RW2005X	Mack ENDT675 & 676 - Long Shaft	WP-HD6205	7214X	N/A	WP1184	4214	N/A
316GC1211AX	RW2006X	Mack ENDT675 & 676 - Long Shaft	WP-HD6205	7215X	N/A	WP1211	N/A	N/A
316GC3193	RW2008X	Mack ACET 5.3 Pulley	N/A	N/A	N/A	N/A	N/A	N/A
316GC3196	RW2009X	Mack ACET 5.9 Pulley	N/A	N/A	N/A	N/A	N/A	N/A
9062006301	N/A	Mercedes MBE904 4.8L, MBE902 4.3L Bus	N/A	N/A	N/A	N/A	6358	RW2044
1889116C92	N/A	Maxforce 9.0L, 10.0L	N/A	N/A	N/A	N/A	N/A	RW2052
4955394NX	N/A	Cummins 2007 ISB	N/A	N/A	N/A	N/A	N/A	RW2060
3045943	N/A	Cummins Big Cam - Pump & Idler	N/A	7064X	N/A	WP636	4064	RW3000
2W1225	RW4001X	Caterpillar 3208 - No Pulley	WP-HD6001	7001X	42351HD	WP1000T	6001	N/A
9L7660	RW4005X	Caterpillar 1160 - Pressed Pulley	N/A	7005X	N/A	WP1001	4005	N/A
6N8413	RW4007X	Caterpillar 3306 - Angled Teeth	N/A	7007X	N/A	WP1013	6013	N/A
OR9493	RW4008X	Caterpillar 3306 - Straight Teeth	N/A	7007GX	N/A	N/A	N/A	N/A
1025844	RW4009X	Caterpillar 3176 - No Pulley	N/A	7009X	N/A	WP1011	4009	N/A
1006944	RW4011X	Caterpillar 3176B, C-10 & C-12	N/A	7011X	N/A	WP1019	N/A	N/A
4P3082	RW4015X	Caterpillar 3116/3126 - 3.75" Pulley	WP-2200	7015X	43554HD	WP1021	N/A	RW6015
OR3007	RW4016X	Caterpillar 3116/3126 - 4.375" Pulley	N/A	7012X	N/A	WP1020	N/A	RW6016
227-4299	RW4017X	Caterpillar 3116/3126 Multi-Groove	N/A	N/A	N/A	N/A	N/A	N/A



# Water Pump Cross-Reference

## L00129 Revised 3/15

### Competitive Water Pump to Haldex Water Pump

OEM #	HALDEX REMAN #	DESCRIPTION	ASC INDUSTRIES, INC.	BEPCO	GATES	PRECISION	SLOAN	HALDEX NEW #
128-5121	RW4018X	Caterpillar 3116/3126 - 3.75" Pulley	WP-2222	N/A	N/A	WP1021	N/A	N/A
10R2129	RW4019X	Caterpillar C13 Acert Engine	N/A	N/A	N/A	N/A	N/A	N/A
AR4547	RW4054X	Cummins NT & NTC - 1 3/4" Shaft	N/A	7054X	N/A	WP633A	4054	N/A
AR4548	RW4055X	Cummins NT & NTC - 2 1/4" Shaft	N/A	7055X	N/A	WP633	4055	N/A
4089910	RW4068X	Cummins ISX - 12 Groove Pulley	N/A	N/A	N/A	N/A	N/A	RW6066
4026702	RW4069X	Cummins ISX - 10 Groove Pulley	WP-2100	N/A	45051HD	N/A	N/A	RW6069
3065000	RW4070X	Cummins 88 Big Cam IV Idler	N/A	7071X	41173HD	IP644A	6070(new)	RW6070
3062931	RW4071X	Cummins 88 Big Cam IV Idler Multi-Groove	WP-HD6071	7069X	N/A	IP644	6071	RW6071
3803403	RW4076X	Cummins L10 & M11 - 1991 After	WP-HD6076	7072X	43307HD	WP671	6076	RW6076
3800745	RW4077X	Cummins M11 ISM - Short Shaft	N/A	7072SSX	N/A	N/A	6087	N/A
1823669C92	RW4114X	International 7.3 Liter DT444E	WP-HD7315	7315X	N/A	WP559	6315	RW6114
23505895	RW4122X	Detroit 60 Series After 12/90	WP-HD6545	7122X	44066HD	WP1409	6122	N/A
N/A	RW4122PX	Detroit 60 Series Premium	WP-HD6545	N/A	44066HD	N/A	N/A	N/A
23522707	RW4123X	Detroit 60 Series - High Flow	WP-HD6545	7126X	N/A	WP1408	4122	N/A
N/A	RW4123PX	Detroit 60 Series Premium	WP-HD6545	N/A	N/A	N/A	6122	N/A
23531257	RW4124X	Detroit 60 Series EGR - 61 Tooth Drive	WP-HD6542	N/A	N/A	N/A	N/A	N/A
23522721	RW4125PX	Detroit 60 Series Pocket Style	WP-HD6545	N/A	N/A	N/A	6131	RW6127
23531258	RW4126X	Detroit 60 Series - EGR Port	WP-HD6543	N/A	N/A	N/A	N/A	RW6126
316GC1210AX	RW4209X	Mack E6, EM6 & EMS6 - 3 Groove Pulley	WP-HD6208	7209X	N/A	WP1210	6217	RW4209
316GC528CX	RW4210X	Mack E6, EM6 & EMS6 - 3 Groove Pulley (R&R)	N/A	7210X	N/A	WP528	N/A	RW4210
316GC1219A	RW4215X	Mack E6 Econodyne	WP-HD6208	7216X	N/A	WP1219	4215	RW6215
316GC548M2X	RW4217X	Mack E7 - Metric - 7.25 Diameter	N/A	7223X	N/A	WP1233	N/A	N/A
316GC548MX	RW4218X	Mack E7 - Metric - 5.5 Diameter	N/A	7218X	N/A	WP1228	N/A	/A
316GC549MX	RW4219X	Mack E6 - Stamped Impeller	N/A	7219X	N/A	WP1229	N/A	N/A
316GC284	RW4220X	Mack E7 - Metric Housing	N/A	7220X	N/A	WP1230	N/A	N/A
316GC285	RW4221X	Mack E7 - 7 1/4" Shaft	N/A	N/A	N/A	N/A	N/A	N/A
316GC551M3X	RW4222X	Mack E7 - Multi-Groove - 5" Diameter	N/A	7222X	N/A	WP1232	N/A	N/A
316GC548M4X	RW4223X	Mack E7 - 3 Groove - 6 5/8" Diameter	N/A	7223X	N/A	WP1233	N/A	N/A
316GC4108MX	RW4224X	Mack E7 - With Pulley	N/A	7224X	N/A	WP1234	N/A	N/A
316GC551M2X	RW4226X	Mack E7 - 5 1/2" Multi-Groove Pulley	N/A	7226X	N/A	WP1236	N/A	N/A
316GC551MX	RW4227X	Mack E7 - 6" Multi-Groove Pulley	N/A	7227X	N/A	WP1237	N/A	N/A
316GC552M2X	RW4229X	Mack E7 - Cast Multi-Groove Pulley	N/A	N/A	N/A	N/A	N/A	N/A
8500786	RW4786X	Volvo D12C	N/A	N/A	N/A	N/A	N/A	N/A
613890	RW6012X	Caterpillar 3406B/C/E - Dome Gear	WP-HD6012	7006EX	44054HD	WP1016	6012	RW6012
10R0484	RW6014X	Caterpillar C15 - Straight Tooth	WP-2099	N/A	N/A	WP1017	6015	RW6014
AR51360	N/A	Cummins N Series Engine	N/A	N/A	43285HD	WP633B	N/A	RW6063
4026702	N/A	Cummins ISX	N/A	2083	45051HD	N/A	N/A	RW6069
3802358	RW6075X	Cummins B Series Engine	WP-726	7063X	41178	WP682	6075(new)	RW6075
3802081	RW6077X	Cummins C Series Engine	WP-9008	7076X	42352HD	WP683	6077(new)	RW6077
3062602	RW6078X	Cummins L10 Idler	N/A	7067X	41175HD	IP637	6078(new)	RW6078
3804927	RW6079X	Cummins ISC & ISL 8.3 Engine	N/A	N/A	42146HD	N/A	6084	RW6079
1700594C91	RW6306X	International 9.0 Liter	WP-892	7308X	42114HD	WP1479	6306(new)	RW6306
F5TZ-8501B	N/A	Ford Power Stroke 7.3L (466) DI	WP-9128	7314X	45007	N/A	6317	RW6310
1842664C92	N/A	International 7.6 466 Late	WP-HD3000	N/A	43325HD	N/A	6310	RW6311
E7HN8A513AB	N/A	Ford 6.6 & 7.8 Liter (Brazilian)	N/A	N/A	N/A	WP1594	N/A	RW6314
A3662005901	N/A	Mercedes OM366, OM366A, OM366LA	WP-1943	N/A	N/A	N/A	6355	RW6355