

GROUND FORCE[®]



SUSPENSION SYSTEMS



Your complete source for premier light truck suspension enhancements

PROUDLY DESIGNED, ENGINEERED, AND MANUFACTURED IN THE USA

Machining will Accept
Large Brake Systems

Fits 2WD, 4WD, and AWD

Steering Stops Design
Allows Maximum
Turning Radius

Powder Coated Finish

AIR FLOW

Design
Allows Standard
Thickness Lower
Ball Joint Nut

Patented

NEW SPINDLE COOLING TECHNOLOGY

GROUND FORCE REVOLUTIONARY DESIGN

EXCLUSIVE FOR THE GMT 900 TRUCKS - PART #6010



DESIGNED - ENGINEERED - MANUFACTURED

GROUND FORCE[®]

SUSPENSION SYSTEMS

Engineered
from the
Ground
Up!



For nearly three decades, Ground Force Suspension Systems has been a leading manufacturer in tuned performance suspension systems for your 2WD/4WD light-truck, SUV, crossover, and performance muscle cars! All Ground Force suspension systems and components have been subjected to rigorous in-house and track testing, giving your vehicle the optimal ride, drive set-up and safety you demand! Our engineers work side-by-side with the OE automotive manufacturers, adding in suspension development on many performance vehicles offered today right from your dealerships and on the track.

All Ground Force kits and components are designed for easy purchasing and bolt-on installation, from our part number system which identifies our kits, right down to the limited lifetime warranty of all products by Ground Force. Each and every system is complete, with high performance nitrogen gas shocks (when stated), drive-line alignment hardware, bump stops, and optional coil spring, leaf spring, or spindle applications. Countless hours at the track and in our R&D center have allowed us to continue to make the best domestically made suspension systems in the business.

Remember, any suspension kit can make your vehicle look good, but once the car show and pictures are over you have to live with that choice.

IT'S YOUR RIDE, MODIFY IT RIGHT!



WARNING: Modifying an original equipped vehicle will result in a vehicle handling differently. All types of suspension modifications will affect reaction, ride, handling and wear and tear rate of a vehicle and its components. Abrupt maneuvers, sharp and sudden turns and weather conditions will increase the vehicle's susceptibility for loss of control. Death and serious injury could be the result if you fail to operate a modified vehicle safely. Know and follow the laws of the states.

GROUND FORCE

MOST POPULAR APPLICATIONS

CHEVROLET/GMC C-1500



2007-2013 **FULL LOWERING KIT #9857**

2014-UP **REAR LOWERING KIT #91216**

2007-2013 **FRONT LEVELING KIT #3812P**



FORD F-150



2009-2014 **FULL LOWERING KIT #9861**

2004-2014 **REAR LOWERING KIT #91200**

2004-2014 **FRONT LEVELING KIT #3810**



DODGE/RAM 1500



2009-2014 **FULL LOWERING KIT #9984**

2009-2014 **REAR LOWERING KIT #91214**

2009-2014 **FRONT LEVELING KIT #3817**



Complete Lowering Kits

Cadillac - Chevrolet

Cadillac

YEAR	DRIVETRAIN	CAB SIZE	LOWER		NOTES	KIT #	KIT CONTENTS
			FRONT	REAR			
2015 and up	2WD / 4WD / AWD	--	2.00"	3.00"	All vehicles with rear air suspension	NEW 9882	Front coils, rear coils, rear sway bar spacers, and rear air brackets
2007-2014	2WD / AWD	--	1.50"	2.50"	All vehicles with rear air suspension, including ESV/EXT	9979	Front coils, rear coils, rear sway bar spacers, and rear air brackets
2007-2014	2WD / 4WD / AWD	--	2.00"	2.75"	All vehicles with rear air suspension, including ESV/EXT	9855	Front spindles, rear coils, rear sway bar spacers, and rear air brackets
2001-2006	2WD / 4WD	--	2.00"	3.00"	All vehicles with rear air suspension, including ESV/EXT	9958	Front torsion keys, rear coils, and air brackets

Chevrolet

YEAR	DRIVETRAIN	CAB SIZE	LOWER		NOTES	KIT #	KIT CONTENTS
			FRONT	REAR			
2007-2013	2WD / 4WD	Crew Cab	1.50"	2.50"	All vehicles with rear air suspension	9979	Front coils, rear coils, rear sway bar spacers, and rear air brackets
2007-2013	2WD	Crew Cab	1.50"	2.50"		9991	Front coils, rear coils, and rear shocks
2007-2013	4WD	Crew Cab	1.50"	2.75"	All vehicles without rear air suspension	9977	Front coils, rear coils, and rear shocks
2007-2013	2WD / 4WD / AWD	Crew Cab	2.00"	2.75"	All vehicles with rear air suspension	9855	Front spindles, rear coils, rear sway bar spacers, and rear air brackets
2007-2013	2WD / 4WD	Crew Cab	2.00"	2.75"		9856	Front spindles, rear coils, rear shocks, bump stops, and sway bar spacers
2001-2006	2WD / 4WD	Crew Cab	2.00"	2.50"	All vehicles without rear air suspension	9972	Front torsion bar adjusters, rear coils, and front and rear shocks
2000-2006	2WD	Crew Cab	2.00"	3.00"		9917	Front torsion keys, rear coils, front and rear shocks
2001-2006	2WD / 4WD	Crew Cab	2.00"	3.00"	All except Z71	9956	Front torsion bar adjusters, rear coils, front and rear shocks

Blazer

1982-2003	--	--	3.00"	3.00"	Two-Door Only	9921	Coils and blocks
-----------	----	----	-------	-------	---------------	------	------------------

Camaro

2010-2014	--	--	1.00"	1.00"	All vehicles with V8 engine only	5010	Front and rear performance coils
-----------	----	----	-------	-------	----------------------------------	------	----------------------------------

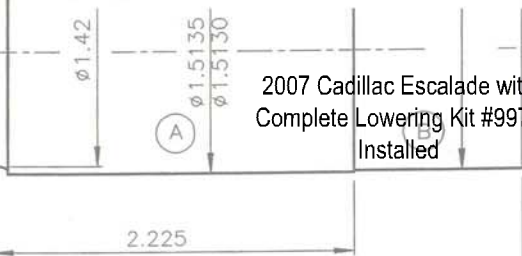
Colorado

2004-2012		Crew Cab	1.00"	2.00"	ZQ8 Sport	9942	Coils, blocks, bump stops, U-bolts, spring plates, and rear shocks
2004-2012		Regular Cab	2.00"	2.00"	Z85 Only	9938	Front coils, rear blocks and rear spring plates
2004-2012		Crew Cab	2.00"	3.00"	Z85 Only	9932	Front coils, rear blocks, and rear spring plates

S-10 Pickup

1982-2003	--	--	3.00"	3.00"	4-cyl Engine	9920	Coils and blocks
1982-2003	--	--	3.00"	3.00"	6-cyl Engine	9921	Coils and blocks

2007 Cadillac Escalade with Complete Lowering Kit #9979 Installed



Complete Lowering Kits

Chevrolet

Chevrolet (continued)

YEAR	DRIVETRAIN	CAB SIZE	LOWER		NOTES	KIT #	KIT CONTENTS
			FRONT	REAR			
Silverado 1500							
2014 and up	2WD	Double Cab / Crew Cab	2.00"	3.00"		NEW 9879	Front coils, rear shackles, bump stops, and hardware
2014 and up	2WD	Double Cab / Crew Cab	2.00"	4.00"		NEW 9877	Front coils, rear flip kit, rear shocks, rear shackles and hangers, and bump stops
2014 and up		Double Cab / Crew Cab	2.00"	4.00"		NEW 9878	Front cast steel spindles, rear flip kit, rear shocks, rear shackles and hangers, and bump stops
2014 and up		Regular Cab	2.00"	4.50"		NEW 9880	Front cast steel spindles, rear flip kit, rear shocks, rear shackles and hangers, and bump stops
2007-2013	2WD / 4WD / AWD	Extended Cab / Crew Cab	2.00"	4.00"	Fits 2007 Silverado with new body style	9857	Front spindles, rear leaves, rear shocks, bump stops, and wedges
2004-2006	2WD	Extended Cab	2.00"	2.00"	All vehicles with 5.3L or 6.0L engine with torsion front suspension	9939	Front torsion keys, rear shackles, bump stops, wedges, front and rear shocks
1988-1998	2WD	Regular Cab	2.00"	4.00"	All vehicles with 1 inch rotor	9024	Front spindles, hangers, shackles, and shocks
Silverado SS							
2003-2005	AWD	--	2.00"	2.00"		9971	Front torsion keys, rear shackles, and shocks
SSR							
2004-2006		--	1.00"	1.50"	All vehicles with 5.3L or 6.0L engine	9990	Front and rear coils
Suburban							
2015 and up	2WD / 4WD / AWD	--	2.00"	3.00"	All vehicles with rear air suspension	NEW 9882	Front coils, rear coils, rear sway bar spacers, and rear air brackets
2015 and up	2WD	--	2.00"	3.00"		NEW 9883	Front coils, rear coils, and rear shocks
2015 and up	4WD	--	2.00"	3.00"		NEW 9889	Front coils, rear coils, and rear shocks
2007-2014	2WD / AWD	--	1.50"	2.50"	All vehicles with rear air suspension	9979	Front coils, rear coils, rear sway bar spacers, and rear air brackets
2007-2014	2WD	--	1.50"	2.50"		9991	Front coils, rear coils, and rear shocks
2007-2014	4WD	--	1.50"	2.75"	All vehicles without rear air suspension	9977	Front coils, rear coils, and rear shocks
2007-2014	2WD / 4WD / AWD	--	2.00"	2.75"	All vehicles with rear air suspension	9855	Front spindles, rear coils, rear sway bar spacers, and rear air brackets
2007-2014	2WD / 4WD	--	2.00"	2.75"		9856	Front spindles, rear coils, rear shocks, bump stops, and sway bar spacers
2001-2006	2WD / 4WD	--	2.00"	2.50"	All vehicles without rear air suspension	9972	Front torsion bar adjusters, rear coils, and front and rear shocks
2000-2006	2WD	--	2.00"	3.00"		9917	Front torsion keys, rear coils, front and rear shocks
2001-2006	2WD / 4WD	--	2.00"	3.00"	All except Z71	9956	Front torsion bar adjusters, rear coils, front and rear shocks
2001-2006	4WD	--	2.00"	3.00"	Z71	9957	Front torsion bar adjusters, rear coils, front and rear shocks
2001-2006	2WD / 4WD	--	2.00"	3.00"	All vehicles with rear air suspension	9958	Front torsion keys, rear coils, and air brackets

2007 Chevrolet Tahoe with Complete Lowering Kit #9856 Installed



Complete Lowering Kits

Chevrolet - Dodge

Chevrolet (continued)

YEAR	DRIVETRAIN	CAB SIZE	LOWER		NOTES	KIT #	KIT CONTENTS
			FRONT	REAR			
Tahoe							
2015 and up	2WD / 4WD / AWD	--	2.00"	3.00"	All vehicles with rear air suspension	NEW 9882	Front coils, rear coils, rear sway bar spacers, and rear air brackets
2015 and up	2WD	--	2.00"	3.00"		NEW 9883	Front coils, rear coils, and rear shocks
2015 and up	4WD	--	2.00"	3.00"		NEW 9889	Front coils, rear coils, and rear shocks
2007-2014	2WD / AWD	--	1.50"	2.50"	All vehicles with rear air suspension	9979	Front coils, rear coils, rear sway bar spacers, and rear air brackets
2007-2014	2WD	--	1.50"	2.50"		9991	Front coils, rear coils, and rear shocks
2007-2014	4WD	--	1.50"	2.75"	All vehicles without rear air suspension	9977	Front coils, rear coils, and rear shocks
2007-2014	2WD / 4WD / AWD	--	2.00"	2.75"	All vehicles with rear air suspension	9855	Front spindles, rear coils, rear sway bar spacers, and rear air brackets
2007-2014	2WD / 4WD	--	2.00"	2.75"		9856	Front spindles, rear coils, rear shocks, bump stops, and sway bar spacers
2001-2006	2WD / 4WD	--	2.00"	2.50"	All vehicles without rear air suspension	9972	Front torsion bar adjusters, rear coils, and front and rear shocks
2000-2006	2WD	--	2.00"	3.00"		9917	Front torsion keys, rear coils, front and rear shocks
2001-2006	2WD / 4WD	--	2.00"	3.00"	All except Z71	9956	Front torsion bar adjusters, rear coils, front and rear shocks
2001-2006	4WD	--	2.00"	3.00"	Z71	9957	Front torsion bar adjusters, rear coils, front and rear shocks
2001-2006	2WD / 4WD	--	2.00"	3.00"	All vehicles with rear air suspension	9958	Front torsion keys, rear coils, and air brackets

Dodge

YEAR	DRIVETRAIN	CAB SIZE	LOWER		NOTES	KIT #	KIT CONTENTS
			FRONT	REAR			
Ram 1500							
2009 and up	2WD	Crew Cab / Quad Cab	2.00"	3.00"		9863	Front coils, front shocks, rear coils, rear shocks, and cell foam bump stops
2009 and up	2WD	Regular Cab	2.00"	3.00"		9864	Front coils, front shocks, rear coils, rear shocks, and cell foam bump stops
2009 and up	4WD	Regular Cab	2.00"	3.00"		9983	Front coils, rear coils, rear shocks, and sway bar spacers
2009 and up	4WD	Crew Cab / Quad Cab	2.00"	3.00"		9984	Front coils, rear coils, rear shocks, and sway bar spacers
2006-2008	4WD	Crew Cab	2.00"	4.00"		9980	Front coils, rear flip kit, and rear shocks
2006-2008	2WD	Crew Cab	2.50"	4.30"		9859	Front coils, rear flip kit, bump stops, and shocks
2006-2008	2WD	Regular Cab	2.50"	4.30"		9992	Front coils, rear flip kit, bump stops, and shocks
2002-2005		Regular Cab	1.50"	4.30"		9929	Front coils, rear flip kit, bump stops, and shocks
2002-2005		Crew Cab	1.50"	4.30"		9930	Front coils, rear flip kit, bump stops, and shocks
2002-2005	4WD	Regular Cab	2.00"	4.00"		9970	Front torsion keys, rear flip kit, front and rear shocks
2002-2005	4WD	Crew Cab	2.00"	4.00"		9970	Front torsion keys, rear flip kit, front and rear shocks
Ram SRT10							
2004-2006		Regular Cab	1.00"	2.00"		9947	Coils, rear blocks, bump stops, rear shocks, and hardware
2004-2006		Crew Cab	2.00"	4.00"		9948	Front coils, rear flip kit, bump stops, and rear shocks

2.225

.03x45"

Complete Lowering Kits

Ford - GMC

Ford

YEAR	DRIVETRAIN	CAB SIZE	LOWER		NOTES	KIT #	KIT CONTENTS
			FRONT	REAR			

Expedition							
1997-2002	2WD	--	2.00"	2.00"	All vehicles with rear coil suspension only	9912	Front coils, rear coils, and shocks

F-150							
2015 and up	4WD	Super Cab / Super Crew	1.50"	2.50"		NEW 9988	TBA
2015 and up	2WD	Super Cab / Super Crew	2.00"	4.00"		NEW 9881	TBA
2009-2014	4WD	Super Cab / Super Crew	1.50"	3.00"		9987	Front coils, rear shackles, and pinon angle hardware
2009-2014	2WD	Super Cab / Super Crew	2.00"	4.00"		9861	Front coils, rear performance leafs, rear performance shocks, carrier bearing brackets, drive-line hardware, and cell foam bump stops
2004-2008	4WD	--	2.00"	3.00"		9966	Coils, bump stops, shackles, U-bolts, bump stop extensions, and rear shocks
2004-2008	2WD	Regular Cab / Super Cab	2.00"	5.00"		9933	Front coils, rear flip kit, bump stops, and rear shocks
1997-2003	2WD	Regular Cab / Super Cab / Super Crew	2.00"	4.00"	1/2 Ton	9911	Coils, hangers, shackles and shocks

F-150 Harley Davidson							
1999-2004		--	1.00"	2.00"		9902	Coils and shackles
1999-2004		--	1.00"	2.00"		9903	Coils, shackles, and shocks

F-150 Heritage							
2004	2WD	--	2.00"	4.00"		9911	Coils, hangers, shackles and shocks

F-150 Lightning							
1999-2004		--	1.00"	2.00"		9902	Coils and shackles
1999-2004		--	1.00"	2.00"		9903	Coils, shackles, and shocks

Mustang							
2005-2014		--	1.00"	1.40"	V6; All coupe and convertible vehicles	5003	Front coils, rear coils, and alignment cam

Mustang GT							
2005-2014		--	1.30"	1.40"	V8; All coupe and convertible vehicles	5000	Front coils, rear coils, and alignment cam

GMC

YEAR	DRIVETRAIN	CAB SIZE	LOWER		NOTES	KIT #	KIT CONTENTS
			FRONT	REAR			

Canyon							
2004-2012		Regular Cab	2.00"	2.00"	Z85 Only	9938	Front coils, rear blocks and rear spring plates
2004-2012		Crew Cab	2.00"	3.00"	Z85 Only	9932	Front coils, rear blocks, and rear spring plates

2009 Ford F-150 with Complete Lowering Kit #9861 Installed

GMC (continued)

YEAR	DRIVETRAIN	CAB SIZE	LOWER		NOTES	KIT #	KIT CONTENTS
			FRONT	REAR			
Sierra 1500							
2014 and up	2WD	Double Cab / Crew Cab	2.00"	3.00"		NEW 9879	Front coils, rear shackles, bump stops, and hardware
2014 and up	2WD	Double Cab / Crew Cab	2.00"	4.00"		NEW 9877	Front coils, rear flip kit, rear shocks, rear shackles and hangers, and bump stops
2014 and up		Double Cab / Crew Cab	2.00"	4.00"		NEW 9878	Front cast steel spindles, rear flip kit, rear shocks, rear shackles and hangers, and bump stops
2014 and up		Regular Cab	2.00"	4.50"		NEW 9880	Front cast steel spindles, rear flip kit, rear shocks, rear shackles and hangers, and bump stops
2007-2013	2WD / 4WD / AWD	Extended Cab / Crew Cab	2.00"	4.00"	Fits 2007 Sierra with new body style	9857	Front spindles, rear leaves, rear shocks, bump stops, and wedges
Sierra 1500 Denali							
2007-2013	2WD / 4WD / AWD	Extended Cab / Crew Cab	2.00"	4.00"		9857	Front spindles, rear leaves, rear shocks, bump stops, and wedges
Yukon							
2015 and up	2WD / 4WD / AWD	--	2.00"	3.00"	All vehicles with rear air suspension	NEW 9882	Front coils, rear coils, rear sway bar spacers, and rear air brackets
2015 and up	2WD	--	2.00"	3.00"		NEW 9883	Front coils, rear coils, and rear shocks
2015 and up	4WD	--	2.00"	3.00"		NEW 9989	Front coils, rear coils, and rear shocks
2007-2014	2WD	--	1.50"	2.50"		9991	Front coils, rear coils, and rear shocks
2007-2014	4WD	--	1.50"	2.75"	All vehicles without rear air suspension	9977	Front coils, rear coils, and rear shocks
2007-2014	2WD / 4WD / AWD	--	2.00"	2.75"	All vehicles with rear air suspension	9855	Front spindles, rear coils, rear sway bar spacers, and rear air brackets
2007-2014	2WD / 4WD	--	2.00"	2.75"		9856	Front spindles, rear coils, rear shocks, bump stops, and sway bar spacers
2001-2006	2WD / 4WD	--	2.00"	2.50"	All vehicles without rear air suspension	9972	Front torsion bar adjusters, rear coils, and front and rear shocks
2000-2006	2WD / 4WD	--	2.00"	3.00"		9917	Front torsion keys, rear coils, front and rear shocks
2001-2006	2WD / 4WD	--	2.00"	3.00"	All except Z71	9956	Front torsion bar adjusters, rear coils, front and rear shocks
2001-2006	2WD / 4WD	--	2.00"	3.00"	All vehicles with rear air suspension	9958	Front torsion keys, rear coils, and air brackets
Yukon Denali							
2015 and up	2WD / 4WD / AWD	--	2.00"	3.00"	All vehicles with rear air suspension	NEW 9882	Front coils, rear coils, rear sway bar spacers, and rear air brackets
2007-2014	2WD / AWD	--	1.50"	2.50"	All vehicles with rear air suspension	9979	Front coils, rear coils, rear sway bar spacers, and rear air brackets
2007-2014	2WD / 4WD / AWD	--	2.00"	2.75"	All vehicles with rear air suspension	9855	Front spindles, rear coils, rear sway bar spacers, and rear air brackets
2001-2006	2WD / 4WD	--	2.00"	3.00"	All vehicles with rear air suspension	9958	Front torsion keys, rear coils, and air brackets



Complete Lowering Kits

GMC - Lincoln

GMC (continued)

YEAR	DRIVETRAIN	CAB SIZE	LOWER		NOTES	KIT #	KIT CONTENTS
			FRONT	REAR			
Yukon XL							
2015 and up	2WD / 4WD / AWD	--	2.00"	3.00"	All vehicles with rear air suspension	NEW 9882	Front coils, rear coils, rear sway bar spacers, and rear air brackets
2015 and up	2WD	--	2.00"	3.00"		NEW 9883	Front coils, rear coils, and rear shocks
2015 and up	4WD	--	2.00"	3.00"		NEW 9989	Front coils, rear coils, and rear shocks
2007-2014	2WD / AWD	--	1.50"	2.50"	All vehicles with rear air suspension	9979	Front coils, rear coils, rear sway bar spacers, and rear air brackets
2007-2014	2WD	--	1.50"	2.50"		9991	Front coils, rear coils, and rear shocks
2007-2014	4WD	Regular Cab	1.50"	2.75"	All vehicles without rear air suspension	9977	Front coils, rear coils, and rear shocks
2007-2014	2WD / 4WD / AWD	--	2.00"	2.75"	All vehicles with rear air suspension	9855	Front spindles, rear coils, rear sway bar spacers, and rear air brackets
2007-2014	2WD / 4WD	--	2.00"	2.75"		9856	Front spindles, rear coils, rear shocks, bump stops, and sway bar spacers
2001-2006	2WD / 4WD	--	2.00"	2.50"	All vehicles without rear air suspension	9972	Front torsion bar adjusters, rear coils, and front and rear shocks
2000-2006	2WD	--	2.00"	3.00"		9917	Front torsion keys, rear coils, front and rear shocks
2001-2006	2WD / 4WD	--	2.00"	3.00"	All except Z71	9956	Front torsion bar adjusters, rear coils, front and rear shocks
2001-2006	2WD / 4WD	--	2.00"	3.00"	All vehicles with rear air suspension	9958	Front torsion keys, rear coils, and air brackets
2007-2014	2WD	--	1.50"	2.50"		9991	Front coils, rear coils, and rear shocks

Hummer

YEAR	DRIVETRAIN	CAB SIZE	LOWER		NOTES	KIT #	KIT CONTENTS
			FRONT	REAR			
Hummer H2							
2002-2009	AWD	--	2.00"	3.00"	All H2/SUV/SUT with rear air suspension	9965	Front torsion keys, rear air bracket, rear shocks, and hardware
2002-2009	AWD	--	2.00"	3.50"	All H2/SUV/SUT without rear air suspension	9963	Front torsion keys, rear coils, rear shocks, and hardware
Hummer H3							
2006-2007	4WD	--	1.00"	3.00"	All except Z71	9974	Alignment cams, rear blocks, and rear shocks

Lincoln

YEAR	DRIVETRAIN	CAB SIZE	LOWER		NOTES	KIT #	KIT CONTENTS
			FRONT	REAR			
2004	2WD / AWD	--	1.50"	2.50"	All vehicles with rear air suspension	9979	Front coils, rear coils, rear sway bar spacers, and rear air brackets
2005-2008	4WD	--	2.00"	3.00"		9966	Coils, bump stops, shackles, U-bolts, bump stop extensions, and rear shocks
2001-2008	2WD / 4WD	--	2.00"	3.00"	All vehicles with rear air suspension	9988	Front torsion keys, rear coils, rear air brackets

*NOTE: THIS RADIUS MUST BE TANGENTIAL AND FREE OF ANY TOOL MARKS.



2006 Hummer H3 Complete Lowering Kit #9974 Installed

Front Coil Lowering Kits

Chevrolet - GMC

Chevrolet

YEAR	DRIVETRAIN	CAB SIZE	LOWER		NOTES	KIT #	KIT CONTENTS
			FRONT	REAR			
Blazer C-10							
1973-1987		--	2.00"	--	1/2 Ton	1027	Front coils
1973-1987		--	3.00"	--	1/2 Ton	1026	Front coils
C-10 Pickup							
1973-1987	2WD	--	2.00"	--	1/2 Ton	1027	Front coils
1973-1987	2WD	--	3.00"	--	1/2 Ton	1026	Front coils
S-10 Pickup							
1980-2004		--	1.00"- 2.00"	--	4-cyl Eng = 1" drop; 6-cyl Eng = 2" drop	1022	Front coils
1980-2004		--	2.00"- 3.00"	--	4-cyl Eng = 2" drop; 6-cyl Eng = 3" drop	1023	Front coils
1980-2004		--	3.00"	--	4-cyl Eng = 3" drop	1025	Front coils
Silverado 1500 Pickup							
1999-2007	2WD	Extended Cab	2.00"	--	Fits 2007 Silverado with classic body style	1043	Front coils
1999-2006	2WD	Regular Cab / Extended Cab	1.30"- 2.00"	--	Regular cab = 1.3" drop; Extended cab = 2" drop; PRICE BUSTER!	1050	Front coils
1999-2006	2WD	Regular Cab	2.00"	--		1044	Front coils with bump stops
1999-2006	2WD	Extended Cab	3.00"	--		1044	Front coils with bump stops
1988-1998	2WD	--	2.00"	--	All	1030	Front coils
1990-1994	2WD	--	2.00"	--	454 SS	1030	Front coils
Silverado 2500							
1988-2008		--	2.00"	--	Light Duty	1030	Front coils
Tahoe							
1995-1998	2WD	--	2.00"	--		1030	Front coils

Ford

YEAR	DRIVETRAIN	CAB SIZE	LOWER		NOTES	KIT #	KIT CONTENTS
			FRONT	REAR			
Expedition							
1997-2002	2WD	--	2.00"	--		1036	Front coils
F-150							
1997-2003	2WD	--	2.00"	--		1036	Front coils
F-150 Lightning							
2004	2WD	--	1.00"	--		1036	Front coils

GMC

YEAR	DRIVETRAIN	CAB SIZE	LOWER		NOTES	KIT #	KIT CONTENTS
			FRONT	REAR			
Jimmy C-10							
1973-1987		--	2.00"	--	1/2 Ton	1027	Front coils
1973-1987		--	3.00"	--	1/2 Ton	1026	Front coils
Sierra 1500 Pickup							
1999-2007	2WD	Extended Cab	2.00"	--	Fits 2007 Sierra with classic body style	1043	Front coils
1999-2006	2WD	Regular Cab / Extended Cab	1.30"- 2.00"	--	Regular cab = 1.3" drop; Extended cab = 2" drop; PRICE BUSTER!	1050	Front coils
1999-2006	2WD	Regular Cab	2.00"	--		1044	Front coils with bump stops
1999-2006	2WD	Extended Cab	3.00"	--		1044	Front coils with bump stops
1988-1998	2WD	--	2.00"	--	All	1030	Front coils

Front Coil Lowering Kits

GMC

GMC (continued)

YEAR	DRIVETRAIN	CAB SIZE	LOWER		NOTES	KIT #	KIT CONTENTS
			FRONT	REAR			
Sierra 2500							
1988-1998	2WD	--	2.00"	--	Light Duty	1030	Front coils
Suburban							
1992-1998		--	2.00"	--	All	1030	Front coils

Front Lowering Spindle Kits

Buick - Chevrolet

Buick

YEAR	DRIVETRAIN	CAB SIZE	LOWER		NOTES	KIT #	KIT CONTENTS
			FRONT	REAR			
Grand National / Regal							
1980-1987		--	2.00"	--		6002	Front spindles and hardware

Cadillac

YEAR	DRIVETRAIN	CAB SIZE	LOWER		NOTES	KIT #	KIT CONTENTS
			FRONT	REAR			
Escalade							
2007-2014	2WD / 4WD	--	2.00"	--	All, including ESV/EXT	6010	Front spindles and hardware
2000-2006	2WD / 4WD	--	2.00"	--	All, including ESV/EXT	6005	Front spindles and hardware

Chevrolet

YEAR	DRIVETRAIN	CAB SIZE	LOWER		NOTES	KIT #	KIT CONTENTS
			FRONT	REAR			
454 SS							
1990-2004	2WD	--	2.00"	--	With 1.25" rotor	6007	Front spindles and hardware
Avalanche							
2007-2013	2WD / 4WD	Crew Cab	2.00"	--		6010	Front spindles and hardware
2000-2006	2WD / 4WD	Crew Cab	2.00"	--		6005	Front spindles and hardware
Blazer C-10							
1973-1990	2WD	--	2.50"	--	With 1.25" rotor; 1/2 Ton	6001	Front spindles and hardware
C-10							
1973-1987	2WD	--	2.50"	--	With 1" rotor	6000	Front spindles and hardware
1973-1987	2WD	--	2.50"	--	With 1.25" rotor	6001	Front spindles and hardware
C-1500							
1988-1998	2WD	--	2.00"	--	Light Duty; With 1.25" rotor	6007	Front spindles and hardware
1988-1991	2WD	--	2.00"	--	With 1" rotor	6003	Front spindles and hardware
C-2500							
1988-1998	2WD	--	2.00"	--	Light Duty; With 1.25" rotor	6007	Front spindles and hardware
El Camino / Malibu / Monte Carlo							
1980-1987		--	2.00"	--		6002	Front spindles and hardware

2.225

.03x45"

2 3/16"

Front Lowering Spindle Kits

Chevrolet - Pontiac

Chevrolet (continued)

YEAR	DRIVETRAIN	CAB SIZE	LOWER		NOTES	KIT #	KIT CONTENTS
			FRONT	REAR			
Jimmy							
1982-1997	2WD	--	2.00"	--		6002	Front spindles and hardware
Jimmy C-10							
1973-1990	2WD	--	2.50"	--	With 1.25" rotor; 1/2 Ton	6001	Front spindles and hardware
S-10 Pickup							
1982-2004	2WD	--	2.00"	--		6002	Front spindles and hardware
Silverado 1500							
2014 and up		Regular Cab / Double Cab / Crew Cab	2.00"	--		NEW 6014	Front cast steel spindles
2007-2013	2WD / 4WD	--	2.00"	--		6010	Front spindles and hardware
2000-2006	2WD / 4WD	Regular Cab / Extended Cab / Crew Cab	2.00"	--		6005	Front spindles and hardware
Suburban							
2007-2014	2WD / 4WD	--	2.00"	--		6010	Front spindles and hardware
1992-1998	2WD	--	2.00"	--	With 1.25" rotor	6007	Front spindles and hardware
1973-1990	2WD	--	2.50"	--	With 1.25" rotor; 1/2 Ton	6001	Front spindles and hardware
Tahoe							
2007-2014	2WD / 4WD	--	2.00"	--		6010	Front spindles and hardware
2000-2006	2WD / 4WD	--	2.00"	--		6005	Front spindles and hardware
1995-1999	2WD	--	2.00"	--	With 1.25" rotor	6007	Front spindles and hardware

GMC

YEAR	DRIVETRAIN	CAB SIZE	LOWER		NOTES	KIT #	KIT CONTENTS
			FRONT	REAR			
Sierra 1500							
2014 and up		Regular Cab / Double Cab / Crew Cab	2.00"	--		NEW 6014	Front cast steel spindles
2007-2013	2WD / 4WD	--	2.00"	--		6010	Front spindles and hardware
2000-2006	2WD / 4WD	Regular Cab / Extended Cab / Crew Cab	2.00"	--		6005	Front spindles and hardware
Yukon							
2007-2014	2WD / 4WD	--	2.00"	--		6010	Front spindles and hardware
2000-2006	2WD / 4WD	--	2.00"	--		6005	Front spindles and hardware
1995-1999	2WD	--	2.00"	--	With 1.25" rotor	6007	Front spindles and hardware
Yukon Denali							
2007-2014	2WD / 4WD	--	2.00"	--		6010	Front spindles and hardware
2001-2006	2WD / 4WD	--	2.00"	--		6005	Front spindles and hardware
Yukon XL							
2007-2014	2WD / 4WD	--	2.00"	--		6010	Front spindles and hardware
2000-2006	2WD / 4WD	--	2.00"	--		6005	Front spindles and hardware

Pontiac

YEAR	DRIVETRAIN	CAB SIZE	LOWER		NOTES	KIT #	KIT CONTENTS
			FRONT	REAR			
Bonneville / Cutlass 442 / Grand Prix							
1980-1987		--	2.00"	--		6002	Front spindles and hardware

Rear Lowering Shackle Kits

Chevrolet - Ford

Chevrolet

YEAR	DRIVETRAIN	CAB SIZE	LOWER		NOTES	KIT #	KIT CONTENTS
			FRONT	REAR			
Blazer C-10							
1973-1990	2WD	--	--	2.00"	1/2 Ton	91144	Shackles
C-10							
1973-1987	2WD	--	--	2.00"	1/2 Ton	91144	Shackles
Silverado 1500							
2014 and up	2WD	Double Cab / Crew Cab	--	2.00"		NEW 91216	Shackles and shims
2014 and up		Regular Cab	--	2.00"		NEW 91220	TBA
2014 and up		Regular Cab	--	3.00"		NEW 91221	TBA
2007-2013	2WD	Regular Cab	--	1.50"		91210	Shackles and wedges
2007-2013	2WD / 4WD	Extended Cab / Crew Cab	--	2.00"		91208	Shackles
2007-2013	4WD	Regular Cab	--	2.50"		91209	Shackles, U-bolts, and wedges
2007-2013	2WD / 4WD	Extended Cab / Crew Cab	--	2.50"		91212	Shackles, U-bolts, trans spacers, and wedges
2005-2007	2WD	Crew Cab	--	2.00"		91143	Shackles
1999-2007	2WD	Extended Cab	--	2.00"	Fits all vehicles with two piece driveshaft	91156	Shackles
1999-2006	2WD	Regular Cab	--	2.00"		91153	Shackles
1988-1998	2WD	--	--	2.00"	Light Duty	91143	Shackles
1990-1994		--	--	2.00"	454 SS	91143	Shackles
Silverado 2500							
1989-2004		--	--	2.00"	Light & Heavy Duty	91143	Shackles
Silverado 3500							
1989-2004		--	--	2.00"	Heavy Duty	91143	Shackles

Dodge

YEAR	DRIVETRAIN	CAB SIZE	LOWER		NOTES	KIT #	KIT CONTENTS
			FRONT	REAR			
Ram 1500							
2002-2008	2WD / 4WD	Regular Cab / Crew Cab	--	1.50"		91142	Shackles
1994-2001		--	--	2.00"	3/4 Ton, 7500 GVW	91146	Shackles
1994-2001		--	--	2.00"	1/2 Ton, 6010 GVW	91146	Shackles
Ram SRT10							
2004-2006		Crew Cab	--	1.50"		91142	Shackles

Ford

YEAR	DRIVETRAIN	CAB SIZE	LOWER		NOTES	KIT #	KIT CONTENTS
			FRONT	REAR			
F-150							
2015 and up	2WD / 4WD	Regular Cab / Super Cab / Super Crew	--	2.00"		NEW 91219	TBA
2004-2014	2WD / 4WD	Regular Cab / Super Cab / Super Crew	--	1.50"-2.00"		91200	Shackles and shims
1997-2003	2WD / 4WD	Regular Cab / Super Cab / Super Crew	--	2.00"		91148	Shackles
1987-1996	2WD	Regular Cab / Super Cab / Super Crew	--	2.00"		91144	Shackles

2.225

.03x45"

2 3/16"

Rear Lowering Shackle Kits

GMC - Toyota

GMC

YEAR	DRIVETRAIN	CAB SIZE	LOWER		NOTES	KIT #	KIT CONTENTS
			FRONT	REAR			
Jimmy C-10							
1973-1990	2WD	--	--	2.00"	1/2 Ton	91144	Shackles
Sierra 1500							
2014 and up	2WD	Double Cab / Crew Cab	--	2.00"		NEW 91216	Shackles and shims
2014 and up		Regular Cab	--	2.00"		NEW 91220	TBA
2014 and up		Regular Cab	--	3.00"		NEW 91221	TBA
2007-2013	2WD	Regular Cab	--	1.50"		91210	Shackles and wedges
2007-2013	2WD / 4WD	Extended Cab / Crew Cab	--	2.00"		91208	Shackles
2007-2013	4WD	Regular Cab	--	2.50"		91209	Shackles, U-bolts, and wedges
2007-2013	2WD / 4WD	Extended Cab / Crew Cab	--	2.50"		91212	Shackles, U-bolts, trans spacers, and wedges
2005-2007	2WD	Crew Cab	--	2.00"		91143	Shackles
1999-2007	2WD	Extended Cab	--	2.00"	Fits all vehicles with two piece driveshaft	91156	Shackles
1988-2006	2WD	Regular Cab / Crew Cab	--	2.00"		91143	Shackles
Sierra 2500							
1989-2004		--	--	2.00"	Light & Heavy Duty	91143	Shackles
Sierra 3500							
1989-2004		--	--	2.00"	Heavy Duty	91143	Shackles
Suburban							
1973-1998	2WD	--	--	2.00"	1/2 Ton	91144	Shackles

Lincoln

YEAR	DRIVETRAIN	CAB SIZE	LOWER		NOTES	KIT #	KIT CONTENTS
			FRONT	REAR			
Mark LT							
2006-2008	2WD / 4WD	--	--	1.50"-2.00"		91200	Shackles and shims

Toyota

YEAR	DRIVETRAIN	CAB SIZE	LOWER		NOTES	KIT #	KIT CONTENTS
			FRONT	REAR			
Tundra							
2001-2006		--	--	1.00"	Full Size	91202	Shackles



Rear Lowering Kits

Cadillac - Chevrolet

Cadillac

YEAR	DRIVETRAIN	CAB SIZE	LOWER		NOTES	KIT #	KIT CONTENTS
			FRONT	REAR			

Escalade

2015 and up	2WD / 4WD / AWD	--	--	2.00"	All vehicles with rear air suspension	NEW 91218	TBA
-------------	-----------------	----	----	-------	---------------------------------------	------------------	-----

Chevrolet

YEAR	DRIVETRAIN	CAB SIZE	LOWER		NOTES	KIT #	KIT CONTENTS
			FRONT	REAR			

Avalanche

2007-2013	2WD / 4WD	Crew Cab	--	2.50"	All vehicles without rear air suspension	91207	Rear coils and rear shocks
2000-2006		Crew Cab	--	2.50"	All vehicles without rear air suspension	1086	Rear coils, rear shocks, and sway bar spacers

Silverado 1500

2014 and up	2WD	Double Cab / Crew Cab	--	4.00"		NEW 91217	Flip kit, shackles, and hangers
2007-2013	2WD	Extended Cab / Crew Cab	--	5.00"		91211	Rear flip kit

Suburban

2015 and up	2WD / 4WD / AWD	--	--	2.00"	All vehicles with rear air suspension	NEW 91218	TBA
2015 and up	2WD	--	--	2.00"	All vehicles without rear air suspension	NEW 91222	Rear coils, coil spacers, and hardware
2007-2014	2WD / 4WD	--	--	2.50"	All vehicles without rear air suspension	91207	Rear coils and rear shocks
2000-2005		--	--	2.50"	All vehicles without rear air suspension	1086	Rear coils, rear shocks, and sway bar spacers
2000-2005	2WD / 4WD	--	--	3.00"	All vehicles without rear air suspension	1080	Rear coils and rear shocks ONLY

Tahoe

2015 and up	2WD / 4WD / AWD	--	--	2.00"	All vehicles with rear air suspension	NEW 91218	TBA
2015 and up	2WD	--	--	2.00"	All vehicles without rear air suspension	91222	Rear coils, coil spacers, and hardware
2007-2014	2WD / 4WD	--	--	2.50"	All vehicles without rear air suspension	91207	Rear coils and rear shocks
2000-2005		--	--	2.50"	All vehicles without rear air suspension	1086	Rear coils, rear shocks, and sway bar spacers



Rear Lowering Kits

Dodge - GMC

Dodge

YEAR	DRIVETRAIN	CAB SIZE	LOWER		NOTES	KIT #	KIT CONTENTS
			FRONT	REAR			

Ram 1500

2009 and up	2WD / 4WD	Regular Cab	--	2.00"		91213	Rear coils and rear shocks
2009 and up	2WD / 4WD	Crew Cab / Quad Cab	--	2.00"		91214	Rear coils and rear shocks

Ford

YEAR	DRIVETRAIN	CAB SIZE	LOWER		NOTES	KIT #	KIT CONTENTS
			FRONT	REAR			

Expedition

1997-2002		--	--	2.00"	All vehicles with non-air rear suspension	1081	Rear coils and rear shocks
-----------	--	----	----	-------	---	------	----------------------------

F-150

2009-2014		Super Cab / Super Crew	--	--		NEW 19779	Carrier bearing relocation kit
-----------	--	------------------------	----	----	--	------------------	--------------------------------

GMC

YEAR	DRIVETRAIN	CAB SIZE	LOWER		NOTES	KIT #	KIT CONTENTS
			FRONT	REAR			

Sierra 1500

2014 and up	2WD	Double Cab / Crew Cab	--	4.00"		NEW 91217	Flip kit, shackles, and hangers
2007-2013	2WD	Extended Cab / Crew Cab	--	5.00"		91211	Rear flip kit, rear shackles and hangers, and bump stops

Sierra 1500 Denali

2014 and up	2WD	Double Cab / Crew Cab	--	4.00"		NEW 91217	Flip kit, shackles, and hangers
2007-2013	2WD	Extended Cab / Crew Cab	--	5.00"		91211	Rear flip kit

Yukon

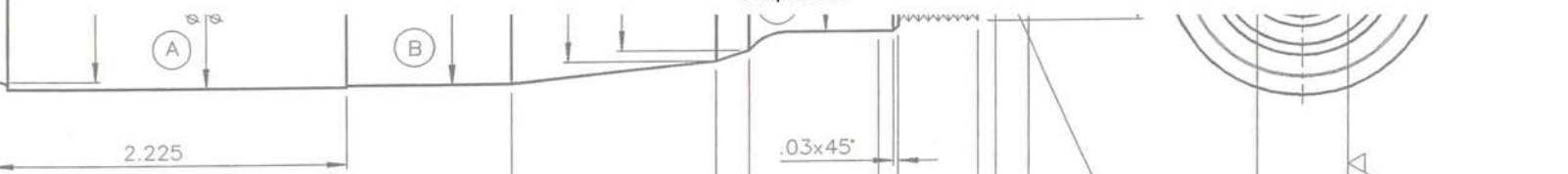
2015 and up	2WD / 4WD / AWD	--	--	2.00"	All vehicles with rear air suspension	NEW 91218	TBA
2015 and up	2WD	--	--	2.00"	All vehicles without rear air suspension	91222	Rear coils, coil spacers, and hardware
2007-2014	2WD / 4WD	--	--	2.50"	All vehicles without rear air suspension	91207	Rear coils and rear shocks
2000-2006		--	--	2.50"	All vehicles without rear air suspension	1086	Rear coils, rear shocks, and sway bar spacers

Yukon Denali

2015 and up	2WD / 4WD / AWD	--	--	2.00"	All vehicles with rear air suspension	NEW 91218	TBA
-------------	-----------------	----	----	-------	---------------------------------------	------------------	-----

Yukon XL

2015 and up	2WD / 4WD / AWD	--	--	2.00"	All vehicles with rear air suspension	NEW 91218	TBA
2015 and up	2WD	--	--	2.00"	All vehicles without rear air suspension	91222	Rear coils, coil spacers, and hardware
2007-2014	2WD / 4WD	--	--	2.50"	All vehicles without rear air suspension	91207	Rear coils and rear shocks
2000-2005	2WD / 4WD	--	--	3.00"	All vehicles without rear air suspension	1080	Rear coils and rear shocks ONLY



Rear Lowering Block Kits

All

Chevrolet

YEAR	DRIVETRAIN	CAB SIZE	LOWER		NOTES	KIT #	KIT CONTENTS
			FRONT	REAR			
S-10 Pickup							
1982-2002	2WD	--	--	1.00"		100	Rear block kit
1982-2002	2WD	--	--	2.00"		91127	Rear block kit
1982-2002	2WD	--	--	3.00"		91128	Rear block kit

Dodge

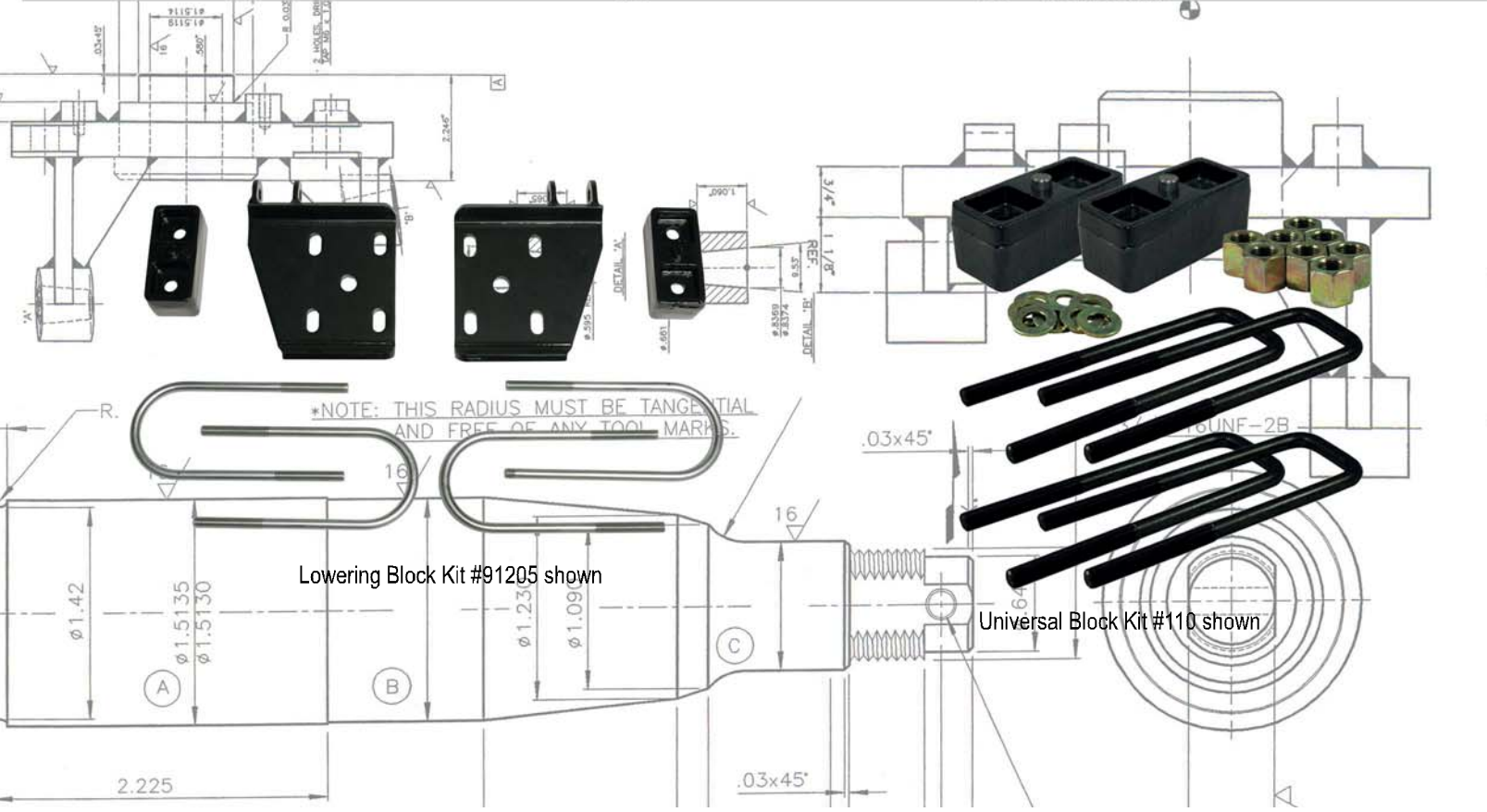
YEAR	DRIVETRAIN	CAB SIZE	LOWER		NOTES	KIT #	KIT CONTENTS
			FRONT	REAR			
Dakota							
1997-2003	2WD	--	--	2.00"	With 3" OD rear axle	91123	Rear block kit
Dakota RT							
1997-2003	2WD	--	--	2.00"	With 3.5" OD rear axle	91122	Rear block kit
1997-2003	2WD	--	--	3.00"	With 3" OD rear axle	91124	Rear block kit

Hummer

YEAR	DRIVETRAIN	CAB SIZE	LOWER		NOTES	KIT #	KIT CONTENTS
			FRONT	REAR			
Hummer H3							
2005-2008		--	--	2.00"		91205	Blocks, U-bolts, and spring plates

Universal

YEAR	DRIVETRAIN	CAB SIZE	LOWER		NOTES	KIT #	KIT CONTENTS
			FRONT	REAR			
All							
		--	--	1.00"		100	Rear block kit
		--	--	2.00"		110	Rear block kit
		--	--	3.00"		120	Rear block kit



Lowering Shocks

Applications Guide

Shock Features

Ground Force nitrogen gas-charged shocks are designed, engineered, and manufactured to critical quality standards for optimum performance.

These high-pressure, gas-charged units are specially valved per application so you can be sure they are precision matched to your vehicle.

- High Pressure Nitrogen Gas Charged - For improved ride and handling; helps maintain tire to road contact by reducing aeration.
- 1-3/8" Bore - More optimal operating pressures than standard 1" bore units.
- Urethane Bushings - Longer lasting and more durable than rubber bushings.
- 10-Stage, Full Displaced Valving - Better valving range on both the compression and extension cycles of the unit for a smooth, comfortable ride.

- Internal Bump Stops - Cushions full rebound impact.
- Sintered Iron Piston - Helps eliminate fluid "by-pass" of piston valving.
- 5/8" Diameter Rod - Heavy-duty rod for consistent control and longer service life.
- 2-3/8" Reserve Tube - (when space allows) More fluid for more consistent performance.
- Unique Seal - Designed to retain gas charge without excessive wear or friction between rod and seal.
- Double Arc Weld - For greater strength and lasting durability.

YEAR	MODEL	FRONT TO 4"	REAR TO 4" (PASS/DRIVER)	REAR TO 5" - 6" (PASS/DRIVER)	
GM	1999-2006 C-15 Chevy-GMC	70040	70042/70041#	(70042/70041 5" Only)	
	2007-2013 C-15 Ext/Crew 2WD/4WD	--	70042	--	
	2007-2013 C-15 Ext/Crew 2WD	--	--	DR 70041 PASS 70042	
	2007-2013 C-15 Reg Cab Short Bed	--	70066	70066	
	1982-2004 S-10/S-15 Pickup, Blazer/Jimmy	70028	70002/70018+	70018	
	1992-1998 1/2 Ton Suburban	70013	70018	70018/70020*	
	1988-1998 1/2 Ton C-1500 all, plus Ext Cab, SS 454 with shock extender	70013	70002	70002/70018*	
	1988-1998 3/4 Ton C-2500 Light Duty (Except 8600# GVW) with shock extender	70013	70002	70002/70018	
	C-3500/C-2500 with shock extender	--	--	70018	
	2004-2008 Canyon/Colorado/2"-3"/Z-Q8 & Z-85	--	70056	--	
	1995-1999 Tahoe/Yukon 2-Door 2WD	70013	70002	--	
	1995-1999 Tahoe/Yukon 4-Door 2WD	70013	70018	--	
	1995-1999 Tahoe/Yukon 4-Door 4WD	--	70018	--	
	1994-1999 Tahoe/Yukon 2-Door 4WD	--	70018	--	
	2007-2014 Tahoe/Yukon 2WD/4WD	--	70052	--	
	2000-2006 Tahoe/Yukon/Avalanche 4WD	70043 (2.0")	70052 (3.0")	--	
	2007-2014 Tahoe/Yukon/Avalanche/Suburban 2WD/4WD	--	70052	--	
	2000-2006 Tahoe/Yukon/Yukon XL/Avalanche/Suburban 2WD/4WD	70043	70052 (2.5")	70045 (3")	
	FORD	1985-2003 Astro/Safari Van	--	70003	--
		2009-2014 Ford F-150 2WD	--	70069	--
1997-2003 Ford F-150/Super Crew/Harley/Lightning		70026	70027	--	
1997-2003 Ford F-150 4WD		70044	70046	--	
1997-2002 Ford Expedition 4WD		70036 (2.5")	70037 (2.5")	--	
1997-2002 Ford Expedition 2WD		70026	70035	--	
2004-2008 Ford F-150 All		--	70060	70055 2WD/70064 Air Shocks	
2009-2014 Dodge 1/2 Ton All		--	Rear 3" 70070	--	
2002-2005 Dodge 1/2 Ton 4WD		70057	70051	--	
2006-2008 Dodge 1/2 Ton 4WD		--	70051	--	
DODGE	1994-2001 Dodge 3/4 Ton/1 Ton (2500-3500)	70034	--	--	
	2002-2008 Dodge Reg./Quad Cab 2WD	70050 (2.0")	70051 (5.0")	--	
	1997-2003 Dodge Dakota	70029	70003	--	
	1981-1995 Isuzu	70007	--	--	
	1996-2003 Isuzu Hombre	70028	70002	70018	
	1986-1997 Nissan	70007	--	--	
	2007-2009 Toyota Tundra	--	70067	--	
	2003-2007 Hummer H2	--	70053	--	
	2006-2008 Hummer H3	--	70063	--	

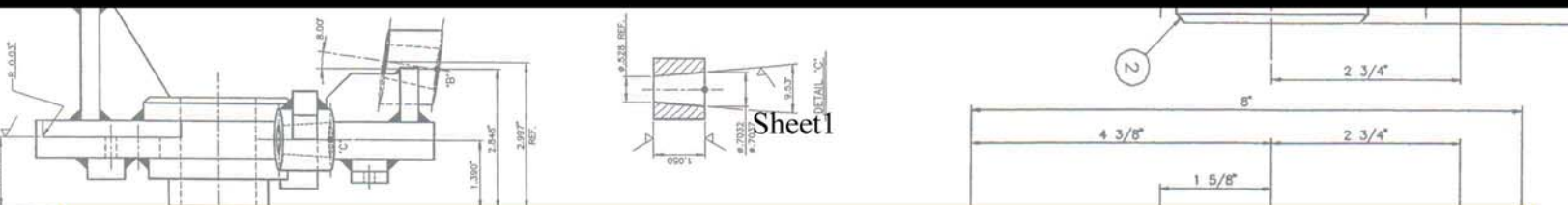
* Needs shock extender if used with other than Ground Force kit. #70002 used on both sides for C-1500 Framesaver kit.

+ Use 70018 with mono- and multi-leaves only.

1999 C-1500 with 2" shackle kit use 70042 passenger and driver.

Lowering Shocks

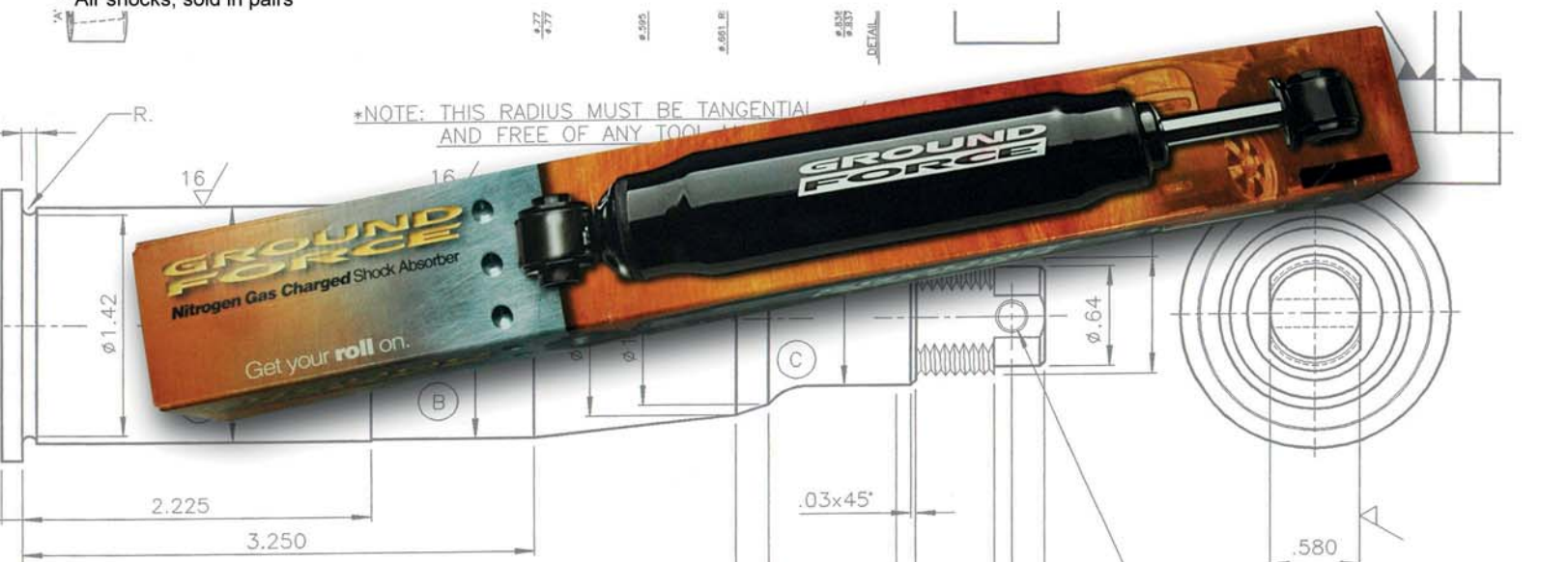
Specifications



Sheet 1

PART NUM	EXTENDED LENGTH	COLLAPSED LENGTH	UPPER MOUNT	MAJOR DIMENSION	LOWER MOUNT	MAJOR DIMENSION
70002	23.9"	14.40"	Bar Pin	2.9" Hole Center	Loop	Inside Diameter: 0.57", Length: 1.7"
70003	20.0"	12.60"	Loop	Inside Diameter: 0.51", Length: 1.6"	Loop	Inside Diameter: 0.51", Length: 1.6"
70007	13.2"	8.60"	Stem	Bushing Inside Diameter: 0.375"	Loop	Inside Diameter: 0.5", Length: 1.25"
70008	14.4"	9.60"	Loop	Bushing Inside Diameter: 0.62"	Loop	Inside Diameter: 0.5", Length: 1.4"
70010	20.2"	12.60"	Loop	Bushing Inside Diameter: 0.62"	Loop	Inside Diameter: 0.57", Length: 1.7"
70013	14.2"	9.30"	Stem	Bushing Inside Diameter: 0.375"	Bar Pin	2.5" Hole Center
70018	20.2"	12.60"	Bar Pin	2.9" Hole Center	Loop	Inside Diameter: 0.57", Length: 1.7"
70026	14.6"	10.10"	Stem	Bushing Inside Diameter: 0.5"	Bar Pin	2.5" Hole Center
70027	21.5"	13.10"	Stem	Bushing Inside Diameter: 0.375"	Loop	Inside Diameter: 0.5", Length: 1.5"
70028	13.4"	8.90"	Stem	Bushing Inside Diameter: 0.375"	Bar Pin	2.25" Hole Center
70029	13.4"	8.90"	Stem	Bushing Inside Diameter: 0.375"	Bar Pin	2.56" Hole Center
70034	14.2"	9.30"	Stem	Bushing Inside Diameter: 0.375"	Loop	Inside Diameter: 0.57", Length: 1.7"
70035	20.0"	12.60"	Loop	Inside Diameter: 0.51", Length: 1.5"	Loop	Inside Diameter: 0.51", Length: 1.5"
70037	23.8"	14.30"	Loop	Inside Diameter: 0.485", Length: 1.48"	Loop	Inside Diameter: 0.485", Length: 1.48"
70040	13.7"	9.30"	Stem	Bushing Inside Diameter: 0.375"	Bar Pin	2.54" Hole Center
70041	19.7"	12.65"	Loop	Bushing Inside Diameter: 0.57"	Loop	Bushing Inside Diameter: 0.57"
70042	23.2"	14.48"	Loop	Bushing Inside Diameter: 0.57"	Loop	Bushing Inside Diameter: 0.57"
70043	13.9"	9.93"	Stem	Bushing Inside Diameter: 0.5"	Clevis	Inside Diameter: 1.38", Bolt: 0.6"
70044	14.8"	10.12"	Stem	Bushing Inside Diameter: 0.5"	Loop	Inside Diameter: 0.510", Length: 1.562"
70045	19.9"	12.71"	Loop	Bushing Inside Diameter: 0.57", Length: 1.68"	Loop	Inside Diameter: 0.57", Length: 1.68"
70046	21.8"	13.06"	Stem	Bushing Inside Diameter: 0.375"	Loop	Inside Diameter: 0.5", Length: 1.5"
70050	13.7"	9.30"	Stem	Bushing Inside Diameter: 0.5"	Bar Pin	2.92" Hole Center
70051	23.3"	14.44"	Loop	Inside Diameter: 0.57", Length: 1.68"	Loop	Inside Diameter: 0.57", Length: 1.68"
70052	23.2"	14.47"	Loop	Inside Diameter: 0.57", Length: 1.67"	Loop	Inside Diameter: 0.57", Length: 1.67"
70053	23.2"	14.48"	Loop	Inside Diameter: 0.57", Length: 1.68"	Loop	Inside Diameter: 0.57", Length: 1.68"
70055	19.9"	13.15"	Loop	Inside Diameter: 0.48", Length: 1.48"	Loop	Inside Diameter: 0.48", Length: 1.48"
70056	19.2"	12.24"	Bar Pin	2.875" Hole Center	Loop	Inside Diameter: 0.57", Length: 1.65"
70057	14.9"	10.11"	Stem	Bushing Inside Diameter: 0.5"	Loop	Inside Diameter: 0.57", Length: 1.67"
70060	23.7"	14.44"	Loop	Inside Diameter: 0.485", Length: 1.48"	Loop	Inside Diameter: 0.485", Length: 1.48"
70063	29.8"	14.30"	Bar Pin	2.9" Hole Center	Loop	Inside Diameter: 0.57", Length: 1.7"
70064*	20.4"	12.73"	Loop	Inside Diameter: 0.48", Length: 1.48"	Loop	Inside Diameter: 0.48", Length: 1.48"
70066	21.8"	13.96"	Loop	Inside Diameter: 0.57", Length: 1.68"	Loop	Inside Diameter: 0.57", Length: 1.68"
70067	21.5"	13.10"	Stem	Bushing Inside Diameter: 0.375"	Loop	Inside Diameter: 0.5", Length: 1.5"
70069	23.9"	14.40"	Loop	Inside Diameter: 0.48", Length: 1.49"	Loop	Inside Diameter: 0.48", Length: 1.49"
70070	22.4"	14.04"	Loop	Inside Diameter: 0.57", Length: 1.68"	Loop	Inside Diameter: 0.57", Length: 1.68"

* Air shocks; sold in pairs



Leveling Kits

Chevrolet - Dodge/Ram

Cadillac

YEAR	DRIVE TRAIN	LEVEL		NOTES	KIT #	KIT CONTENTS
		FRONT	REAR			

Escalade

2002-2006	2WD / 4WD	2.00"	--	Six (6) lug applications	3814	Torsion keys
-----------	-----------	-------	----	--------------------------	------	--------------

Escalade ESV

2002-2006	2WD / 4WD	2.00"	--	Six (6) lug applications	3814	Torsion keys
-----------	-----------	-------	----	--------------------------	------	--------------

Chevrolet

YEAR	DRIVE TRAIN	LEVEL		NOTES	KIT #	KIT CONTENTS
		FRONT	REAR			

Avalanche

2007-2013	2WD / 4WD	2.00"	--	Six (6) lug applications	3812P	Urethane spacers with strut extenders
-----------	-----------	-------	----	--------------------------	-------	---------------------------------------

2000-2006	2WD / 4WD	2.00"	--	Six (6) lug applications	3814	Torsion keys
-----------	-----------	-------	----	--------------------------	------	--------------

Pick-Up C/K 1500

1988-1998	4WD	2.00"	--	Six (6) lug applications	3814	Torsion keys
-----------	-----	-------	----	--------------------------	------	--------------

Silverado C/K 1500

2014 and up	2WD / 4WD	2.00"	--	Six (6) lug applications	NEW 3840	Urethane spacers with strut extenders
-------------	-----------	-------	----	--------------------------	-----------------	---------------------------------------

2014 and up	2WD / 4WD	2.00"	1.00"	Six (6) lug applications	NEW 3841	Front urethane spacers, rear ductile iron blocks, and U-bolts
-------------	-----------	-------	-------	--------------------------	-----------------	---

2007-2013	2WD / 4WD	2.00"	--	Six (6) lug applications; Fits 2007 Silverado with new body style	3812P	Urethane spacers with strut extenders
-----------	-----------	-------	----	---	-------	---------------------------------------

2007-2013	2WD / 4WD	2.00"	1.00"	Six (6) lug applications; Fits 2007 Silverado with new body style	3813	Front urethane spacers, rear ductile iron blocks, and U-bolts
-----------	-----------	-------	-------	---	------	---

1999-2007	4WD	2.00"	--	Six (6) lug applications; Fits 2007 Silverado with classic body style	3814	Torsion keys
-----------	-----	-------	----	---	------	--------------

Silverado C/K 2500

2011 and up	2WD / 4WD	2.00"-2.50"	--	Eight (8) lug applications	3832	Front torsion keys
-------------	-----------	-------------	----	----------------------------	------	--------------------

2000-2010	2WD / 4WD	2.00"-2.50"	--	Eight (8) lug applications	3808	Torsion keys and shock extenders
-----------	-----------	-------------	----	----------------------------	------	----------------------------------

Silverado C/K 3500

2011 and up	2WD / 4WD	2.00"-2.50"	--	Eight (8) lug applications	3832	Front torsion keys
-------------	-----------	-------------	----	----------------------------	------	--------------------

2000-2010	2WD / 4WD	2.00"-2.50"	--	Eight (8) lug applications	3808	Torsion keys and shock extenders
-----------	-----------	-------------	----	----------------------------	------	----------------------------------

Chevrolet (continued)

YEAR	DRIVE TRAIN	LEVEL		NOTES	KIT #	KIT CONTENTS
		FRONT	REAR			

Suburban

2015 and up	2WD / 4WD	2.00"	--	Six (6) lug applications	NEW 3840	Urethane spacers with strut extenders
-------------	-----------	-------	----	--------------------------	-----------------	---------------------------------------

2007-2014	2WD / 4WD	2.00"	--	Six (6) lug applications	3812P	Urethane spacers with strut extenders
-----------	-----------	-------	----	--------------------------	-------	---------------------------------------

2000-2006	2WD / 4WD	2.00"	--	Six (6) lug applications	3814	Torsion keys
-----------	-----------	-------	----	--------------------------	------	--------------

Suburban 2500

2011-2012	2WD / 4WD	2.00"-2.50"	--	Eight (8) lug applications	3832	Front torsion keys
-----------	-----------	-------------	----	----------------------------	------	--------------------

2000-2010	2WD / 4WD	2.00"-2.50"	--	Eight (8) lug applications	3808	Torsion keys and shock extenders
-----------	-----------	-------------	----	----------------------------	------	----------------------------------

Suburban 3500

2000-2010	2WD / 4WD	2.00"-2.50"	--	Eight (8) lug applications	3808	Torsion keys and shock extenders
-----------	-----------	-------------	----	----------------------------	------	----------------------------------

Tahoe

2015 and up	2WD / 4WD	2.00"	--	Six (6) lug applications	NEW 3840	Urethane spacers with strut extenders
-------------	-----------	-------	----	--------------------------	-----------------	---------------------------------------

2007-2014	2WD / 4WD	2.00"	--	Six (6) lug applications	3812P	Urethane spacers with strut extenders
-----------	-----------	-------	----	--------------------------	-------	---------------------------------------

2000-2006	2WD / 4WD	2.00"	--	Six (6) lug applications	3814	Torsion keys
-----------	-----------	-------	----	--------------------------	------	--------------

Dodge/Ram

YEAR	DRIVE TRAIN	LEVEL		NOTES	KIT #	KIT CONTENTS
		FRONT	REAR			

Ram 1500

2015	4WD	2.00"	1.00"	All vehicles without rear air suspension	3821	Front urethane spacers with strut extenders and rear urethane coil spacers
------	-----	-------	-------	--	------	--

2015	4WD	2.00"	--	All vehicles without rear air suspension	3817	Urethane spacers with strut extenders
------	-----	-------	----	--	------	---------------------------------------

2002-2005	4WD	2.00"	--		3827	Front torsion keys
-----------	-----	-------	----	--	------	--------------------

1994-2001	4WD	2.00"	--		3819	Ground Force's revolutionary design front urethane/metal inner spacers
-----------	-----	-------	----	--	------	--

Ram 2500

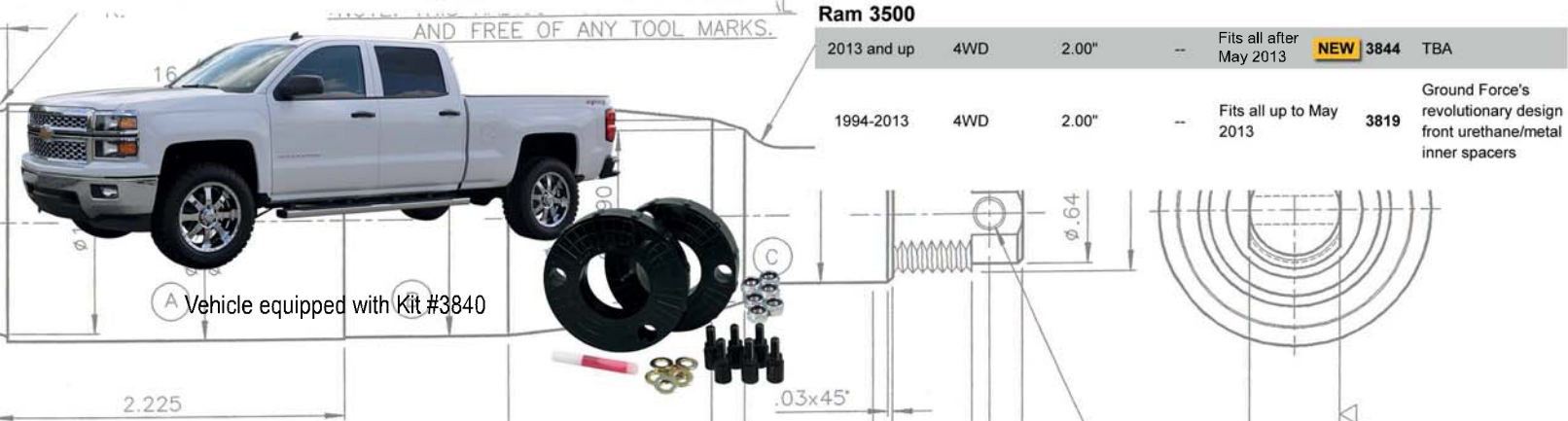
2013 and up	4WD	2.00"	--	Fits all after May 2013	NEW 3844	TBA
-------------	-----	-------	----	-------------------------	-----------------	-----

1994-2013	4WD	2.00"	--	Fits all up to May 2013	3819	Ground Force's revolutionary design front urethane/metal inner spacers
-----------	-----	-------	----	-------------------------	------	--

Ram 3500

2013 and up	4WD	2.00"	--	Fits all after May 2013	NEW 3844	TBA
-------------	-----	-------	----	-------------------------	-----------------	-----

1994-2013	4WD	2.00"	--	Fits all up to May 2013	3819	Ground Force's revolutionary design front urethane/metal inner spacers
-----------	-----	-------	----	-------------------------	------	--



Leveling Kits

Ford - GMC

Ford

YEAR	DRIVE TRAIN	LEVEL		NOTES	KIT #	KIT CONTENTS
		FRONT	REAR			

Expedition

2003-2007	2WD / 4WD	2.00"	--		3810	Urethane spacers with strut extenders
1997-2002	4WD	2.00"	--		3822	Front torsion keys

F-150

2015 and up	4WD	2.00"	1.00"		NEW 3843	Front urethane spacers, strut extenders, rear steel blocks, and U-bolts
2015 and up	4WD	2.00"	--		NEW 3842	Urethane spacers with strut extenders
2004-2014	2WD / 4WD	2.00"	--	All motors including EcoBoost	3810	Urethane spacers with strut extenders
1997-2003	4WD	2.00"	--		3822	Front torsion keys

F-250

2005-2014	4WD	2.00"	--		NEW 3833	TBA
-----------	-----	-------	----	--	-----------------	-----

F-350

2005-2014	4WD	2.00"	--		NEW 3833	TBA
-----------	-----	-------	----	--	-----------------	-----

GMC

YEAR	DRIVE TRAIN	LEVEL		NOTES	KIT #	KIT CONTENTS
		FRONT	REAR			

C/K Z-71

1988-1998	4WD	2.00"	--	Six (6) lug applications	3814	Torsion keys
-----------	-----	-------	----	--------------------------	------	--------------

Denali

2002-2006	2WD / 4WD	2.00"	--	Six (6) lug applications	3814	Torsion keys
-----------	-----------	-------	----	--------------------------	------	--------------

Denali XL

2002-2006	2WD / 4WD	2.00"	--	Six (6) lug applications	3814	Torsion keys
-----------	-----------	-------	----	--------------------------	------	--------------

Pick-Up C/K 1500

1988-1998	4WD	2.00"	--	Six (6) lug applications	3814	Torsion keys
-----------	-----	-------	----	--------------------------	------	--------------

Sierra C/K 1500

2014 and up	2WD / 4WD	2.00"	--	Six (6) lug applications	NEW 3840	Urethane spacers with strut extenders
2014 and up	2WD / 4WD	2.00"	1.00"	Six (6) lug applications	NEW 3841	Front urethane spacers, rear ductile iron blocks, and U-bolts
2007-2013	2WD / 4WD	2.00"	--	Six (6) lug applications; Fits 2007 Sierra with new body style	3812P	Urethane spacers with strut extenders
2007-2013	2WD / 4WD	2.00"	1.00"	Six (6) lug applications; Fits 2007 Sierra with new body style	3813	Front urethane spacers, rear ductile iron blocks, and U-bolts
1999-2007	4WD	2.00"	--	Six (6) lug applications; Fits 2007 Sierra with classic body style	3814	Torsion keys

Sierra C/K 2500

2011 and up	2WD / 4WD	2.00"-2.50"	--	Eight (8) lug applications	3832	Front torsion keys
2000-2010	2WD / 4WD	2.00"-2.50"	--	Eight (8) lug applications	3808	Torsion keys and shock extenders

GMC (continued)

YEAR	DRIVE TRAIN	LEVEL		NOTES	KIT #	KIT CONTENTS
		FRONT	REAR			

Sierra C/K 3500

2011 and up	2WD / 4WD	2.00"-2.50"	--	Eight (8) lug applications	3832	Front torsion keys
2000-2010	2WD / 4WD	2.00"-2.50"	--	Eight (8) lug applications	3808	Torsion keys and shock extenders

Yukon

2014 and up	2WD / 4WD	2.00"	--	Six (6) lug applications	NEW 3840	Urethane spacers with strut extenders
2007-2013	2WD / 4WD	2.00"	--	Six (6) lug applications	3812P	Urethane spacers with strut extenders
2000-2006	2WD / 4WD	2.00"	--	Six (6) lug applications	3814	Torsion keys

Yukon XL

2000-2006	2WD / 4WD	2.00"	--	Six (6) lug applications	3814	Torsion keys
-----------	-----------	-------	----	--------------------------	------	--------------

Yukon XL 2500

2011-2012	2WD / 4WD	2.00"-2.50"	--	Eight (8) lug applications	NEW 3832	Front torsion keys
2000-2010	2WD / 4WD	2.00"-2.50"	--	Eight (8) lug applications	3808	Torsion keys and shock extenders

Yukon XL 3500

2000-2010	2WD / 4WD	2.00"-2.50"	--	Eight (8) lug applications	3808	Torsion keys and shock extenders
-----------	-----------	-------------	----	----------------------------	------	----------------------------------

Nissan

YEAR	DRIVE TRAIN	LEVEL		NOTES	KIT #	KIT CONTENTS
		FRONT	REAR			

Titan

2004-2014	2WD / 4WD	2.00"	--		3825	Urethane spacers with strut extenders
-----------	-----------	-------	----	--	------	---------------------------------------

Toyota

YEAR	DRIVE TRAIN	LEVEL		NOTES	KIT #	KIT CONTENTS
		FRONT	REAR			

Tacoma

2005-2014	2WD / 4WD	2.00"	--	Six (6) lug applications	3826	Urethane spacers with strut extenders
1996-2004	2WD / 4WD	2.00"	--		3829	Urethane spacers with strut extenders

Tundra

2007 and up	2WD / 4WD	2.00"	--		3828	Urethane spacers with strut extenders
1996-2006	2WD / 4WD	2.00"	--		3829	Urethane spacers with strut extenders



GROUND FORCE

SUSPENSION SYSTEMS

PROJECT VEHICLES



WARNING
Modifying an original equipped vehicle will result in a vehicle handling differently. All types of suspension modifications will affect reaction, ride, handling and wear and tear rate of a vehicle and its components. Abrupt maneuvers, sharp and sudden turns and weather conditions will increase the vehicle's susceptibility for loss of control. Death and serious injury could be the result if you fail to operate a modified vehicle safely. Know and follow the laws of the states.

**Engineered
from the
Ground
Up!**

*NOTE: THIS RADIUS MUST BE TA...
AND FREE OF ANY TOOL...



**MADE
IN USA** 

Why get **LVL** with **GROUND FORCE**?



STRUT EXTENDERS

- MADE FROM HEAT-TREATED 4140 ALLOY STEEL
- MILITARY-GRADE BLACK ZINC COATING WITH HYDROGEN EMBRITTLEMENT RELIEF
- ROLLED (NOT CUT) THREADS FOR GREATER STRENGTH

- MADE FROM HIGH STRENGTH DUCTILE IRON MATERIAL
- SAME MATERIAL AND PROCESS AS OEM SPECIFICATIONS
- BLACK POWDER COATED FOR CORROSION RESISTANCE
- SPECIFICALLY INDEXED FOR YOUR PARTICULAR VEHICLE

TORSION BAR KEYS



URETHANE SPACERS

- SPECIFICALLY ENGINEERED POLYURETHANE FOR EXCELLENT RIDE AND ROAD NOISE ISOLATION
- MADE FROM HIGH STRENGTH MATERIAL
- RESISTS HEAT, IMPACT, OIL, AND SOLVENTS



- PROUDLY DESIGNED, ENGINEERED, AND MANUFACTURED IN THE USA
- THE HIGHEST QUALITY AT AN UNBEATABLE PRICE!

