

# S100 LED WhiteLight™ Surface Mount Dome Lamp w/ Motion Sensor

INTERIOR LIGHTING



## PRODUCT SPECIFICATIONS

### MATERIAL

Polycarbonate Housing, White

### 12V ELECTRICAL CHARACTERISTICS

Design Voltage: 14V (DC)

Total Current Draw: 500mA ± 15% @ 14V

Operating Voltage: 11V to 16V

### 24V ELECTRICAL CHARACTERISTICS

Design Voltage: 28V (DC)

Total Current Draw: 250mA ± 15% @ 28V

Operating Voltage: 22V to 30V

### RATINGS AND COMPLIANCES

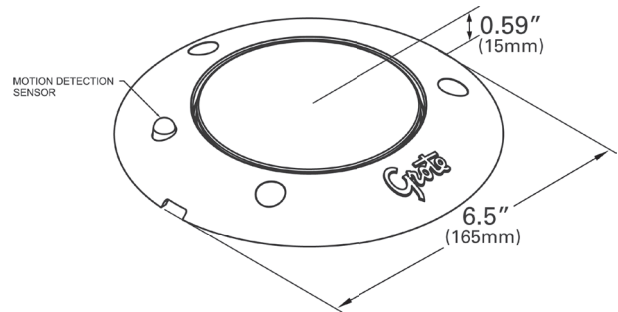
Moisture: FMVSS 108 S14.5.2

Dust: FMVSS 108 S14.5.3

Corrosion: FMVSS 108 S14.5.4

Vibration and Thermal Cycle: SAE J2139 S4.1

ECE R10, Dir. 72/245 / EEC



480 lumens of output utilizing the latest LED WhiteLight™ technology

- **High Output LEDs** - 480 lumens provides bright illumination.
- **Slim design** - Low profile at 15mm in height provides less intrusion and easy mounting.
- **PIR Sensor** - Activates lamp once detects a moving body of different temperature within 3 meters. Turns off after 3 minutes of no detection.
- **Operating Temperature** - Operates at -20°C to +50°C with PIR Sensor and -40°C to +50°C without sensor.

Part Number	Description	Light Source	Operating Temperature
61411	S100 w/Motion Sensor, 12-Volt	LED	-20°C to 50°C (-4°F to 122°F)
61421	S100 w/Motion Sensor, 24-Volt	LED	-20°C to 50°C (-4°F to 122°F)
61391	S100, 12-Volt (no sensor)	LED	-40°C to 50°C (-40°F to 122°F)
61401	S100, 24-Volt (no sensor)	LED	-40°C to 50°C (-40°F to 122°F)

