

Grote 7 Sealed Beam Replacement LED Headlamp

Product Information Sheet

FORWARD LIGHTING



PRODUCT SPECIFICATIONS

MATERIALS

Weight: 1.5 lbs

Housing Material: Die Cast Aluminum, Black Powder Coated Finish

Lens Material: Polycarbonate, Hard Coated UV resistant finish

Heat Management: Natural Convection, Heat Fins

Mounting Options: Fixed mounting via mounting pads

ELECTRONIC CHARACTERISTICS

Connector type: Automotive H4

Input Voltage: 9V-32V

Power Draw (12V):

Low Beam, 15W. High Beam, 27W

OPTICS

Light Output (Instant On Lumens | Effective Lumens):
Low Beam (600 | 291). High Beam (1085 | 767)

Lamp Efficacy (Effective lumens/ Watt):
Low Beam, 19 Lm/W. High Beam 28 Lm/W

Optical Package: Metalized Reflector, Clear Lens

RATINGS AND COMPLIANCES

FMVSS 108 Head Lamps: 2D1

Complies with SAE specs: S6.5.3 Markings, S14.4.1 Color, S14.6.1 Abrasion, S14.6.2 Chemical resistance, S14.6.3 Corrosion, S14.6.4 Connector Corrosion, S14.6.5 Dust, S14.6.6.3 Temperature Cycle, S14.6.6.4 Internal Heat, S14.6.7 Humidity, S14.6.8 Vibration, S14.6.15 Head lamp connector

BULB INTERCHANGE

6014, 6015, 6016, H6024

Use Grote LED headlamps to replace those tired, dim halogen lamps

- DOT compliant, 2D1 headlamp system is legal for all 7" (Par 56) systems, including motorcycles, passenger vehicles and commercial vehicles.
- LED headlights have color temperature most like natural sunlight. They improve the driving experience for drivers by decreasing eye fatigue and providing better detail, thus decreasing chances for accidents.
- Headlight uses a hard coated, UV protected, high impact resistant polycarbonate lens that resists cracking and yellowing.
- 9v-32v allows this lamp to be used on 12v and 24v electrical systems.
- Utilizes 3 pin, H4 connector.

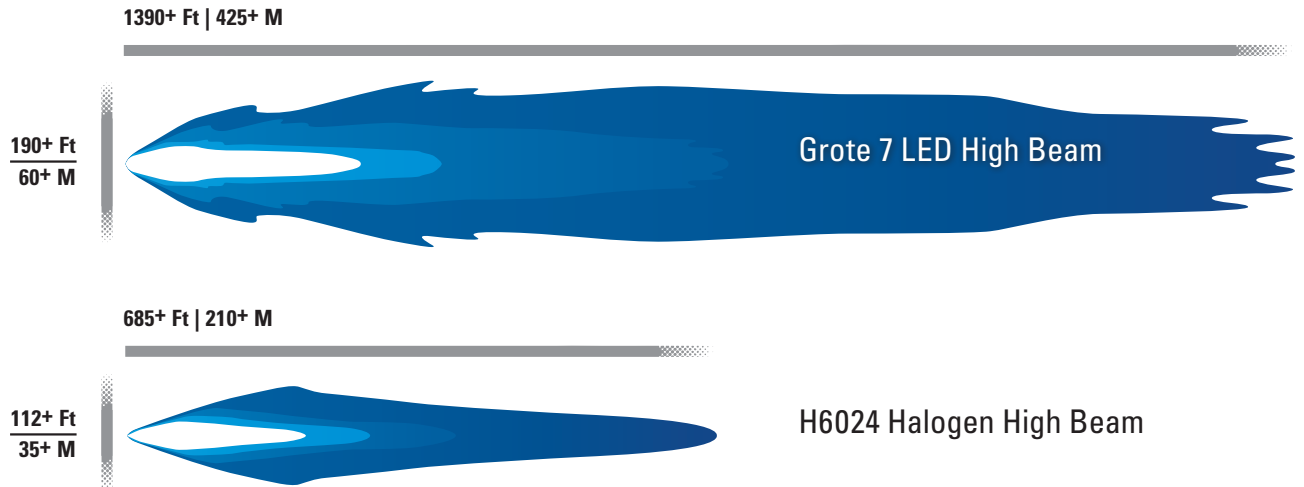
Part Number	Connector	Operating Voltage (V)	Amperage (A)
90941-5	AUTOMOTIVE H4	12V	LOW 1.14 A, HIGH 2.13 A

Grote 7 Sealed Beam Replacement LED Headlamp

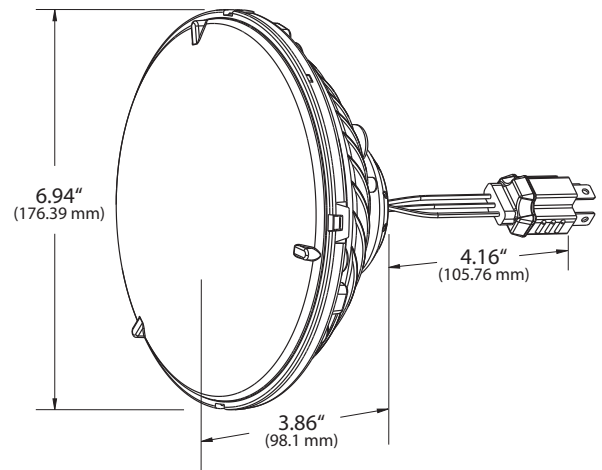
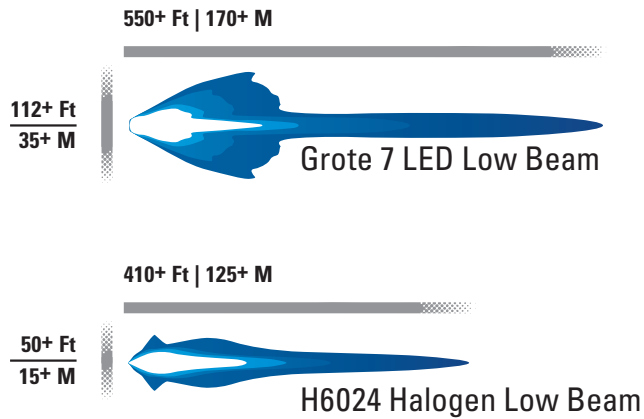
Product Information Sheet

FORWARD LIGHTING

HIGH BEAM COMPARISON



LOW BEAM COMPARISON



Learn more about headlights on our website.