

Please Note These instructions are provided as a general guideline only. Specific mounting, wiring, and/or weather-sealing may be necessary and are the sole responsibility of the installer. The manufacturer assumes no responsibility for the integrity of the installation for this or any of its products.



Please review all of the following requirements prior to installing this light. Failure to follow these safety precautions and instructions could result in damage to the product or vehicle and could result in serious injury to you and your passengers.

- Improper installation may result in serious injury, property damage, or death. The installer must have a good understanding of automotive electronics, systems, and procedures.
- If you are drilling any holes while mounting this light, please be sure to check both sides of the surface to ensure that you do not damage anything. De-burr all holes.
- Ensure that any switches used are located in an area that allows the vehicle and device to be operated safely in any driving condition.
- Use a minimum 18AWG wire for electrical connections and a 5A fuse at the power source, ensuring both positive and ground connections are dependable.
- Test the light and inspect all wiring each time you use the vehicle to ensure that it is functioning properly. If it is not functioning properly, do not operate the vehicle!!
- Use only soap and water to clean this product. Use of harsh chemicals could cause the domes to haze and may lead to diminished light output reducing the effectiveness. Do not use a power washer to clean this product.



This light uses high-intensity lights. DO NOT stare directly into the light while it is on, as momentary blindness and/or permanent eye damage may occur.

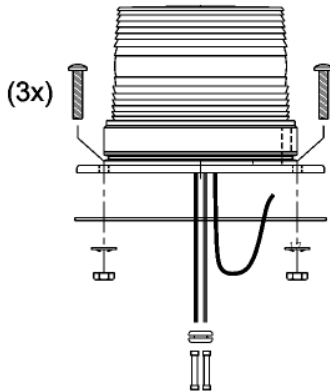
Magnet Mounting

If you are mounting the light on the roof of your vehicle, take extreme care to ensure that the magnet is firmly seated on your roof, and that the pull of the magnet is sufficient to secure the light in place. It is the sole responsibility of the owner to ensure the warning light is secure.



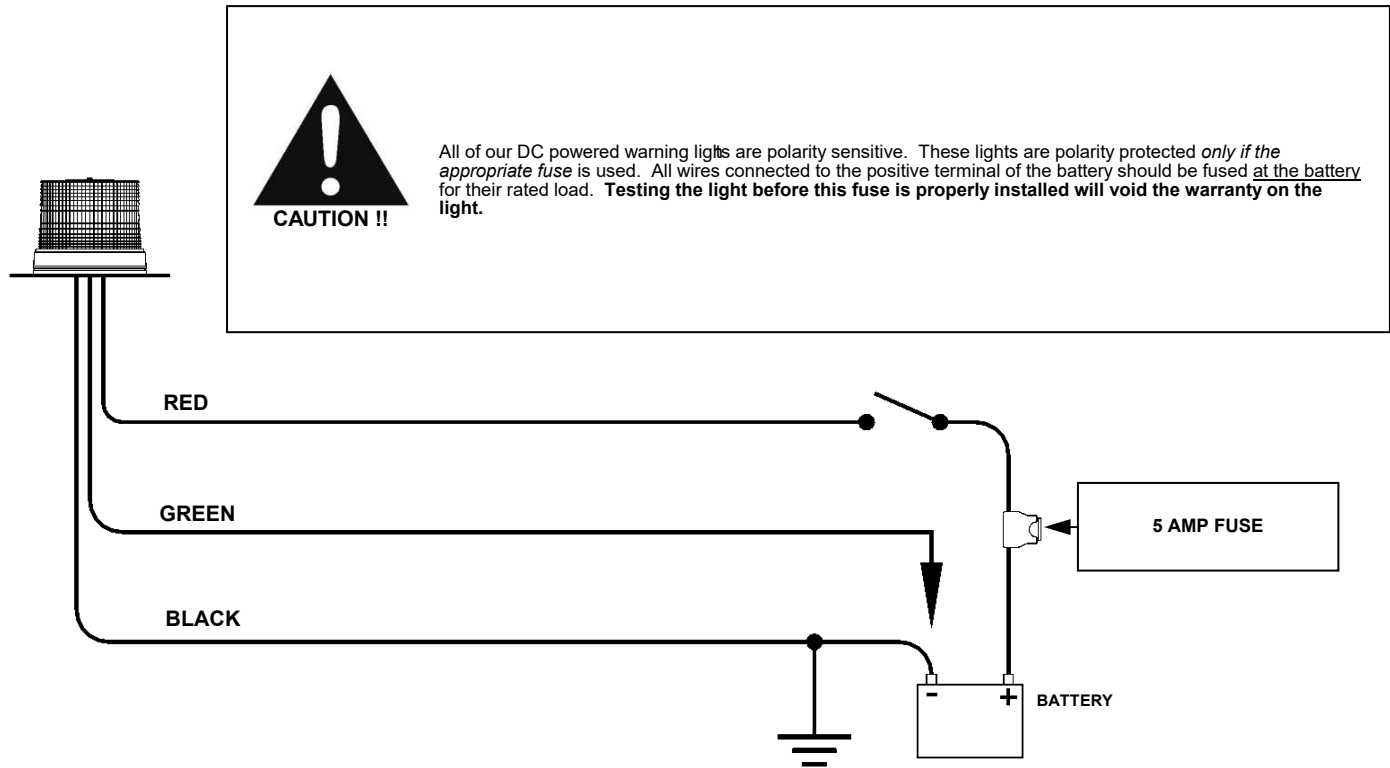
Care should be taken when routing the cig plug cord so that it does not interfere with the proper operation of the driver-side or passenger-side airbag! Failure to heed this warning may result in serious or fatal injury.

Permanent Mounting



1. Using the gasket as a template, mark the mounting holes. Mark a center hole if you will be running your wires through the mounting surface.
2. Drill 7/32" holes in the marked locations.
3. Install the wire grommet into the wire hole, if needed.
4. Route the wires and secure the light with the included hardware.

Wiring



RED: *Power* - Connect to +10-110VDC through your switch using a 5 amp fuse.

GREEN: *Pattern Select* - Touch and release to Ground to change patterns

BLACK: *Ground* - Connect to a Good Chassis Ground or the negative terminal of the battery.



Please Note: *Cig plug models are +12VDC only.*

Pattern Programming

Select a pattern by pressing the Pattern Select button on the cig plug, or touching the green wire to ground on hard-wired models.



1. Slow Singleflash
 2. Fast Singleflash
 3. Superfast Singleflash
 4. Beacon Fade
 5. Pre Pops
 6. Fast Doubleflash
 7. Superfast Doubleflash
 8. Fast Tripleflash
 9. Fast Pre-Pop Tripleflash
 10. Fast Quadflash
 11. Fast Quadflash w/Post Pop
 12. Quintflash
 13. Pre-Pop Quintflash
 14. Flicker
 15. Delta Omega
 16. Flicker-Flash
 17. Super Combo/Mix Pattern
 18. Slow Singleflash, Flicker
 19. Fast Doubleflash, Fast Quadflash w/Post Pop Mix
 20. Dual Quad w/Post Pop, Double, Quint, Quint, Flicker
 21. Fast Quadflash w/Post Pop, Tripleflash, Flicker
 22. Delta Omega, Flicker, Doubleflash
 23. Medium Singleflash †
 24. Medium Singleflash, Fast Singleflash †
 25. Cycle all patterns
 26. Steady On
 27. Steady On (Low Power)
 28. Medium Singleflash †
- † - **SAE Approved Patterns when properly configured**

Note: After programming the flash pattern, cut short and tape or cap off the Green wire so that it does not come into contact with ground or power.

Flash Pattern Shortcuts

<i>Hold For</i>	<i>Unit Blinks</i>	<i>Shortcut to</i>
3 seconds	1 time	Pattern 1
6 seconds	2 times	Pattern 10
9 seconds	3 times	Pattern 21

